
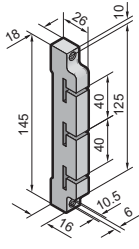


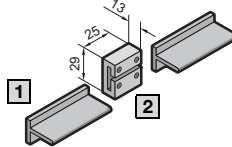







Mini-PLS busbar support


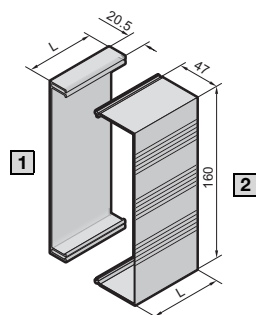





3-pole

40 mm bar centre distance Approvals:  E191125	
Model No. SV	9600.000 

Mini-PLS special busbars E-Cu and busbar connectors

Approvals:  E191125	
	[1] Busbar (bar cross-section 120 mm ² , bar thickness 3 mm) [2] Busbar connectors
Model No. SV	9601.000  9602.000  9603.000  9624.000  9611.000 
Length mm	500 700 1100 1500 –
Tightening torque Nm	– – – – max. 2

Mini-PLS contact hazard protection


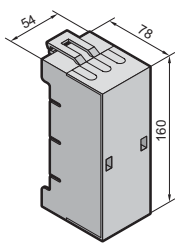
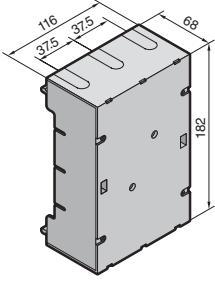


Approvals:  E191125	
	[1] Base tray [2] Cover section
Model No. SV	9605.000  9606.000  9607.000  9608.000  9609.000 
Length (L) mm	500 700 1100 250 500

Power distribution

Mini-PLS busbar system (40 mm)

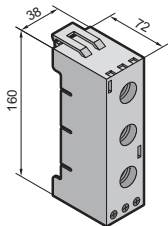
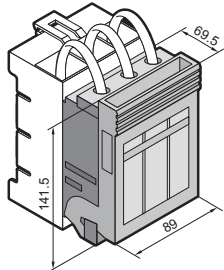
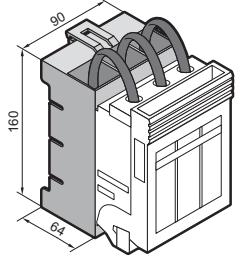
Mini-PLS busbar connection adaptors

3-pole

Cable outlet top/bottom Note: Technical information on conductor connections, see chapter 2-101, page 4 Approvals:  E191125			
	Rated current max.	63 A	250 A
Rated operating voltage	IEC	690 V AC	690 V AC
	UL	600 V AC	600 V AC
Model No. SV	9613.000 	9612.000 	
Assembly data			
Tightening torque Nm	3	6	
Terminal screw	3	6	
Connection of round conductors mm ²	1.5 – 35	10 – 120	
Clamping area for laminated copper bars W x H mm	10 x 8	17 x 15	

Mini-PLS fuse elements


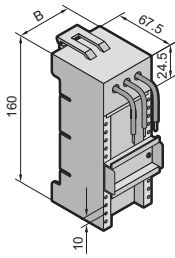
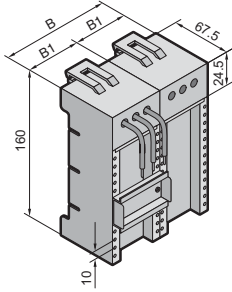
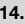






3-pole

Note: Further technical information on SV 3431.000, see chapter 2-115, page 1			
	Components	Bus-mounting fuse base	NH fuse-switch disconnecter
Fuse insert	D 02-E 18	–	–
Rated current max.	63 A	100 A	–
Rated operating voltage	400 V AC	690 V AC	–
Model No. SV	9630.000	3431.000	9629.100
Assembly data			
Tightening torque Nm	2.5	3	–
Box terminal	–	3	–
Connection of round conductors mm ²	1.5 – 16 ¹⁾	1.5 – 50	–
With connection cables mm ²	–	–	35
Clamping area for laminated copper bars W x H mm	–	10 x 10	–

¹⁾ Wire end ferrules should be used with fine and extra-fine wire conductors (f)

Mini-PLS component adaptors


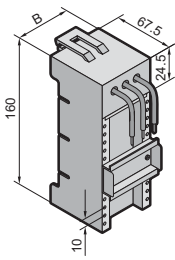
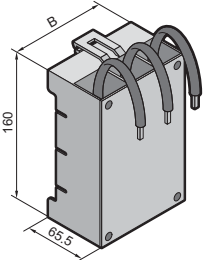

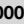



Rated current max. 12 – 25 A, 3-pole

Note: Technical information on current carrying capacity of connection cables, see chapter 2-101, page 5 Approvals:  E191125							
	Width (B) mm	45	45	45	54	54	72
Width (B1) mm	–	–	–	–	–	–	45
Rated current max.	12 A	25 A	25 A	25 A	25 A	25 A	25 A
Rated operating voltage	IEC	690 V AC	690 V AC	690 V AC	690 V AC	690 V AC	690 V AC
	UL	600 V AC	600 V AC	600 V AC	600 V AC	600 V AC	600 V AC
Connection cables ¹⁾	AWG 14	AWG 12	AWG 12	AWG 12	AWG 12	AWG 12	AWG 12
Support rails height mm	7.5	7.5	15	7.5	15	7.5	7.5
Model No. SV	9614.110 	9614.100 	9615.100 	9614.000 	9615.000 	9625.000 	9629.010 

¹⁾ AWG = American Wire Gauges · AWG 14 = 2.08 mm² ± 2.5 mm² · AWG 12 = 3.31mm² ± 4 mm²

Mini-PLS component adaptors

Rated current max. 40 – 100 A, 3-pole

Note: Technical information on current carrying capacity of connection cables, see chapter 2-101, page 5 Approvals:  E191125						
	Width (B) mm	54	54	72	72	90
Rated current max.	40 A	40 A	40 A	40 A	100 A	
Rated operating voltage	IEC	690 V AC	690 V AC	690 V AC	690 V AC	690 V AC
	UL	600 V AC	600 V AC	600 V AC	600 V AC	600 V AC
Connection cables ¹⁾	AWG 10	AWG 10	AWG 10	AWG 10	35 mm ²	
Support rails height mm	7.5	15	7.5	15	–	
Model No. SV	9616.000 	9617.000 	9627.000 	9628.000 	9629.000 	

¹⁾ AWG = American Wire Gauges · AWG 10 = 5.26 mm² ± 6 mm²