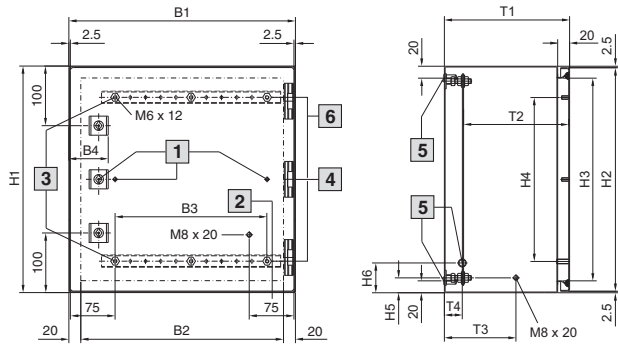


### Stainless steel, with hinged door

KEL 9401.600 – KEL 9409.600

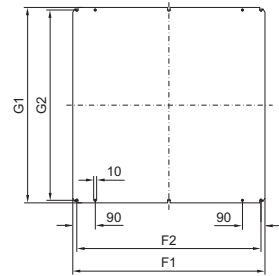
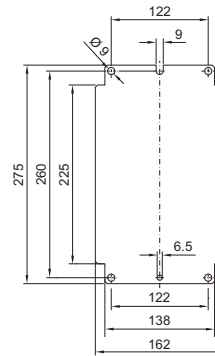


- 1 For H1 = 300/380 only one cam lock in the centre and without central bolts
- 2 50 for KEL 9401.600
- 3 Not applicable to KEL 9401.600
- 4 KEL 9408.600 only
- 5 Blind threaded bush M8
- 6 Horizontal section for enclosures ≥ 600 mm

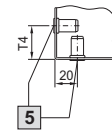
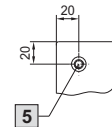
Mounting plates

KEL 9401.600

KEL 9402.600 –  
KEL 9409.600



Detail  
Rear view



Installation position  
of the mounting plate  
is rotated through 90°  
for KEL 9409.600

Model No. KEL	Dimensions of enclosures mm														Dimensions of mounting plate mm				Material thicknesses mm		
	B1	B2	B3	B4	H1	H2	H3	H4	H5	H6	T1	T2	T3	T4	F1	F2	G1	G2	Enclosure	Door	Mounting plate
9401.600	200	160	–	56	300	295	274	225	20	50	155	135	60	30	–	–	–	–	1.25	1.5	2.0
9402.600	380	340	250	66	300	295	260	225	25	50	155	113 – 129	75	30	334	295	275	250	1.38	1.5	2.0
9409.600	300	260	175	66	380	375	340	275	25	50	210	168 – 184	120	30	334	295	275	250	1.38	1.5	2.0
9403.600	380	340	250	66	380	375	340	275	42.5	50	210	168 – 184	120	30	334	295	355	330	1.38	1.5	2.5
9404.600	380	340	250	66	600	595	560	525	25	50	210	168 – 184	120	30	334	295	570	545	1.38	1.5	2.5
9405.600	600	560	500	66	600	595	560	525	27.5	50	210	168 – 184	120	30	549	510	570	545	1.38	2.0	2.5
9406.600	600	560	500	66	760	755	720	675	27.5	50	210	168 – 184	120	30	549	510	730	705	1.38	2.0	3.0
9407.600	760	720	600	66	760	755	720	675	27.5	50	300	258 – 274	120	30	704	665	730	705	1.50	2.0	3.0
9408.600	800	760	600	66	1000	995	960	925	35	50	300	258 – 274	120	30	739	700	955	930	1.50	2.0	3.0