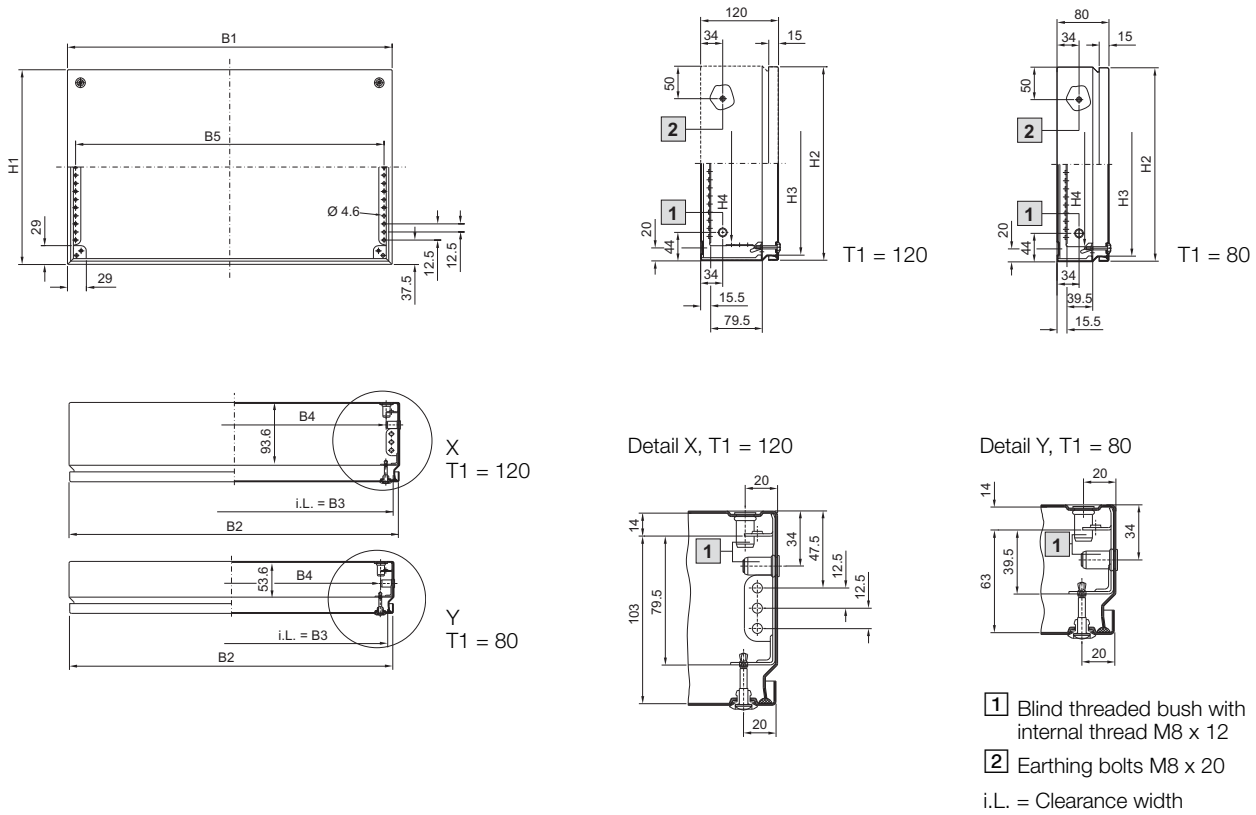


Enclosures

Ex enclosures KEL

Stainless steel, with screw-fastened cover



| Model No. KEL | 9301.000 | 9302.000 | 9303.000 | 9304.000 | 9305.000 | 9306.000 |
|--|----------|----------|----------|----------|----------|----------|
| Width (B1) mm | 150 | 300 | 200 | 300 | 400 | 300 |
| Height (H1) mm | 150 | 150 | 200 | 200 | 200 | 300 |
| Depth (T1) mm | 80 | 80 | 80 | 80 | 120 | 120 |
| B2 = Cover width | 148 | 298 | 198 | 298 | 398 | 298 |
| B3 = Clearance opening width | 132 | 282 | 182 | 282 | 382 | 282 |
| B4 = Clearance width between profile strips | 109 | 259 | 159 | 259 | 359 | 259 |
| B5 = Hole-centre distance of profile strips | 125 | 275 | 175 | 275 | 375 | 275 |
| H2 = Cover height | 148 | 148 | 198 | 198 | 198 | 298 |
| H3 = Clearance opening height | 132 | 132 | 182 | 182 | 182 | 282 |
| H4 = Clearance height between profile strips | 100 | 100 | 150 | 150 | 150 | 250 |