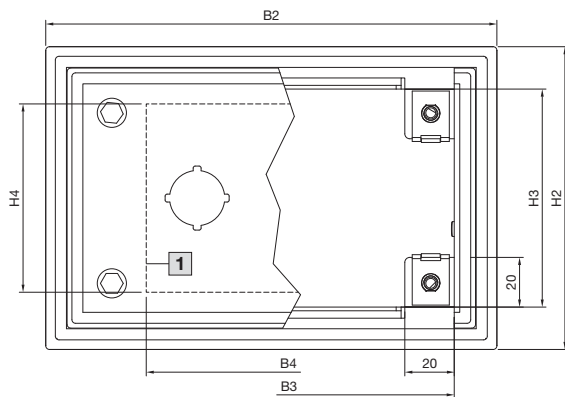
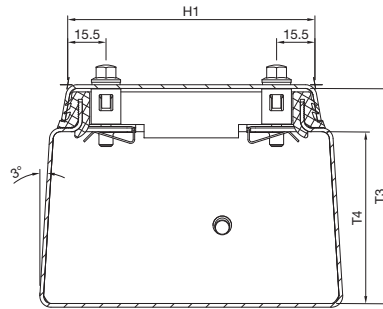
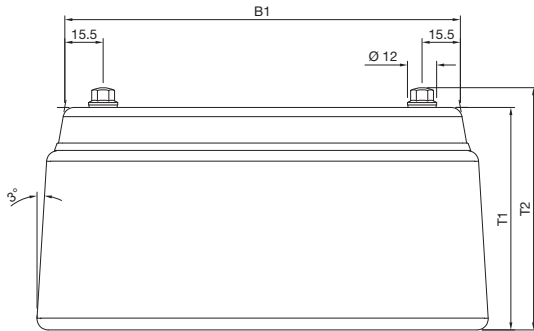


Enclosures

Hygienic Design

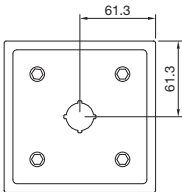
Switch housings HD



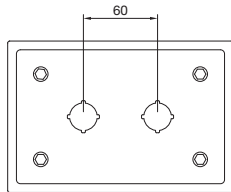
- B1 = Enclosure width, front
- B2 = Enclosure width, rear (overall width)
- B3 = Clearance width, enclosure opening
- B4 = Max. mounting width, cover
- H1 = Enclosure height, front
- H2 = Enclosure height, rear (overall height)
- H3 = Clearance height, enclosure opening
- H4 = Max. mounting height, cover
- T1 = Enclosure depth
- T2 = Enclosure depth incl. screw plug (overall depth)
- T3 = Max. mounting depth between rear panel and cover
- T4 = Max. mounting depth, enclosure

1 Max. installation area, cover

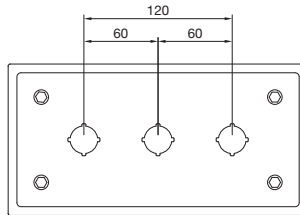
HD 1681.600



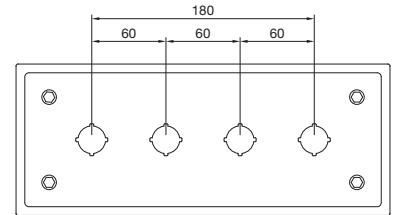
HD 1682.600



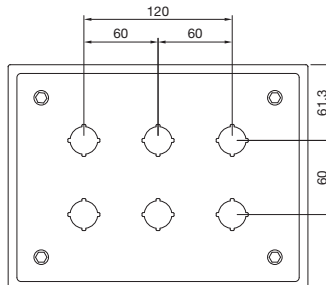
HD 1683.600



HD 1684.600

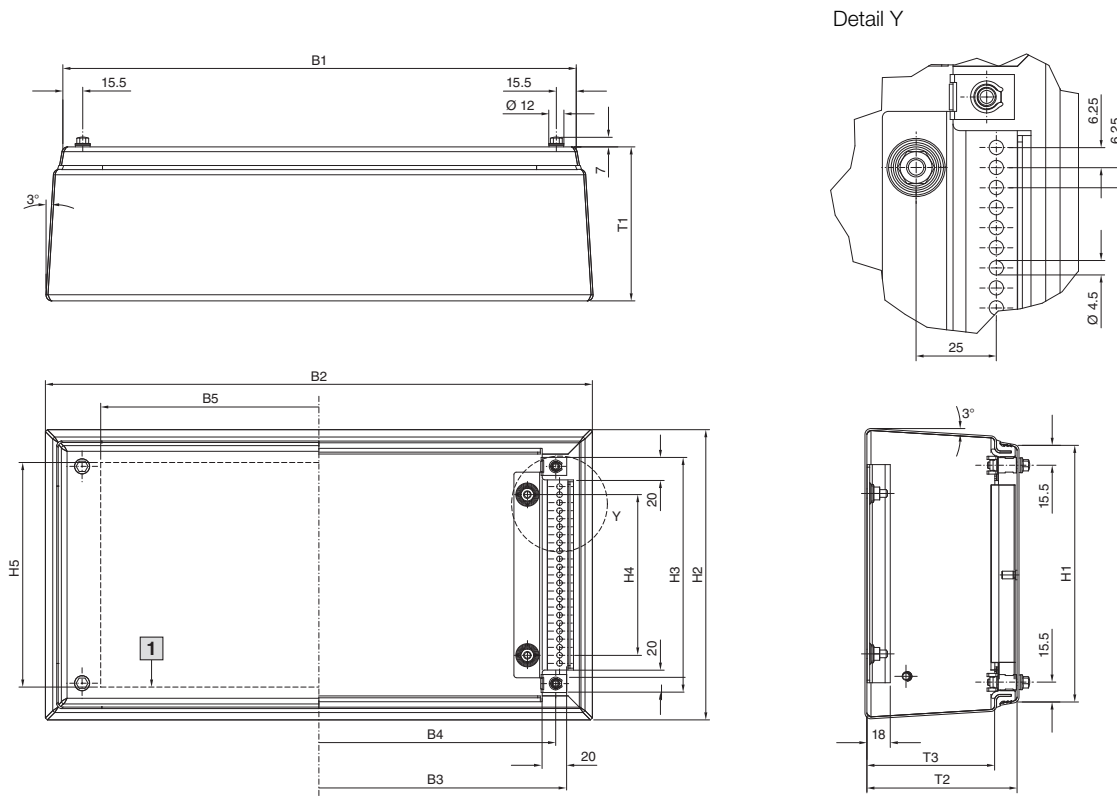


HD 1686.600



Model No. HD	No. of switches	Width dimensions mm				Height dimensions mm				Depth dimensions mm				Material thickness	
		B1	B2	B3	B4	H1	H2	H3	H4	T1	T2	T3	T4	Enclosure	Cover
1681.600	1	100	122.5	114.2	40	100	122.5	114.2	75	90	98	87	69.5	1.5	1.5
1682.600	2	160	182.5	174.2	100	100	122.5	114.2	75	90	98	87	69.5	1.5	1.5
1683.600	3	220	242.5	234.2	160	100	122.5	114.2	75	90	98	87	69.5	1.5	1.5
1684.600	4	280	302.5	294.2	220	100	122.5	114.2	75	90	98	87	69.5	1.5	1.5
1686.600	6	220	242.5	234.2	160	160	182.5	174.2	135	90	98	87	69.5	1.5	1.5

Terminal boxes HD



1 Max. installation area, cover

Model No. HD	Width dimensions mm					Height dimensions mm					Depth dimensions mm		
	B1	B2	B3	B4	B5	H1	H2	H3	H4	H5	T1	T2	T3
1670.600	150	171.3	138.2	125	90	150	171.3	138.2	75	125	80	77	59.5
1671.600	150	176.2	138.2	125	90	150	176.2	138.2	75	125	120	117	99.5
1672.600	200	226.2	188.2	175	140	200	226.2	188.2	125	175	120	117	99.5
1674.600	300	326.2	288.2	275	240	200	226.2	188.2	125	175	120	117	99.5
1675.600	400	426.2	388.2	375	340	200	226.2	188.2	125	175	120	117	99.5
1676.600	400	426.2	388.2	375	340	300	326.2	288.2	225	275	120	117	99.5

B1 = Overall width, top
 B2 = Overall width, bottom
 B3 = Clearance width
 B4 = Distance between system punchings
 B5 = Max. installation width, cover

H1 = Overall height, top
 H2 = Overall height, bottom
 H3 = Clearance height
 H4 = Distance between fastening bolts
 H5 = Max. installation height, cover

T1 = Overall depth
 T2 = Clearance depth, enclosure cover
 T3 = Clearance depth, enclosure

Enclosures

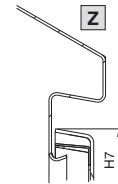
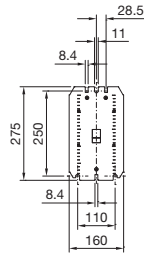
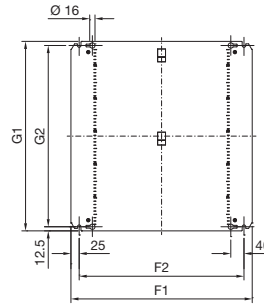
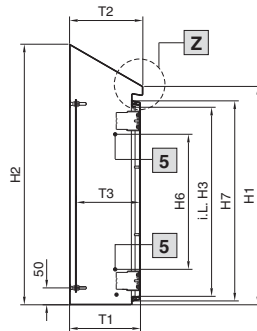
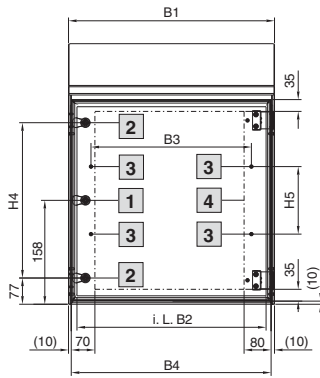
Hygienic Design

Compact enclosures HD, single-door

HD 1302.600, HD 1304.600, HD 1305.600, HD 1306.600,
HD 1307.600, HD 1308.600, HD 1310.600, HD 1311.600,
HD 1312.600, HD 1314.600, HD 1315.600, HD 1320.600

HD 1304.600, HD 1305.600,
HD 1306.600, HD 1307.600,
HD 1308.600, HD 1310.600,
HD 1311.600, HD 1312.600,
HD 1314.600, HD 1315.600,
HD 1320.600

HD 1302.600



- 1 For HD 1302.600
- 2 For HD 1304.600, HD 1305.600, HD 1306.600, HD 1307.600, HD 1308.600, HD 1310.600, HD 1311.600, HD 1312.600, HD 1314.600, HD 1315.600, HD 1320.600
- 3 For HD 1305.600, HD 1307.600, HD 1308.600, HD 1310.600, HD 1311.600, HD 1312.600, HD 1315.600
- 4 Max. installation area, door
- 5 For HD 1308.600, HD 1310.600, HD 1311.600, HD 1312.600, HD 1315.600

Enclosure

- B1 = Overall width
- B2 = Clearance width of enclosure
- B3 = Separation width of threaded bolts on the door
- B4 = Width of door
- H1 = Enclosure height, front
- H2 = Enclosure height, rear
- H3 = Clearance height of enclosure
- H4 = Spacing between fasteners
- H5 = Separation height of threaded bolts on the door
- H6 = Separation height of threaded bolts in the enclosure
- H7 = Height of door
- T1 = Depth between rear panel and door
- T2 = Overall depth
- T3 = Possible mounting depth (mounting plate assembly)

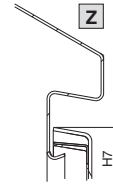
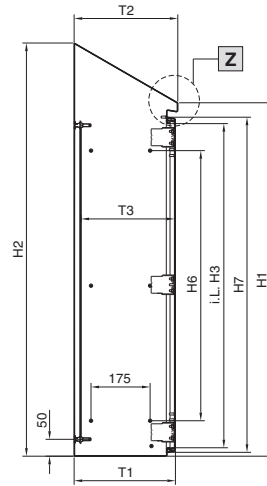
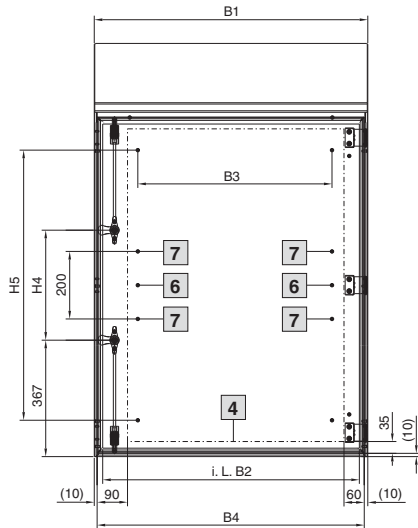
Mounting plate

- F1 = Mounting plate width
- F2 = Separation width of attachment holes
- G1 = Mounting plate height
- G2 = Separation width of attachment holes

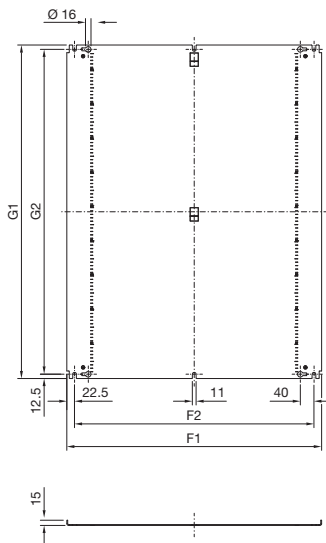
Model No. HD	Width dimensions mm				Height dimensions mm							Depth dimensions mm			Mounting plates mm				Material thickness mm		
	B1	B2	B3	B4	H1	H2	H3	H4	H5	H6	H7	T1	T2	T3	F1	F2	G1	G2	Enclosure	Door	Mounting plate
1302.600	220	170	-	200	350	437	260	-	-	-	293	155	162	135	-	-	-	-	1.5	1.5	2.0
1304.600	310	260	-	290	430	549	340	240	-	-	373	210	217	190	250	200	355	330	1.5	1.5	2.0
1305.600	390	340	275	370	550	669	460	360	200	-	493	210	217	190	330	280	475	450	1.5	1.5	2.0
1306.600	390	340	-	370	430	549	340	240	-	-	373	210	217	190	330	280	355	330	1.5	1.5	2.0
1307.600	510	460	375	490	550	669	460	360	200	-	493	210	217	190	450	400	470	450	1.5	1.5	2.5
1308.600	390	340	275	370	650	769	560	460	200	400	593	210	217	190	330	280	575	550	1.5	1.5	2.5
1310.600	610	560	475	590	650	769	560	460	200	400	593	210	217	190	550	500	575	550	1.5	2.0	2.5
1311.600	610	560	475	590	650	821	593	460	200	400	593	300	307	280	550	500	575	550	1.5	2.0	2.5
1312.600	610	560	475	590	810	981	753	620	400	400	753	300	307	280	550	500	735	710	1.5	2.0	2.5
1314.600	810	760	-	790	430	549	340	240	-	-	373	210	217	190	750	700	355	330	1.5	2.0	2.5
1315.600	810	760	675	790	650	821	560	460	200	400	593	300	307	280	750	700	575	550	1.5	2.0	2.5
1320.600	610	560	-	590	430	601	340	240	-	-	373	300	307	280	550	550	355	330	1.5	1.5	2.5

Compact enclosures HD, single-door

HD 1316.600, HD 1317.600



- 4 Max. installation area, door
- 6 For HD 1316.600
- 7 For HD 1317.600



Enclosure

- B1 = Overall width
- B2 = Clearance width of enclosure
- B3 = Separation width of threaded bolts on the door
- B4 = Width of door
- H1 = Enclosure height, front
- H2 = Enclosure height, rear
- H3 = Clearance height of enclosure
- H4 = Spacing between fasteners
- H5 = Separation height of threaded bolts on the door
- H6 = Separation height of threaded bolts in the enclosure
- H7 = Height of door
- T1 = Depth between rear panel and door
- T2 = Overall depth
- T3 = Possible mounting depth (mounting plate assembly)

Mounting plate

- F1 = Mounting plate width
- F2 = Separation width of attachment holes
- G1 = Mounting plate height
- G2 = Separation width of attachment holes

Model No. HD	Width dimensions mm				Height dimensions mm							Depth dimensions mm		
	B1	B2	B3	B4	H1	H2	H3	H4	H5	H6	H7	T1	T2	T3
1316.600	810	760	575	790	1050	1221	960	280	800	800	993	300	307	280
1317.600	810	760	575	790	1250	1421	1160	480	1000	1000	1193	300	307	280

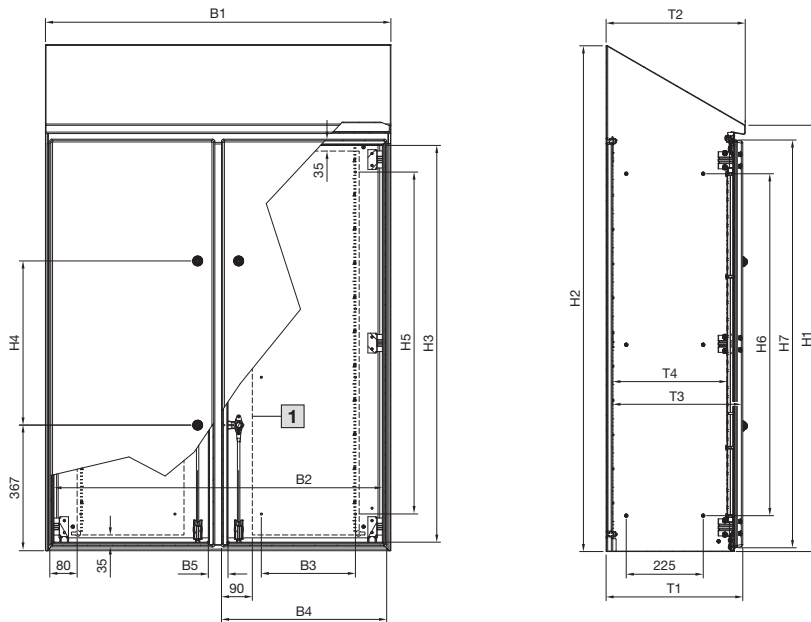
Model No. HD	Mounting plates				Material thickness mm		
	F1	F2	G1	G2	Enclosure	Door	Mounting plate
1316.600	745	700	975	950	1.5	2.0	2.5
1317.600	745	700	1175	1150	1.5	2.0	2.5

Enclosures

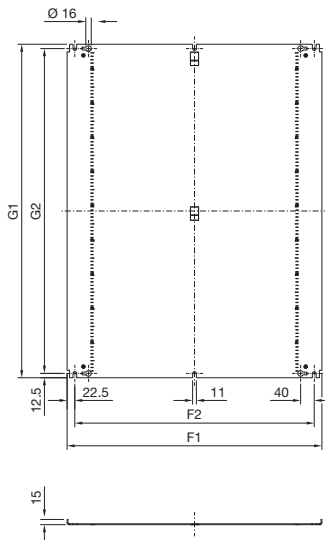
Hygienic Design

Compact enclosures HD, two-door

HD 1318.600, HD 1319.600



1 Max. installation area, door



Enclosure

- B1 = Overall width
- B2 = Clearance width of enclosure
- B3 = Separation width of threaded bolts on the door
- B4 = Width of door
- B5 = Width of centre bar
- H1 = Enclosure height, front
- H2 = Enclosure height, rear
- H3 = Clearance height of enclosure
- H4 = Spacing between fasteners
- H5 = Separation height of threaded bolts on the door
- H6 = Separation height of threaded bolts in the enclosure
- H7 = Height of door
- T1 = Depth between rear panel and door
- T2 = Overall depth
- T3 = Possible mounting depth between mounting plate and door
- T4 = Possible mounting depth between mounting plate and centre bar

Mounting plate

- F1 = Mounting plate width
- F2 = Separation width of attachment holes
- G1 = Mounting plate height
- G2 = Separation width of attachment holes

Model No. HD	Width dimensions mm					Height dimensions mm							Depth dimensions mm			
	B1	B2	B3	B4	B5	H1	H2	H3	H4	H5	H6	H7	T1	T2	T3	T4
1318.600	1010	960	275	450	60	1050	1280	960	280	800	800	993	400	407	375	330
1319.600	1010	960	275	450	60	1250	1480	1160	480	1000	1000	1193	400	407	375	330

Model No. HD	Mounting plates				Material thickness mm		
	F1	F2	G1	G2	Enclosure	Door	Mounting plate
1318.600	945	900	975	950	1.5	2.0	2.5
1319.600	945	900	1175	1150	1.5	2.0	2.5