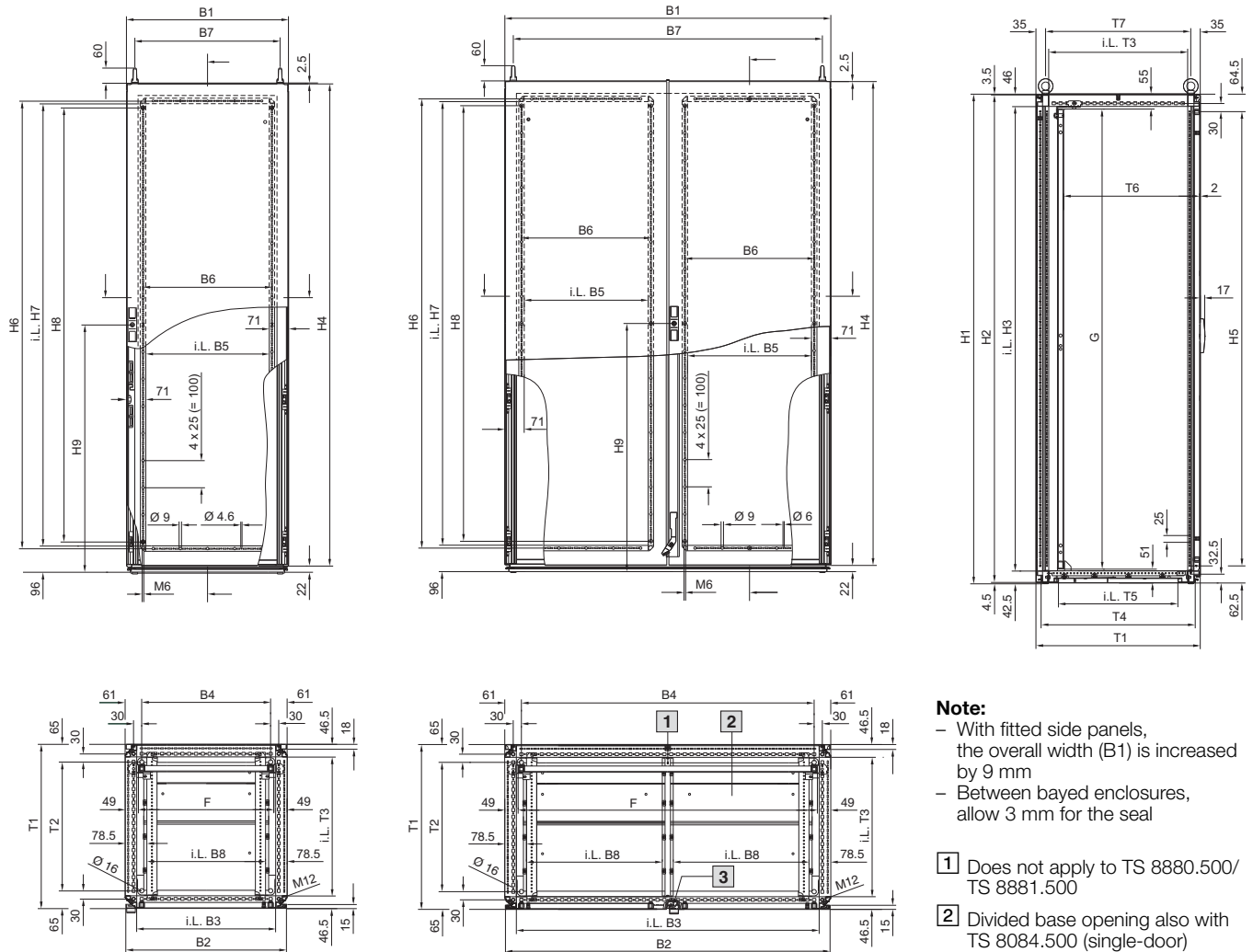


Baying systems TS 8



Note:

- With fitted side panels, the overall width (B1) is increased by 9 mm
- Between bayed enclosures, allow 3 mm for the seal

- 1** Does not apply to TS 8880.500/ TS 8881.500
- 2** Divided base opening also with TS 8084.500 (single-door)
- 3** In the vicinity of the adjacent door lock, T6 is reduced by 45 mm

i.L. = Clearance width

Double-door

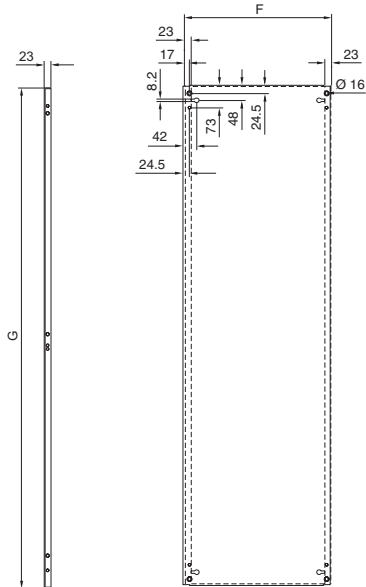
| Model No. TS | | Width dimensions mm | | | | | | | | Height dimensions mm | | | | | | | | | Depth dimensions mm | | | | | | | Mounting plates mm | |
|----------------|-----------------|---------------------|------|------|------|-----|-----|------|-----|----------------------|------|------|--------|------|------|------|------|------|---------------------|-----|-----|-----|-----|-----------|-----|--------------------|------|
| Spray-finished | Stainless steel | B1 | B2 | B3 | B4 | B5 | B6 | B7 | B8 | H1 | H2 | H3 | H4 | H5 | H6 | H7 | H8 | H9 | T1 | T2 | T3 | T4 | T5 | T6 | T7 | F | G |
| 8215.500 | - | 1197 | 1192 | 1112 | 1075 | 455 | 475 | 1135 | 500 | 1205 | 1197 | 1112 | 1177.5 | 1075 | 1050 | 1030 | 1000 | 611 | 505 | 375 | 412 | 468 | 340 | 130 - 455 | 435 | 1099 | 1096 |
| 8245.500 | - | 1197 | 1192 | 1112 | 1075 | 455 | 475 | 1135 | 500 | 1405 | 1397 | 1312 | 1377.5 | 1275 | 1250 | 1230 | 1200 | 711 | 505 | 375 | 412 | 468 | 340 | 130 - 455 | 435 | 1099 | 1296 |
| 8080.500 | - | 997 | 992 | 912 | 875 | 355 | 375 | 935 | 400 | 1805 | 1797 | 1712 | 1777.5 | 1675 | 1650 | 1630 | 1600 | 911 | 405 | 275 | 312 | 368 | 240 | 130 - 355 | 335 | 899 | 1696 |
| 8284.500 | 8456.X00 | 1197 | 1192 | 1112 | 1075 | 455 | 475 | 1135 | 500 | 1805 | 1797 | 1712 | 1777.5 | 1675 | 1650 | 1630 | 1600 | 911 | 405 | 275 | 312 | 368 | 240 | 130 - 355 | 335 | 1099 | 1696 |
| 8880.500 | - | 797 | 792 | 712 | 675 | 255 | 275 | 735 | 640 | 1805 | 1797 | 1712 | 1777.5 | 1675 | 1650 | 1630 | 1600 | 911 | 505 | 375 | 412 | 468 | 340 | 130 - 455 | 435 | 699 | 1696 |
| 8285.500 | 8453.X00 | 1197 | 1192 | 1112 | 1075 | 455 | 475 | 1135 | 500 | 1805 | 1797 | 1712 | 1777.5 | 1675 | 1650 | 1630 | 1600 | 911 | 505 | 375 | 412 | 468 | 340 | 130 - 455 | 435 | 1099 | 1696 |
| 8881.500 | - | 797 | 792 | 712 | 675 | 255 | 275 | 735 | 640 | 1805 | 1797 | 1712 | 1777.5 | 1675 | 1650 | 1630 | 1600 | 911 | 605 | 475 | 512 | 568 | 440 | 130 - 555 | 535 | 699 | 1696 |
| 8286.500 | - | 1197 | 1192 | 1112 | 1075 | 455 | 475 | 1135 | 500 | 1805 | 1797 | 1712 | 1777.5 | 1675 | 1650 | 1630 | 1600 | 911 | 605 | 475 | 512 | 568 | 440 | 130 - 555 | 535 | 1099 | 1696 |
| 8004.500 | - | 997 | 992 | 912 | 875 | 355 | 375 | 935 | 400 | 2005 | 1997 | 1912 | 1977.5 | 1875 | 1850 | 1830 | 1800 | 1011 | 405 | 275 | 312 | 368 | 240 | 130 - 355 | 335 | 899 | 1896 |
| 8204.500 | - | 1197 | 1192 | 1112 | 1075 | 455 | 475 | 1135 | 500 | 2005 | 1997 | 1912 | 1977.5 | 1875 | 1850 | 1830 | 1800 | 1011 | 405 | 275 | 312 | 368 | 240 | 130 - 355 | 335 | 1099 | 1896 |
| 8005.500 | - | 997 | 992 | 912 | 875 | 355 | 375 | 935 | 400 | 2005 | 1997 | 1912 | 1977.5 | 1875 | 1850 | 1830 | 1800 | 1011 | 505 | 375 | 412 | 468 | 340 | 130 - 455 | 435 | 899 | 1896 |
| 8205.500 | - | 1197 | 1192 | 1112 | 1075 | 455 | 475 | 1135 | 500 | 2005 | 1997 | 1912 | 1977.5 | 1875 | 1850 | 1830 | 1800 | 1011 | 505 | 375 | 412 | 468 | 340 | 130 - 455 | 435 | 1099 | 1896 |
| 8006.500 | - | 997 | 992 | 912 | 875 | 355 | 375 | 935 | 400 | 2005 | 1997 | 1912 | 1977.5 | 1875 | 1850 | 1830 | 1800 | 1011 | 605 | 475 | 512 | 568 | 440 | 130 - 555 | 535 | 899 | 1896 |
| 8206.500 | 8451.X00 | 1197 | 1192 | 1112 | 1075 | 455 | 475 | 1135 | 500 | 2005 | 1997 | 1912 | 1977.5 | 1875 | 1850 | 1830 | 1800 | 1011 | 605 | 475 | 512 | 568 | 440 | 130 - 555 | 535 | 1099 | 1896 |
| 8208.500 | - | 1197 | 1192 | 1112 | 1075 | 455 | 475 | 1135 | 500 | 2005 | 1997 | 1912 | 1977.5 | 1875 | 1850 | 1830 | 1800 | 1011 | 805 | 675 | 712 | 768 | 640 | 130 - 755 | 735 | 1099 | 1896 |
| 8226.500 | - | 1197 | 1192 | 1112 | 1075 | 455 | 475 | 1135 | 500 | 2205 | 2197 | 2112 | 2177.5 | 2075 | 2050 | 2030 | 2000 | 1111 | 605 | 475 | 512 | 568 | 440 | 130 - 555 | 535 | 1099 | 2096 |
| 8265.500 | - | 1197 | 1192 | 1112 | 1075 | 455 | 475 | 1135 | 500 | 1605 | 1597 | 1512 | 1577.5 | 1475 | 1450 | 1430 | 1400 | 811 | 505 | 375 | 412 | 468 | 340 | 130 - 455 | 435 | 1099 | 1496 |

Enclosures

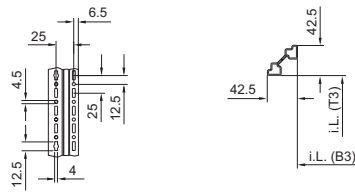
Enclosure systems

Baying systems TS 8

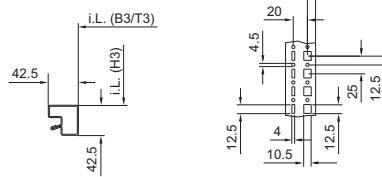
Mounting plate



Cross-sections vertical



Horizontal



i.L. = Clearance width

Enclosure

- B1 = Overall width
- B2 = Width of door
- B3 = Clearance of enclosure frame
- B4 = Section length of system punchings/ hole spacing base/plinth attachment
- B5 = Clearance of tubular door frame
- B6 = Distance between axes, tubular door frame holes
- B7 = Distance between lifting eyes
- B8 = Clearance in the base opening
- H1 = Overall height
- H2 = Height of rear panel
- H3 = Clearance of enclosure frame
- H4 = Height of door
- H5 = Section length of system punchings
- H6 = Distance between axes, tubular door frame holes
- H7 = Clearance of tubular door frame
- H8 = Distance between fastening bolts, tubular door frame
- H9 = Distance from base to centre of lock
- T1 = Overall depth
- T2 = Section length of system punchings/ hole spacing base/plinth attachment
- T3 = Clearance of enclosure frame
- T4 = Depth of base frame
- T5 = Clearance of base opening
- T6 = Poss. mounting depth (m. plate assembly) adjustable on a 25 mm pitch pattern
- T7 = Centre of lifting eye to centre of lifting eye

Mounting plate

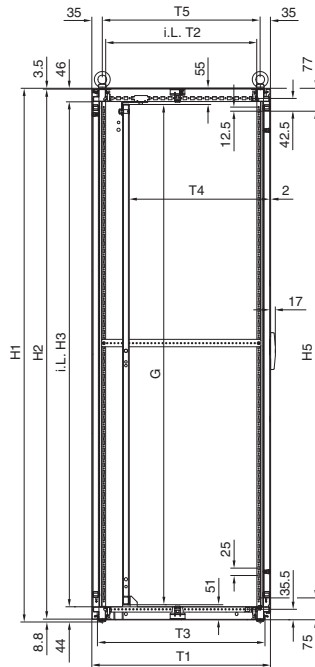
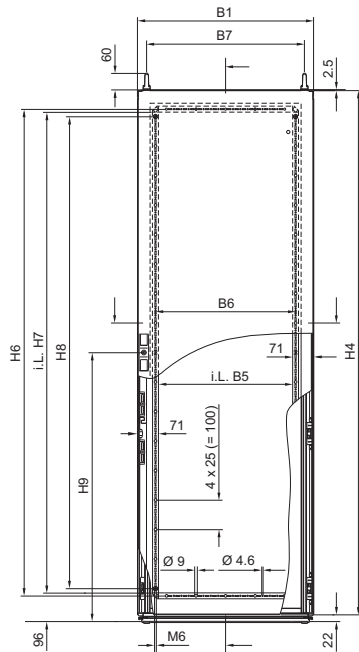
- F = Overall width
- G = Overall height

Single-door

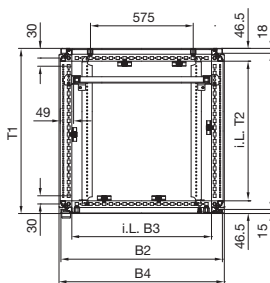
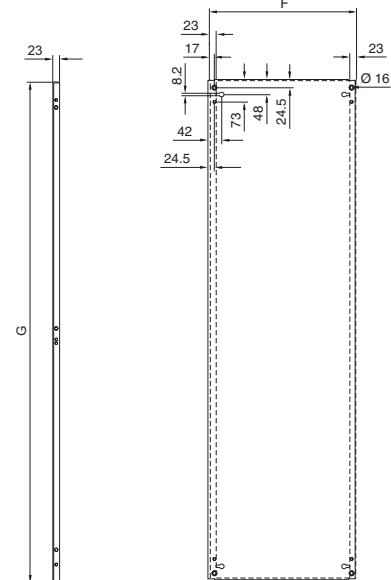
| Model No.TS | | Width dimensions mm | | | | | | | | Height dimensions mm | | | | | | | | | Depth dimensions mm | | | | | | | Mounting plates mm | |
|----------------|-----------------|---------------------|-----|-----|-----|-----|-----|-----|-----|----------------------|------|------|--------|------|------|------|------|------|---------------------|-----|-----|-----|-----|-----------|-----|--------------------|------|
| Spray-finished | Stainless steel | B1 | B2 | B3 | B4 | B5 | B6 | B7 | B8 | H1 | H2 | H3 | H4 | H5 | H6 | H7 | H8 | H9 | T1 | T2 | T3 | T4 | T5 | T6 | T7 | F | G |
| 8615.500 | - | 597 | 592 | 512 | 475 | 455 | 475 | 535 | 440 | 1205 | 1197 | 1112 | 1177.5 | 1075 | 1050 | 1030 | 1000 | 611 | 505 | 375 | 412 | 468 | 340 | 130 - 455 | 435 | 499 | 1096 |
| 8815.500 | - | 797 | 792 | 712 | 675 | 655 | 675 | 735 | 640 | 1205 | 1197 | 1112 | 1177.5 | 1075 | 1050 | 1030 | 1000 | 611 | 505 | 375 | 412 | 468 | 340 | 130 - 455 | 435 | 699 | 1096 |
| 8645.500 | - | 597 | 592 | 512 | 475 | 455 | 475 | 535 | 440 | 1405 | 1397 | 1312 | 1377.5 | 1275 | 1250 | 1230 | 1200 | 711 | 505 | 375 | 412 | 468 | 340 | 130 - 455 | 435 | 499 | 1296 |
| 8845.500 | - | 797 | 792 | 712 | 675 | 655 | 675 | 735 | 640 | 1405 | 1397 | 1312 | 1377.5 | 1275 | 1250 | 1230 | 1200 | 711 | 505 | 375 | 412 | 468 | 340 | 130 - 455 | 435 | 699 | 1296 |
| 8684.500 | - | 597 | 592 | 512 | 475 | 455 | 475 | 535 | 440 | 1805 | 1797 | 1712 | 1777.5 | 1675 | 1650 | 1630 | 1600 | 911 | 405 | 275 | 312 | 368 | 240 | 130 - 355 | 335 | 499 | 1696 |
| 8884.500 | 8454.X00 | 797 | 792 | 712 | 675 | 655 | 675 | 735 | 640 | 1805 | 1797 | 1712 | 1777.5 | 1675 | 1650 | 1630 | 1600 | 911 | 405 | 275 | 312 | 368 | 240 | 130 - 355 | 335 | 699 | 1696 |
| 8084.500 | - | 997 | 992 | 912 | 875 | 855 | 875 | 935 | 400 | 1805 | 1797 | 1712 | 1777.5 | 1675 | 1650 | 1630 | 1600 | 911 | 405 | 275 | 312 | 368 | 240 | 130 - 355 | 335 | 899 | 1696 |
| 8485.510 | - | 397 | 392 | 312 | 275 | 255 | 275 | 335 | 240 | 1805 | 1797 | 1712 | 1777.5 | 1675 | 1650 | 1630 | 1600 | 911 | 505 | 375 | 412 | 468 | 340 | 130 - 455 | 435 | - | - |
| 8685.500 | 8457.X00 | 597 | 592 | 512 | 475 | 455 | 475 | 535 | 440 | 1805 | 1797 | 1712 | 1777.5 | 1675 | 1650 | 1630 | 1600 | 911 | 505 | 375 | 412 | 468 | 340 | 130 - 455 | 435 | 499 | 1696 |
| 8885.500 | 8455.X00 | 797 | 792 | 712 | 675 | 655 | 675 | 735 | 640 | 1805 | 1797 | 1712 | 1777.5 | 1675 | 1650 | 1630 | 1600 | 911 | 505 | 375 | 412 | 468 | 340 | 130 - 455 | 435 | 699 | 1696 |
| 8486.510 | - | 397 | 392 | 312 | 275 | 255 | 275 | 335 | 240 | 1805 | 1797 | 1712 | 1777.5 | 1675 | 1650 | 1630 | 1600 | 911 | 605 | 475 | 512 | 568 | 440 | 130 - 555 | 535 | - | - |
| 8686.500 | - | 597 | 592 | 512 | 475 | 455 | 475 | 535 | 440 | 1805 | 1797 | 1712 | 1777.5 | 1675 | 1650 | 1630 | 1600 | 911 | 605 | 475 | 512 | 568 | 440 | 130 - 555 | 535 | 499 | 1696 |
| 8886.500 | - | 797 | 792 | 712 | 675 | 655 | 675 | 735 | 640 | 1805 | 1797 | 1712 | 1777.5 | 1675 | 1650 | 1630 | 1600 | 911 | 605 | 475 | 512 | 568 | 440 | 130 - 555 | 535 | 699 | 1696 |
| 8604.500 | - | 597 | 592 | 512 | 475 | 455 | 475 | 535 | 440 | 2005 | 1997 | 1912 | 1977.5 | 1875 | 1850 | 1830 | 1800 | 1011 | 405 | 275 | 312 | 368 | 240 | 130 - 355 | 335 | 499 | 1896 |
| 8804.500 | - | 797 | 792 | 712 | 675 | 655 | 675 | 735 | 640 | 2005 | 1997 | 1912 | 1977.5 | 1875 | 1850 | 1830 | 1800 | 1011 | 405 | 275 | 312 | 368 | 240 | 130 - 355 | 335 | 699 | 1896 |
| 8405.510 | - | 397 | 392 | 312 | 275 | 255 | 275 | 335 | 240 | 2005 | 1997 | 1912 | 1977.5 | 1875 | 1850 | 1830 | 1800 | 1011 | 505 | 375 | 412 | 468 | 340 | 130 - 455 | 435 | - | - |
| 8605.500 | - | 597 | 592 | 512 | 475 | 455 | 475 | 535 | 440 | 2005 | 1997 | 1912 | 1977.5 | 1875 | 1850 | 1830 | 1800 | 1011 | 505 | 375 | 412 | 468 | 340 | 130 - 455 | 435 | 499 | 1896 |
| 8805.500 | - | 797 | 792 | 712 | 675 | 655 | 675 | 735 | 640 | 2005 | 1997 | 1912 | 1977.5 | 1875 | 1850 | 1830 | 1800 | 1011 | 505 | 375 | 412 | 468 | 340 | 130 - 455 | 435 | 699 | 1896 |
| 8406.510 | - | 397 | 392 | 312 | 275 | 255 | 275 | 335 | 240 | 2005 | 1997 | 1912 | 1977.5 | 1875 | 1850 | 1830 | 1800 | 1011 | 605 | 475 | 512 | 568 | 440 | 130 - 555 | 535 | - | - |
| 8606.500 | 8452.X00 | 597 | 592 | 512 | 475 | 455 | 475 | 535 | 440 | 2005 | 1997 | 1912 | 1977.5 | 1875 | 1850 | 1830 | 1800 | 1011 | 605 | 475 | 512 | 568 | 440 | 130 - 555 | 535 | 499 | 1896 |
| 8806.500 | 8450.X00 | 797 | 792 | 712 | 675 | 655 | 675 | 735 | 640 | 2005 | 1997 | 1912 | 1977.5 | 1875 | 1850 | 1830 | 1800 | 1011 | 605 | 475 | 512 | 568 | 440 | 130 - 555 | 535 | 699 | 1896 |
| 8608.500 | - | 597 | 592 | 512 | 475 | 455 | 475 | 535 | 440 | 2005 | 1997 | 1912 | 1977.5 | 1875 | 1850 | 1830 | 1800 | 1011 | 805 | 675 | 712 | 768 | 640 | 130 - 755 | 735 | 499 | 1896 |
| 8808.500 | - | 797 | 792 | 712 | 675 | 655 | 675 | 735 | 640 | 2005 | 1997 | 1912 | 1977.5 | 1875 | 1850 | 1830 | 1800 | 1011 | 805 | 675 | 712 | 768 | 640 | 130 - 755 | 735 | 699 | 1896 |
| 8626.500 | - | 597 | 592 | 512 | 475 | 455 | 475 | 535 | 440 | 2205 | 2197 | 2112 | 2177.5 | 2075 | 2050 | 2030 | 2000 | 1111 | 605 | 475 | 512 | 568 | 440 | 130 - 555 | 535 | 499 | 2096 |
| 8826.500 | - | 797 | 792 | 712 | 675 | 655 | 675 | 735 | 640 | 2205 | 2197 | 2112 | 2177.5 | 2075 | 2050 | 2030 | 2000 | 1111 | 605 | 475 | 512 | 568 | 440 | 130 - 555 | 535 | 699 | 2096 |
| 8665.500 | - | 597 | 592 | 512 | 475 | 455 | 475 | 535 | 440 | 1605 | 1597 | 1512 | 1577.5 | 1475 | 1450 | 1430 | 1400 | 811 | 505 | 375 | 412 | 468 | 340 | 130 - 455 | 435 | 499 | 1496 |
| 8865.500 | - | 797 | 792 | 712 | 675 | 655 | 675 | 735 | 640 | 1605 | 1597 | 1512 | 1577.5 | 1475 | 1450 | 1430 | 1400 | 811 | 505 | 375 | 412 | 468 | 340 | 130 - 455 | 435 | 699 | 1496 |

Baying systems TS 8

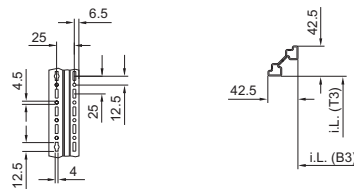
IP 66/NEMA 4, IP 66/NEMA 4X



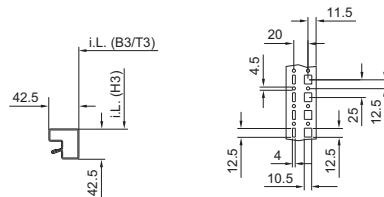
Mounting plate



Cross-sections vertical



Horizontal



- 1 Earthing
 - 2 Extra hole
- i.L. = Clearance width

Enclosure

- B1 = Overall width without side panels
- B2 = Width of door
- B3 = Clearance of enclosure frame
- B4 = Overall width with side panels
- B5 = Clearance of tubular door frame
- B6 = Distance between axes, tubular door frame holes
- B7 = Distance between lifting eyes

- H1 = Overall height
- H2 = Height of rear panel
- H3 = Clearance of enclosure frame
- H4 = Height of door
- H5 = Section length of system punchings
- H6 = Distance between axes, tubular door frame holes
- H7 = Clearance of tubular door frame
- H8 = Distance between fastening bolts, tubular door frame
- H9 = Distance from base to centre of lock

- T1 = Overall depth
- T2 = Clearance of enclosure frame
- T3 = Depth of base frame
- T4 = Poss. mounting depth (m. plate assembly) adjustable on a 25 mm pitch pattern
- T5 = Centre of lifting eye to centre of lifting eye

Mounting plate

- F = Overall width
- G = Overall height

Single-door

| Model No. TS | | Width dimensions mm | | | | | | | Height dimensions mm | | | | | | | | | Depth dimensions mm | | | | | Mounting plates mm | |
|--------------|---------------|---------------------|-----|-----|-----|-----|-----|-----|----------------------|------|------|--------|------|------|------|------|------|---------------------|-----|-----|---------------|-----|--------------------|------|
| IP 66 NEMA 4 | IP 66 NEMA 4X | B1 | B2 | B3 | B4 | B5 | B6 | B7 | H1 | H2 | H3 | H4 | H5 | H6 | H7 | H8 | H9 | T1 | T2 | T3 | T4 | T5 | F | G |
| 8806.580 | 8450.680 | 797 | 792 | 712 | 806 | 655 | 675 | 735 | 2009.3 | 1997 | 1912 | 1977.5 | 1850 | 1850 | 1830 | 1800 | 1011 | 605 | 512 | 568 | 126.5 – 556.5 | 535 | 699 | 1896 |