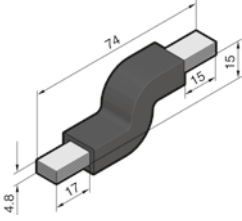


# Power distribution

## RiLine accessories: for circuit-breaker component adaptors

### Connection bracket

For circuit-breaker component adaptors	
Dimensions <sup>1)</sup> mm	6 x 9 x 0.8
<b>Model No. SV</b>	<b>9342.570</b>

<sup>1)</sup> Number of lamina x lamina width x lamina thickness