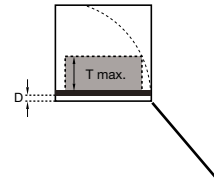
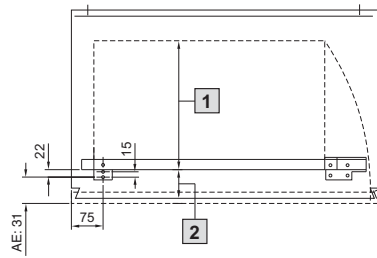
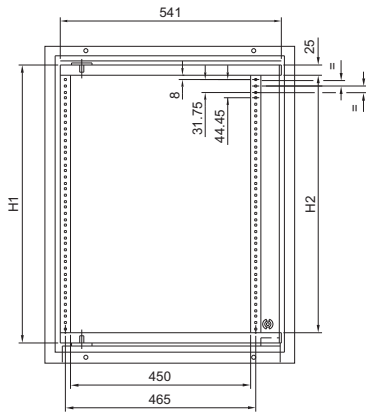


### Compact swing frames for AE



- 1 T = max. installation depth (see table)
- 2 D = 38 (53, 68, 83)

For compact enclosure AE			Height units	6 U	11 U	14 U
Enclosure		Max. installation depth (T max.) mm	<b>Model No. SR</b>	<b>2026.200</b>	<b>2027.200</b>	<b>2034.200</b>
Width mm	Depth mm		For enclosure height mm			
			H1 (mm)	320	542	676
			H2 (mm)	270	492	626
600	210	145	Spray-finished	1039.500	1060.500	1076.500
			Stainless steel	1009.600	1010.600	1012.600
600	350	265	Spray-finished	1339.500	1360.500	1376.500
760	210	145	Spray-finished	-	-	1077.500
760	300	235	Spray-finished	-	-	1073.500
			Stainless steel	-	-	1014.600