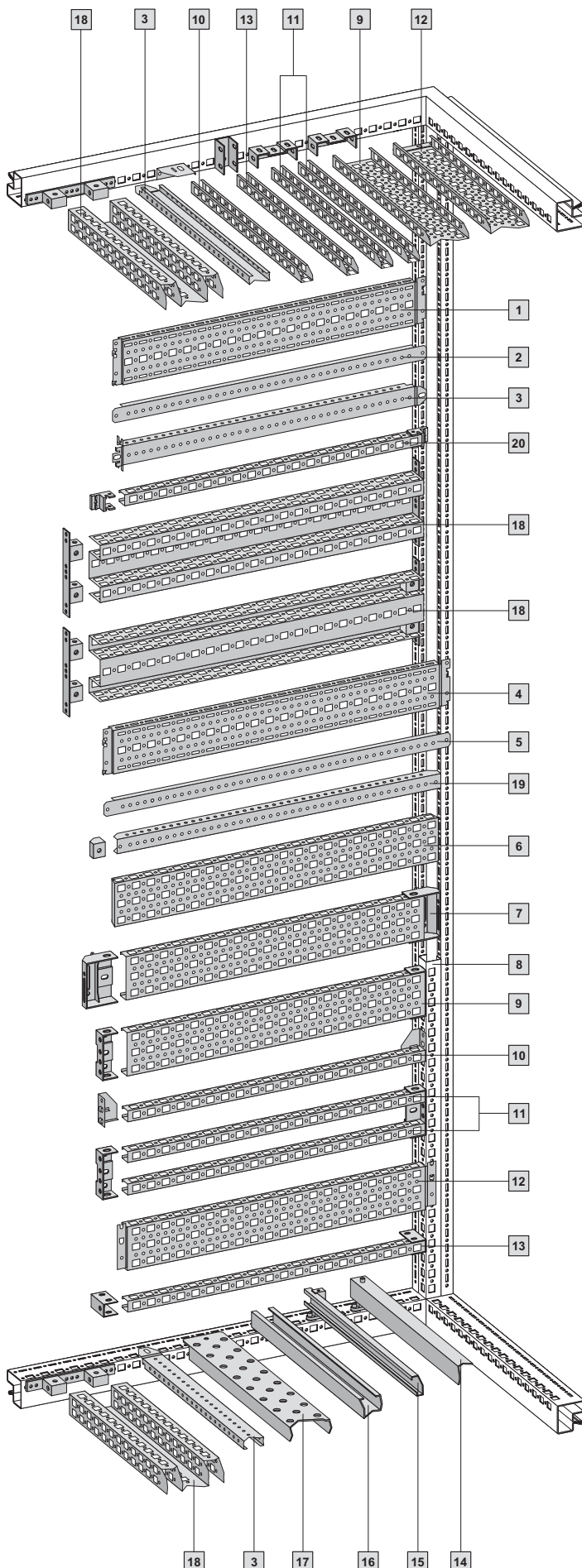


# System accessories

## Interior installation



## Roof installation

Punched sections and rails may be mounted on the horizontal enclosure sections in both the width and depth.

### Installation accessories

- |    |  |
|----|--|
| 1  | TS punched section with mounting flange<br>17 x 73 mm for the outer level  |
| 2  | TS support strip for the outer level   |
| 3  | TS punched rail 18 x 38 mm <sup>1)</sup><br>for the<br>■ outer level<br>■ horizontal enclosure sections<br>■ adaptor rail for PS compatibility |
| 4  | TS punched section with mounting flange<br>17 x 73 mm for the inner level  |
| 5  | TS support strip for the inner level   |
| 6  | TS punched section with mounting flange<br>23 x 73 mm for the inner level  |
| 7  | PS punched section without mounting flange<br>23 x 73 mm, with support bracket TS (alternatively<br>with one or two punched rails 23 x 23 mm)  |
| 8  | Adaptor rail for PS compatibility  |
| 9  | PS punched section without mounting flange<br>23 x 73 mm with support bracket PS   |
| 10 | PS punched rail 23 x 23 mm with angle bracket  |
| 11 | PS punched rails 23 x 23 mm<br>with support bracket PS (alternatively with one or two<br>punched rails 23 x 23 mm)                             |
| 12 | PS punched section with mounting flange,<br>23 x 73 mm   |
| 13 | PS punched rail 23 x 23 mm<br>with mounting bracket PS   |
| 14 | Cable clamp rail   |
| 15 | C rails 30/15 with bracket/spacer  |
| 16 | System support rails   |
| 17 | Support rail   |
| 18 | TS punched section without mounting flanges,<br>45 x 88 mm   |
| 19 | TS punched rail 25 x 38 mm with snap-on nut  |
| 20 | PS punched rail 23 x 23 mm<br>with mounting bracket TS   |

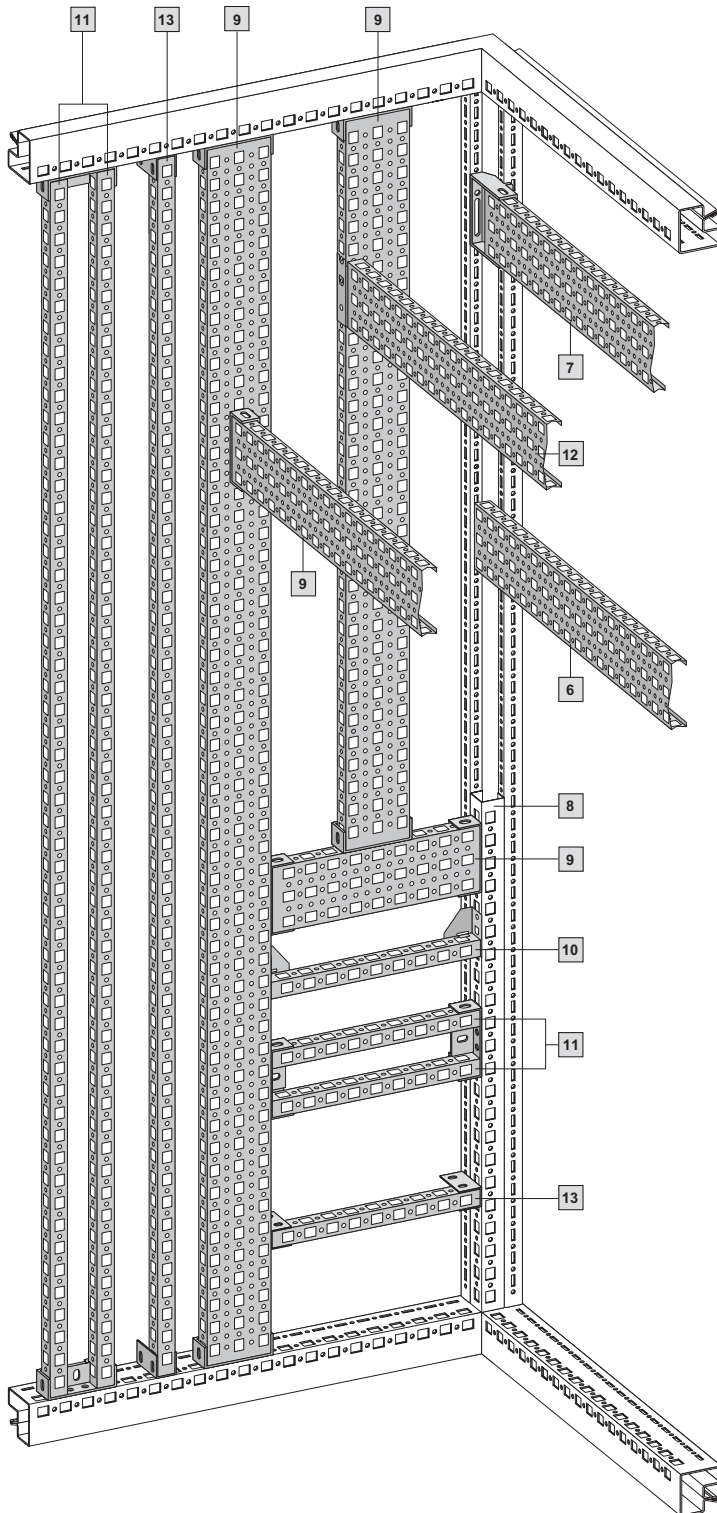
<sup>1)</sup> Two TS punched rails 18 x 38 mm are included in the supply of enclosures with a mounting plate as an installation aid. After installing the mounting plate, the TS punched rail may be inserted, as shown here.

## Base installation

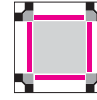
Punched sections and rails may be mounted on the horizontal enclosure sections in both the width and depth.

Attachment may be made at any point in the TS 8 enclosure space. Not only with horizontal rail installations directly between the TS sec-

tions, but by combining vertical and horizontal rails, any given mounting level in the width, height and depth may be achieved.



### Vertical mounting levels – PS compatible

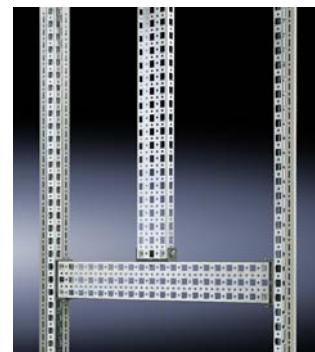


The basis for a second mounting level across the entire enclosure height is quickly achieved, e.g. with two PS punched sections without mounting flanges 23 x 73 mm **9**. Between these two sections, configuration may be achieved with PS punched rails **10**, **11** and **13**, with PS punched sections without mounting flanges **9** and PS punched sections with mounting flanges **12**. When using the adaptor rail for PS compatibility **8**, installation is easily achieved across a suitable sub-height, or with suitable enclosure dimensions, across a sub-width or sub-depth.

#### Installation accessories

(Consecutive numbering in accordance with diagram on page 5-108, page 1)

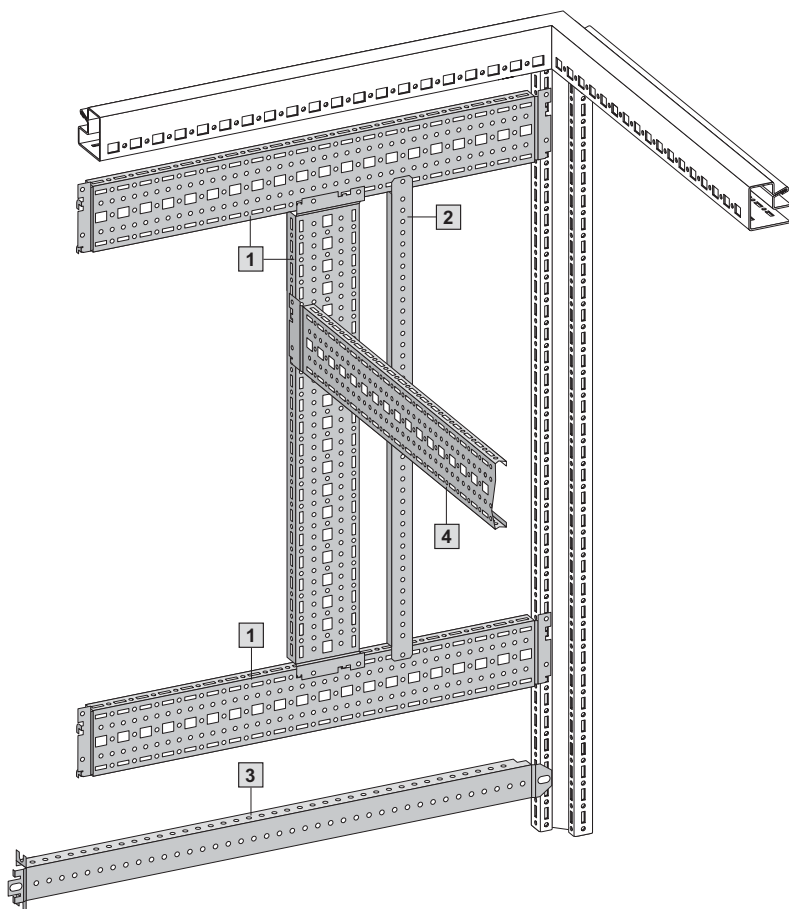
- |           |   |
|-----------|---|
| <b>6</b>  | TS punched section with mounting flange 23 x 73 mm for the inner level  |
| <b>7</b>  | PS punched section without mounting flange 23 x 73 mm, with support bracket TS (alternatively with one or two punched rails 23 x 23 mm) |
| <b>8</b>  | Adaptor rail for PS compatibility   |
| <b>9</b>  | PS punched section without mounting flange 23 x 73 mm with support bracket PS   |
| <b>10</b> | PS punched rail 23 x 23 mm with angle bracket   |
| <b>11</b> | PS punched rails 23 x 23 mm with support bracket PS (alternatively with one or two punched rails 23 x 23 mm)                            |
| <b>12</b> | PS punched section with mounting flange, 23 x 73 mm   |
| <b>13</b> | PS punched rail 23 x 23 mm with mounting bracket PS   |



If PS punched rails or PS punched sections without mounting flanges are installed vertically on roof or base frames, a PS rail is also required for horizontal sub-division.

# System accessories

## Interior installation



### Vertical outer mounting level



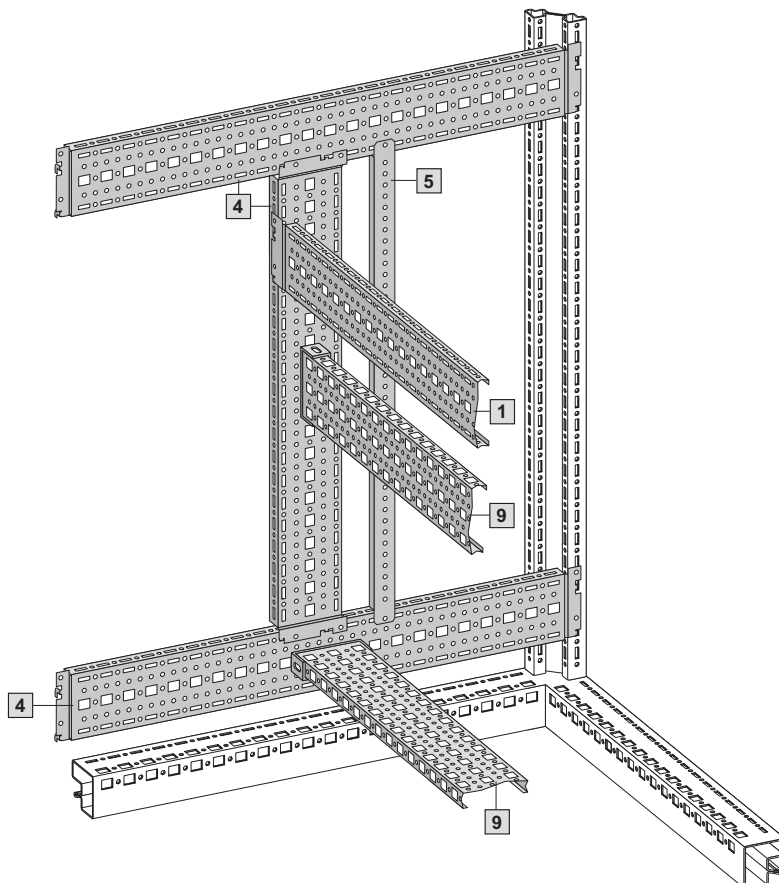
Optimum space utilisation and super-fast assembly by mounting the TS punched section with mounting flange directly onto the outer level of the TS 8 vertical section. Simply snap into position and secure!

#### Installation accessories

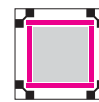
(Consecutive numbering in accordance with diagram on page 5-108, page 1)

- 1** TS punched section with mounting flange 17 x 73 mm for the outer level
- 2** TS support strip for the outer level
- 3** TS punched rail 18 x 38 mm<sup>1)</sup> for the
  - outer level
  - horizontal enclosure sections
  - adaptor rail for PS compatibility
- 4** TS punched section with mounting flange 17 x 73 mm for the inner level

<sup>1)</sup> Two TS punched rails 18 x 38 mm are included in the supply of enclosures with a mounting plate as an installation aid. After installing the mounting plate, the TS punched rail may be inserted, as shown here.



### Vertical inner mounting level



Separate utilisation of the inner level of the TS 8 vertical section, irrespective of the outer level, creates additional opportunities. Even in one enclosure, all installation systems may complement one another perfectly for brand new, customer-specific solutions. Infinite possibilities! Simply snap into position, secure, and voila! Super-fast assembly by mounting the TS punched section with mounting flange directly onto the inner level of the TS 8 vertical section.

#### Installation accessories

(Consecutive numbering in accordance with diagram on page 5-108, page 1)

- 1** TS punched section with mounting flange 17 x 73 mm for the outer level
- 4** TS punched section with mounting flange 17 x 73 mm for the inner level
- 5** TS support strip for the inner level
- 9** PS punched section without mounting flange 23 x 73 mm with support bracket PS

