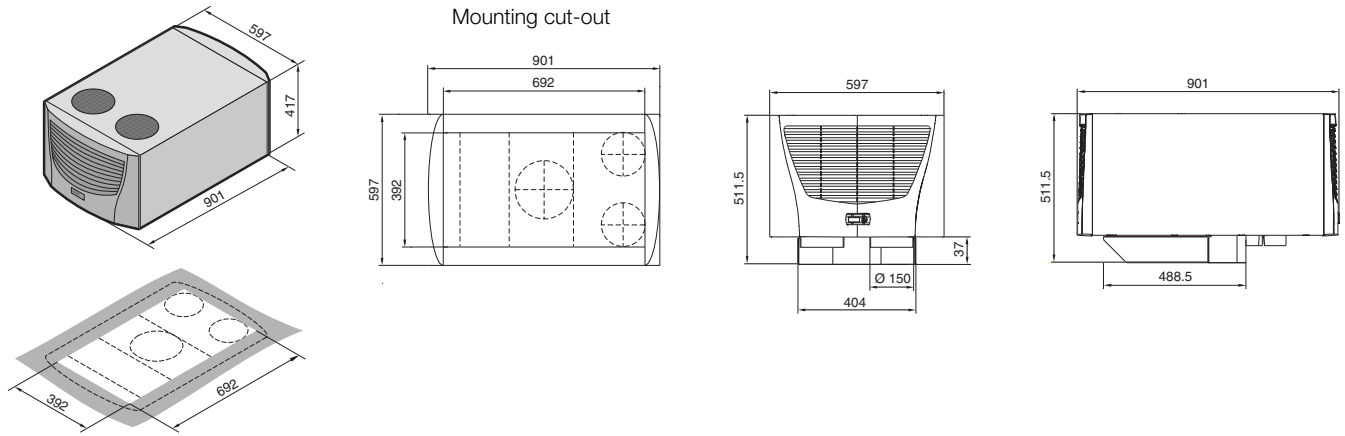


IT infrastructure

IT cooling

Roof-mounted cooling units

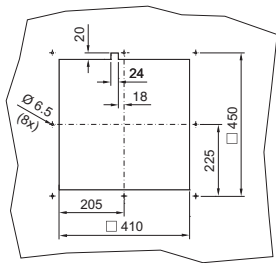
TopTherm "Blue e", useful cooling output 3000 W



Roof-mounted fans

For TS in the office sector, air throughput 1500 m³/h

Mounting cut-out
only required for fans without roof plate



Fan cross member

Air throughput (unimpeded air flow) 600 m³/h

