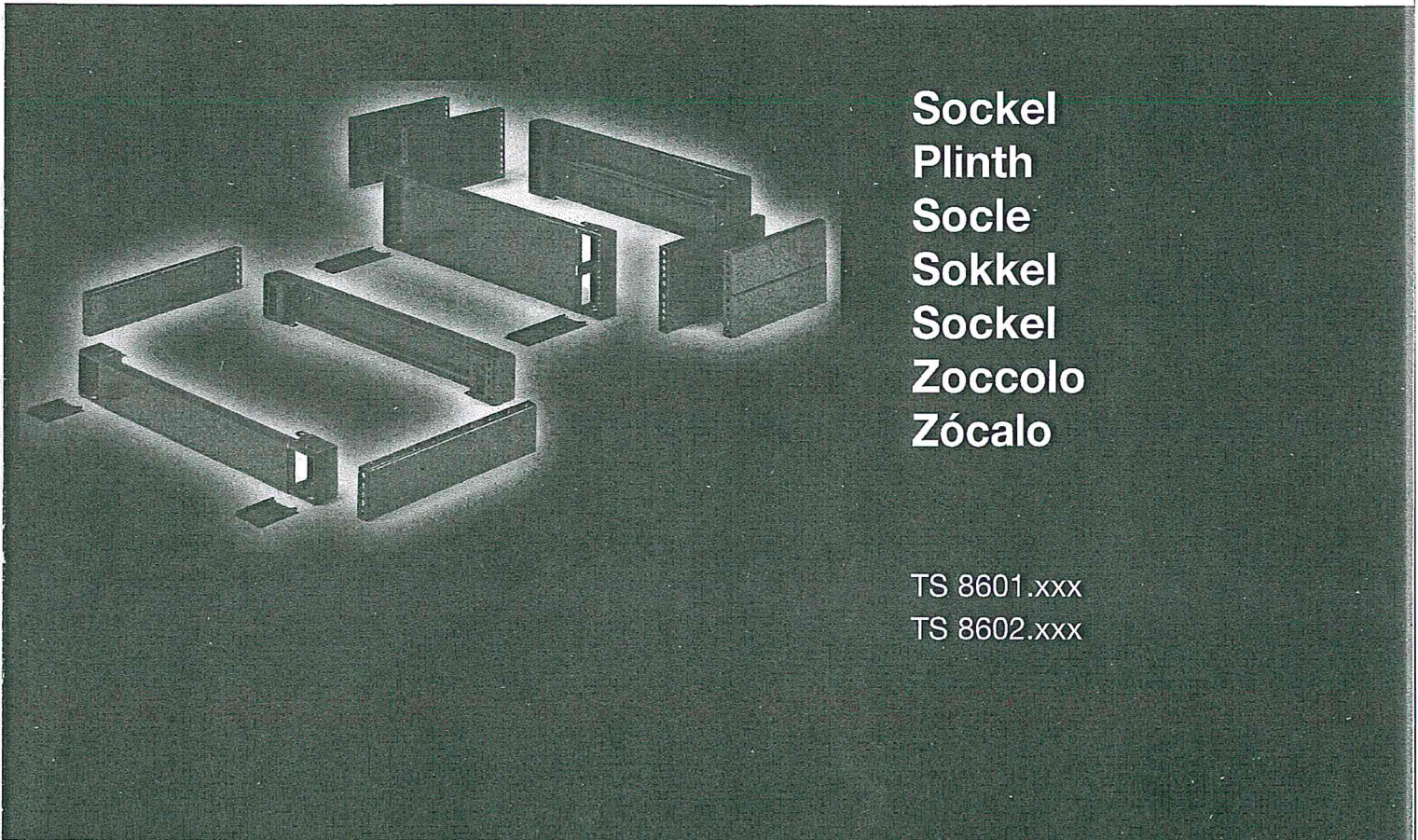


# Rittal – The System.

Faster – better – worldwide.



Socket  
Plinth  
Socle  
Sokkel  
Socket  
Zoccolo  
Zócalo

TS 8601.xxx

TS 8602.xxx

**Montage-, Installations- und Bedienungsanleitung**

**Assembly and operating instructions**

**Manuel d'installation et de maintenance**

**Montage- en bedieningshandleiding**

**Montage- och hanteringsanvisning**

**Istruzioni di montaggio e funzionamento**

**Instrucciones de montaje**

**取扱説明書**

ENCLOSURES

POWER DISTRIBUTION

CLIMATE CONTROL

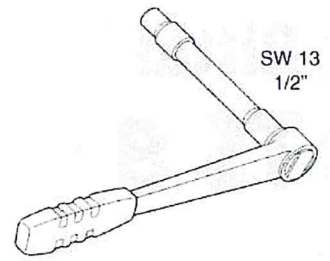
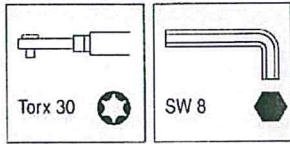
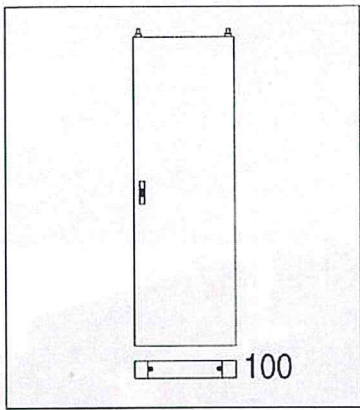
IT INFRASTRUCTURE

SOFTWARE & SERVICES



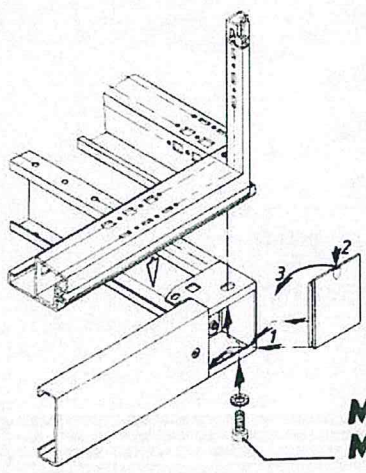
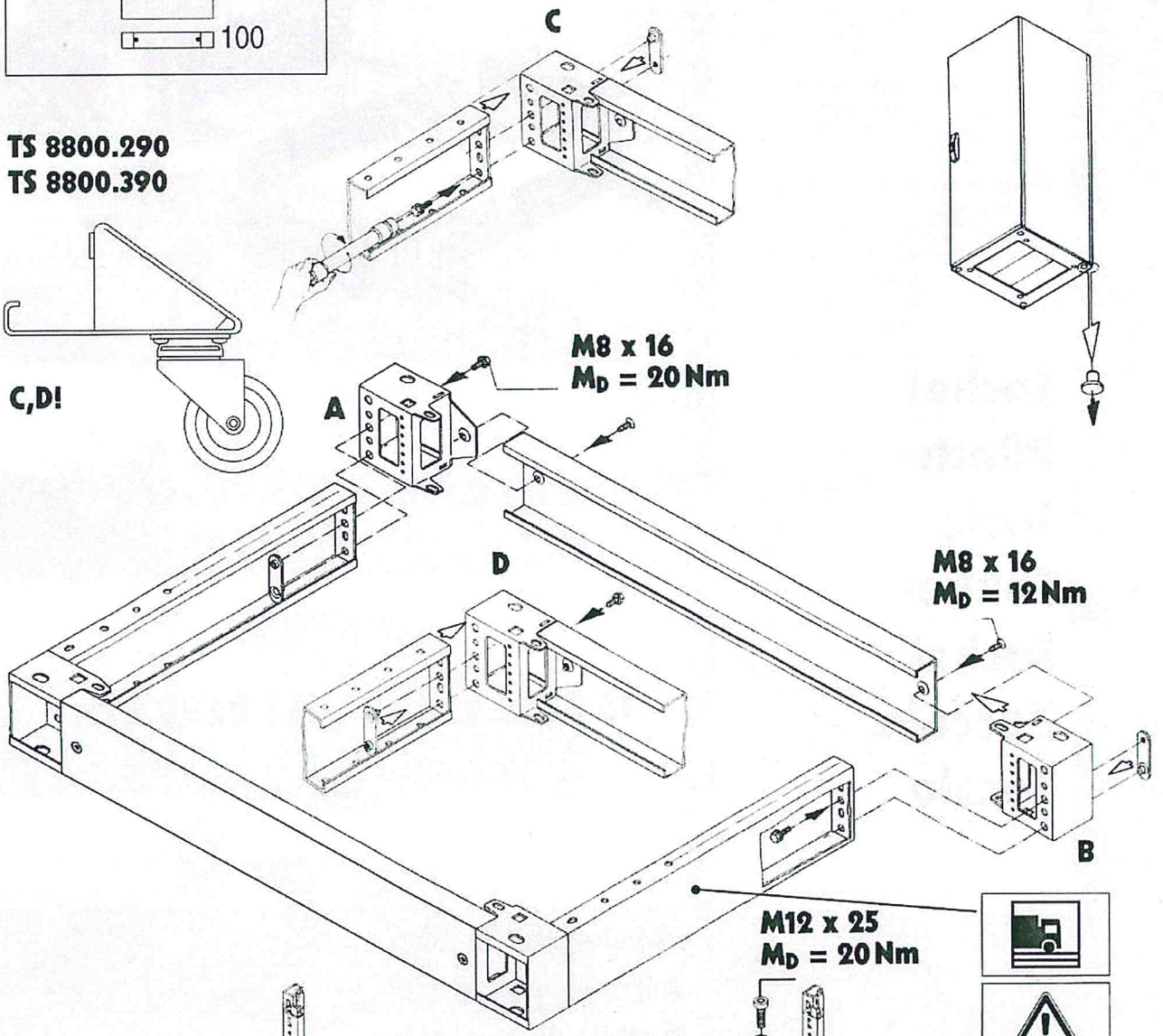
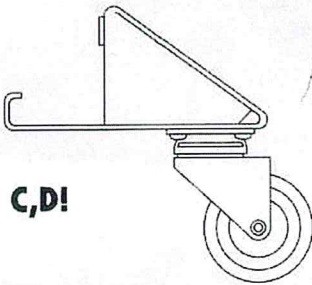
FRIEDHELM LOH GROUP



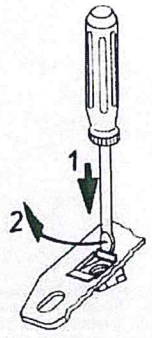
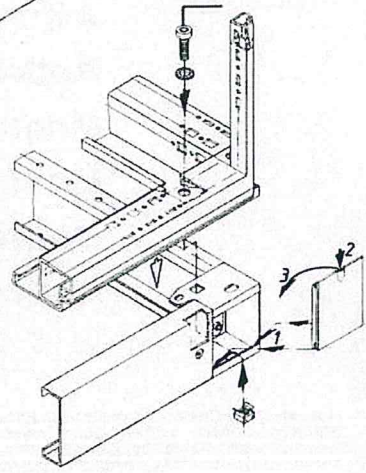


SW 13  
1/2"

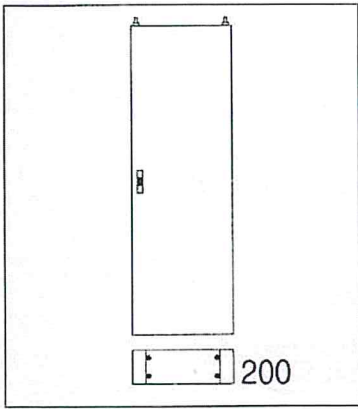
TS 8800.290  
TS 8800.390



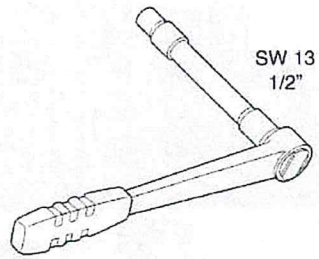
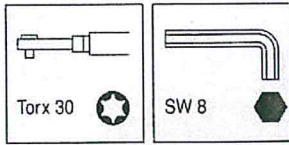
**M12 x 25**  
 $M_D = 20 \text{ Nm}$



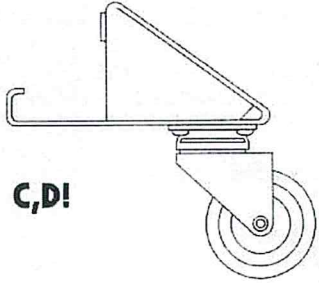




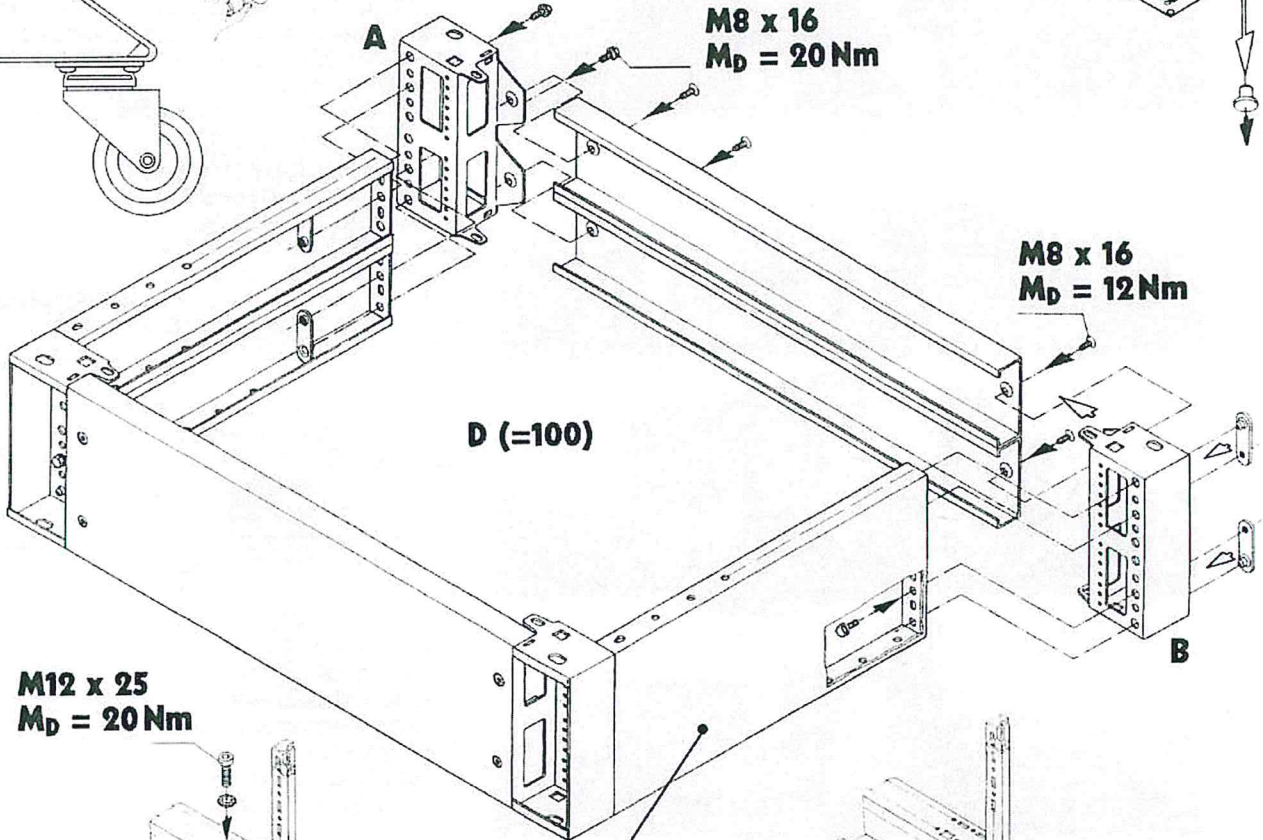
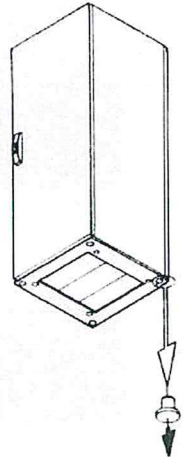
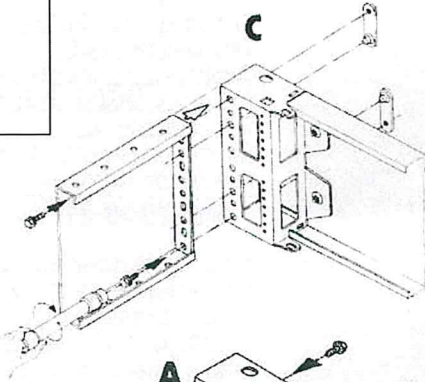
TS 8800.290  
TS 8800.390



SW 13  
1/2"



C, D!

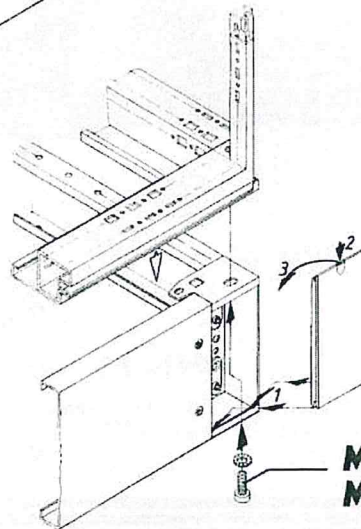
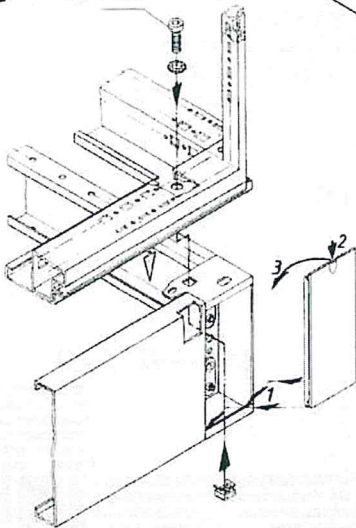


M8 x 16  
 $M_D = 20 \text{ Nm}$

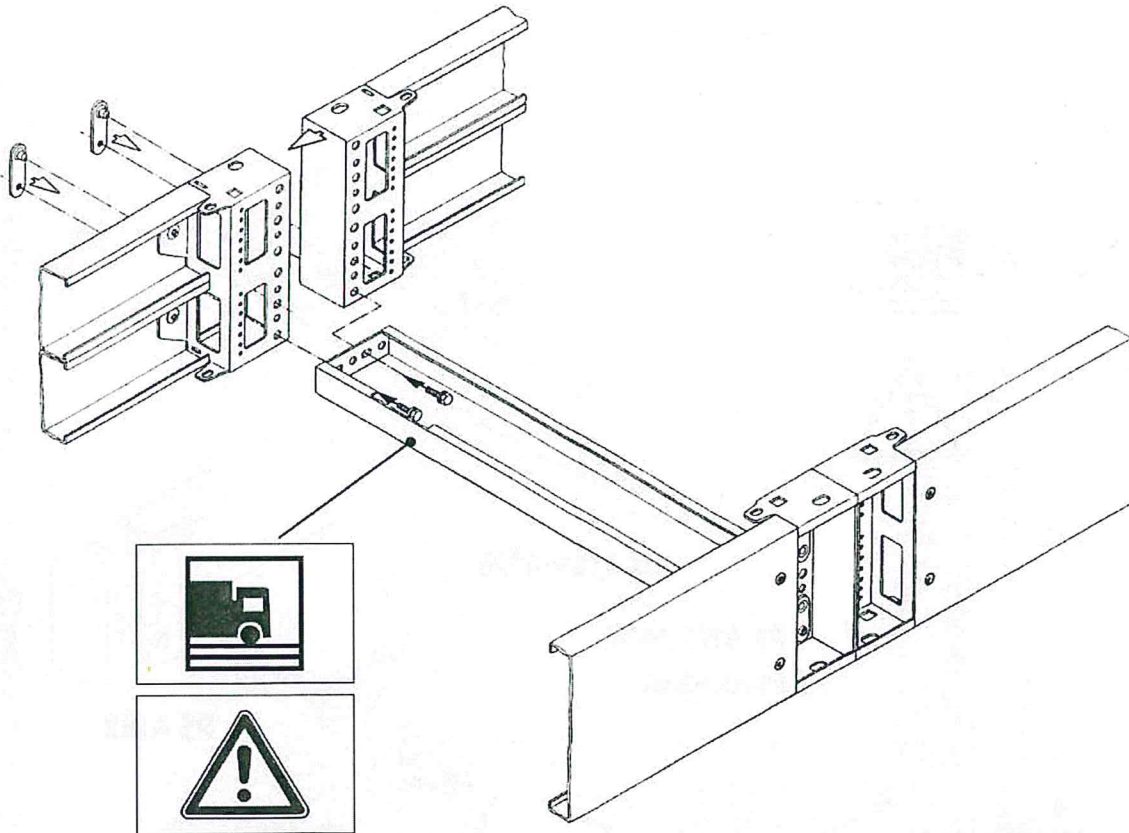
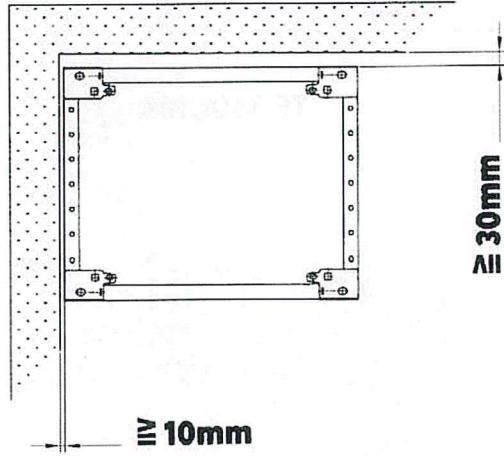
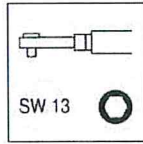
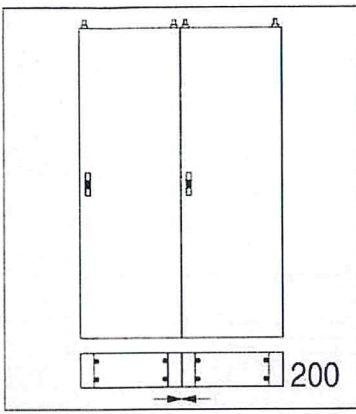
M8 x 16  
 $M_D = 12 \text{ Nm}$

D (=100)

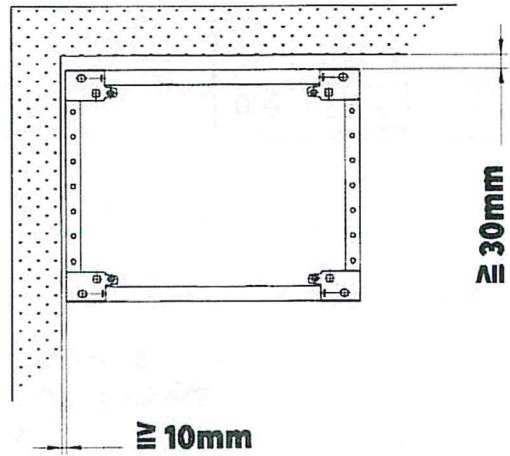
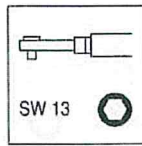
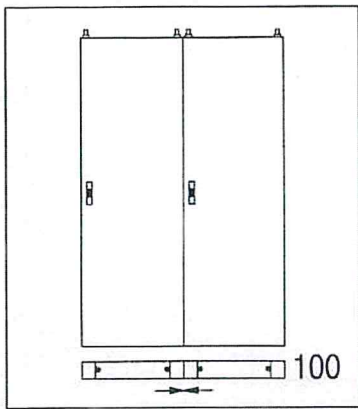
M12 x 25  
 $M_D = 20 \text{ Nm}$



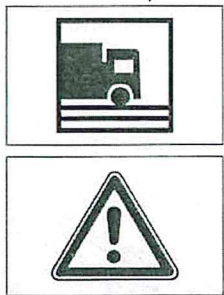
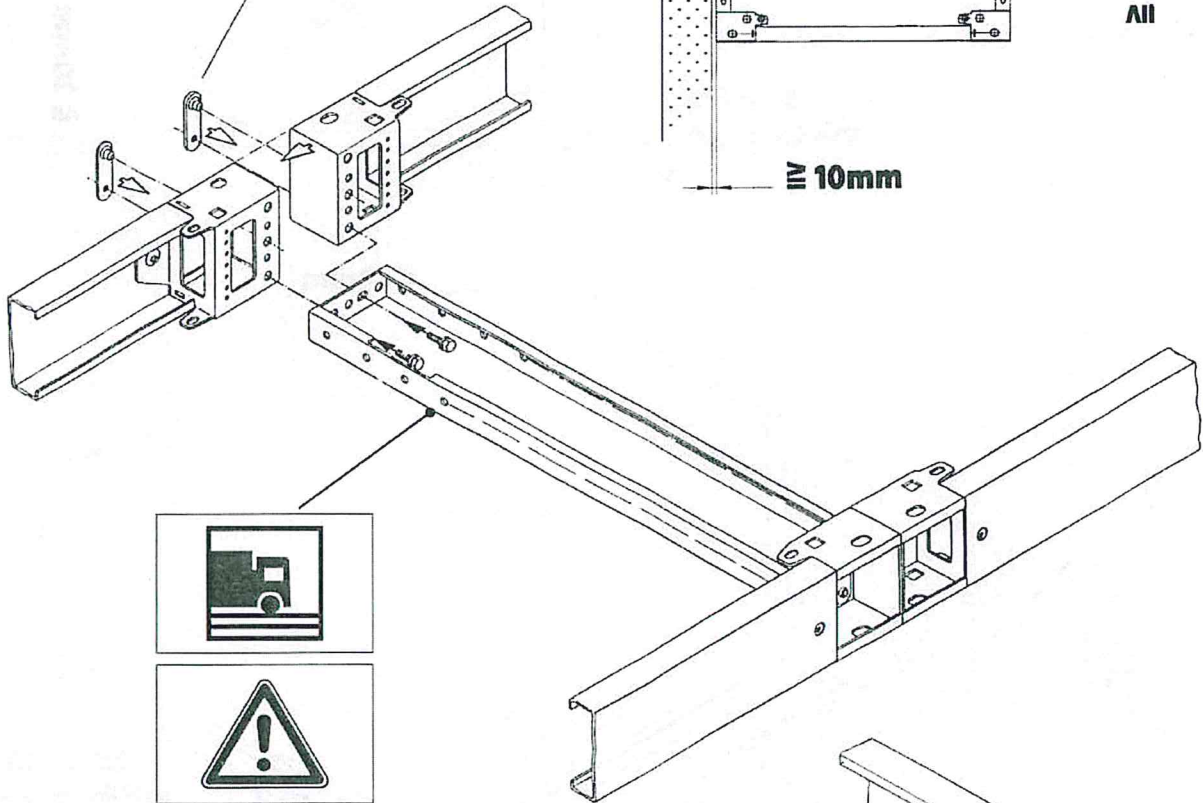
M12 x 25  
 $M_D = 20 \text{ Nm}$







**TS 8601.100**



**PS 4169-4178**

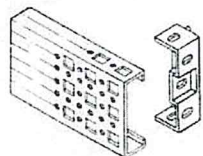
**PS 4191-4193**

**PS 4196,4336**

**PS 4182**

**PS 4374-4382**

**PS 4199**



**PS 4133**

**PS 4183**

# Rittal – The System.

---

**Faster – better – worldwide.**

- Enclosures
- Power distribution
- Climate control
- IT infrastructure
- Software & services

RITTAL GmbH & Co. KG  
Postfach 1662 · D-35726 Herborn  
Phone + 49(0)2772 505-0 · Fax + 49(0)2772 505-2319  
E-Mail: [info@rittal.de](mailto:info@rittal.de) · [www.rittal.com](http://www.rittal.com)

04/11 246 608 A 2289602 TS 74

ENCLOSURES

POWER DISTRIBUTION

CLIMATE CONTROL

IT INFRASTRUCTURE

SOFTWARE & SERVICES

**RITTAL**

FRIEDHELM LOH GROUP

