

Rittal

**Kunststoff-
Schaltschränke KS**

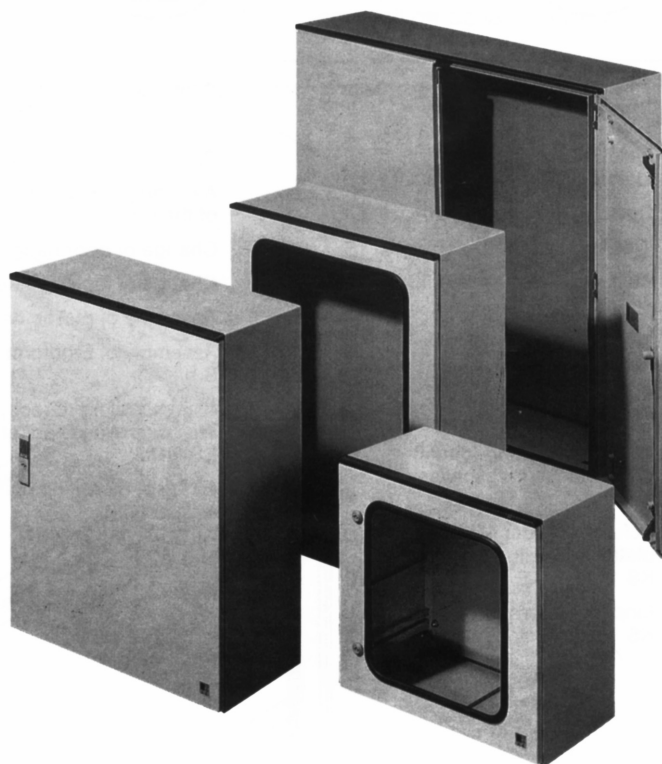
GRP enclosures KS

Coffrets polyester KS

**Polyester
schakelkasten KS**

Plastskåp KS

Armadi in Plastica KS



KS 1423

KS 1432

KS 1434

KS 1444

KS 1446

KS 1453

KS 1466

KS 1468

KS 1480

KS 1400

KS 1448

KS 1449

KS 1454

KS 1467

KS 1469

KS 1479

Montage- und Bedienungsanleitung

Assembly and operating instructions

Notice de montage et mode d'emploi

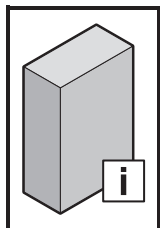
Montage- en bedieningshandleiding

Montage- och bruksanvisning

Istruzioni di montaggio e uso

Instrucciones de montaje y empleo

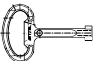




取扱説明書

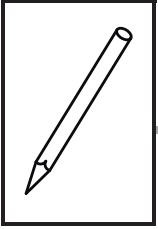


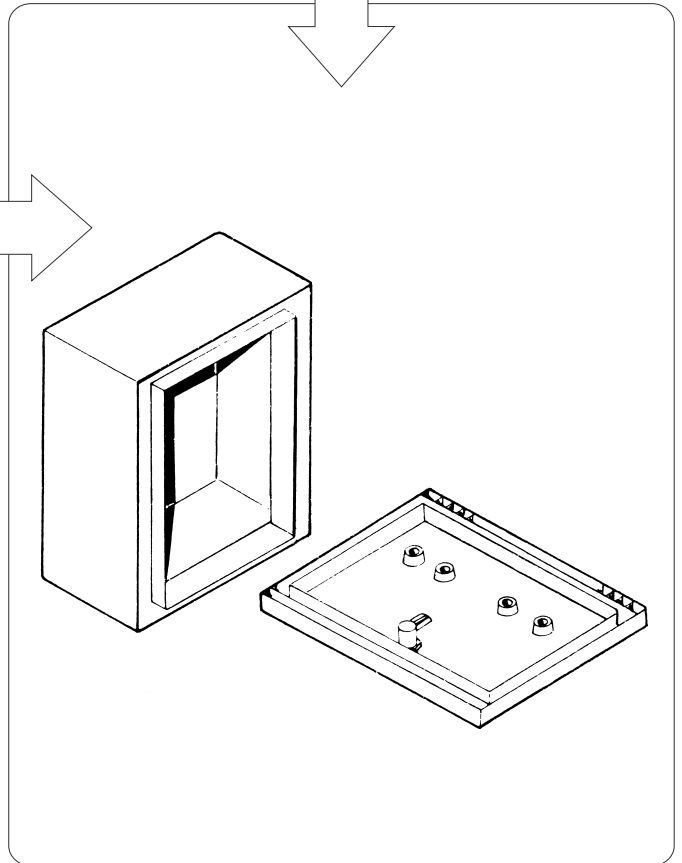
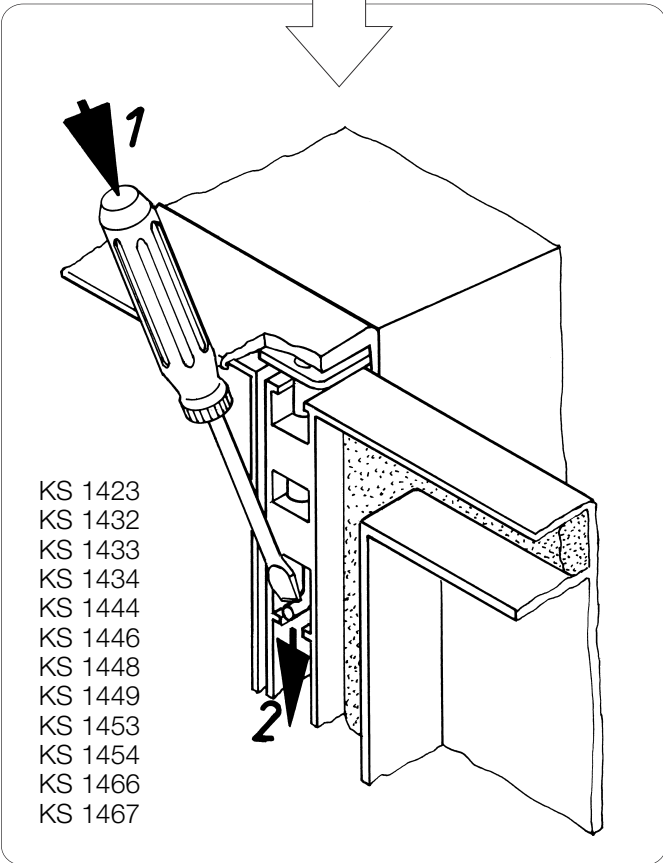
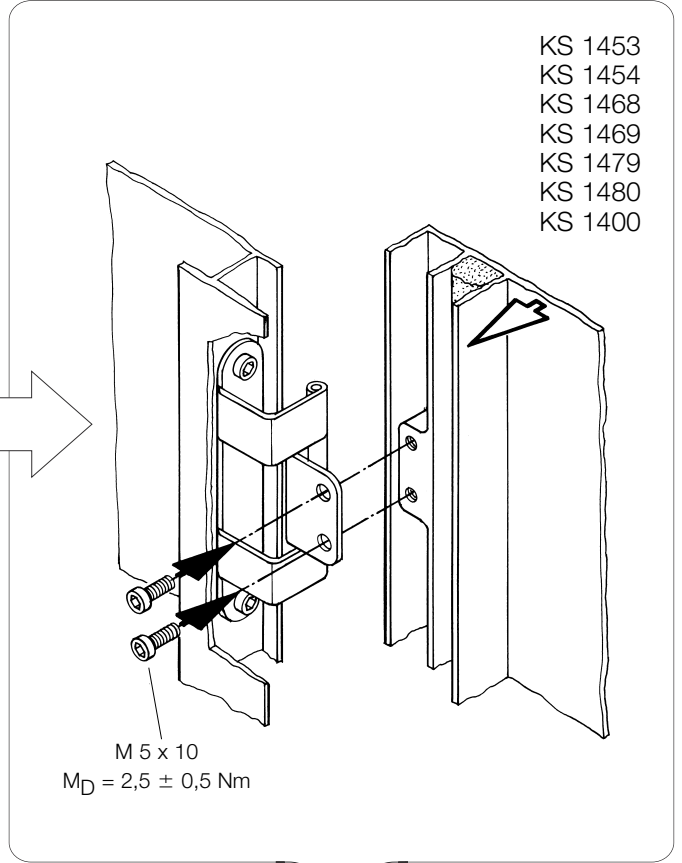
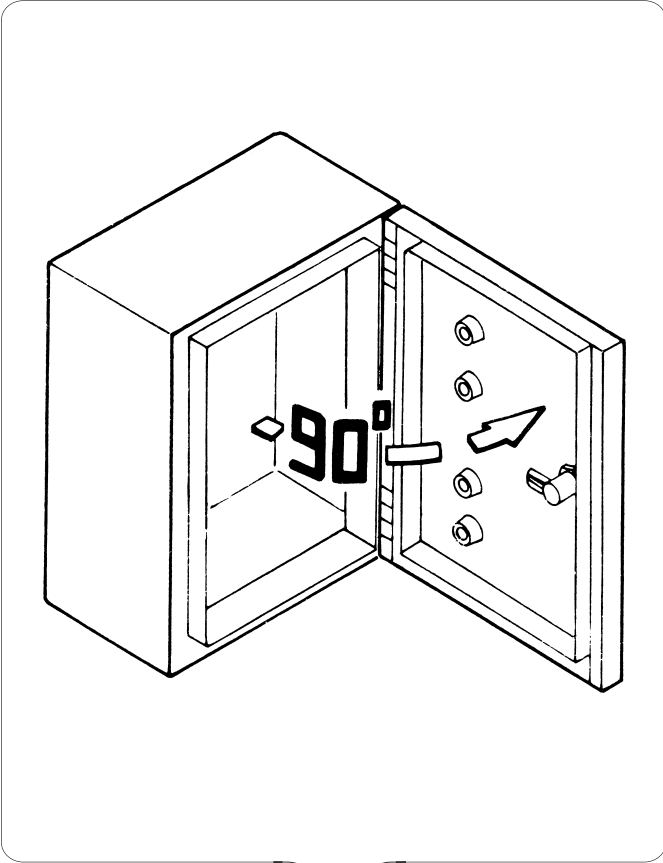
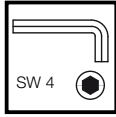
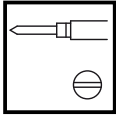
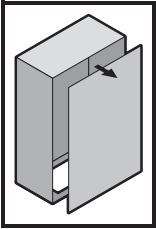
Inhaltsverzeichnis **Table of contents**

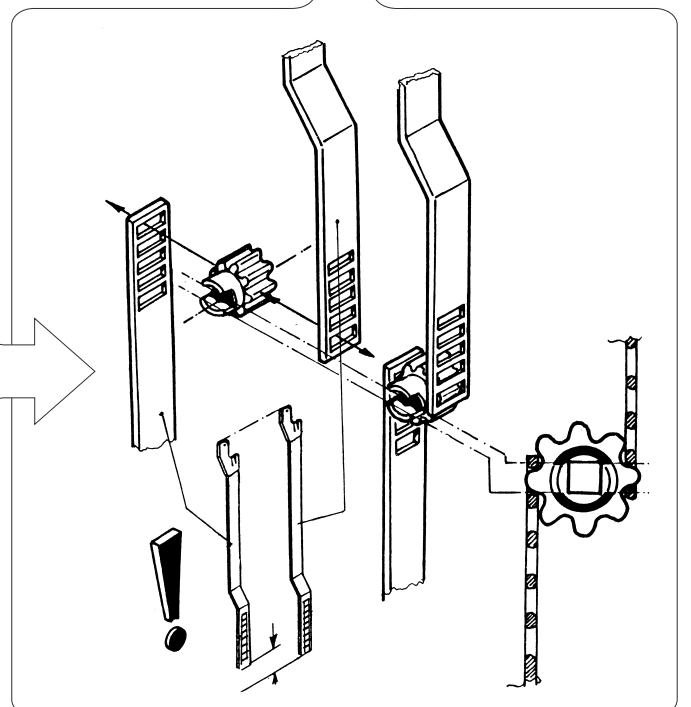
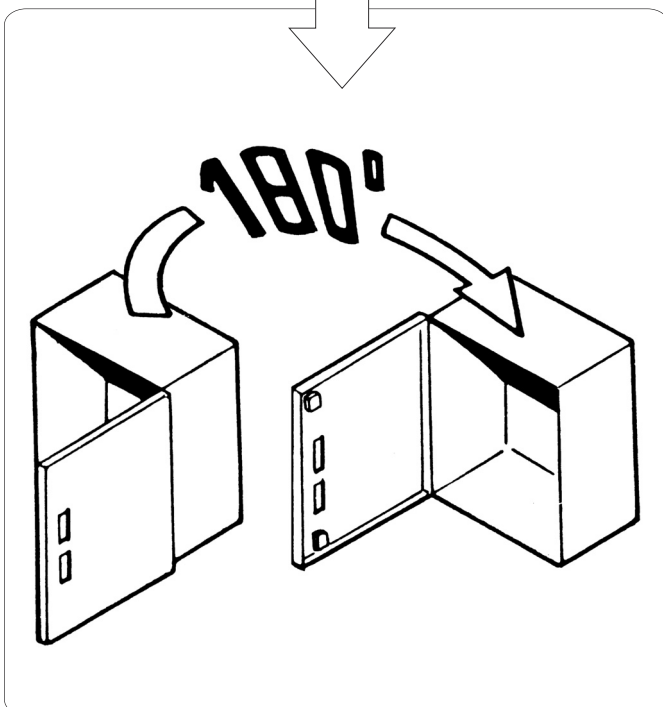
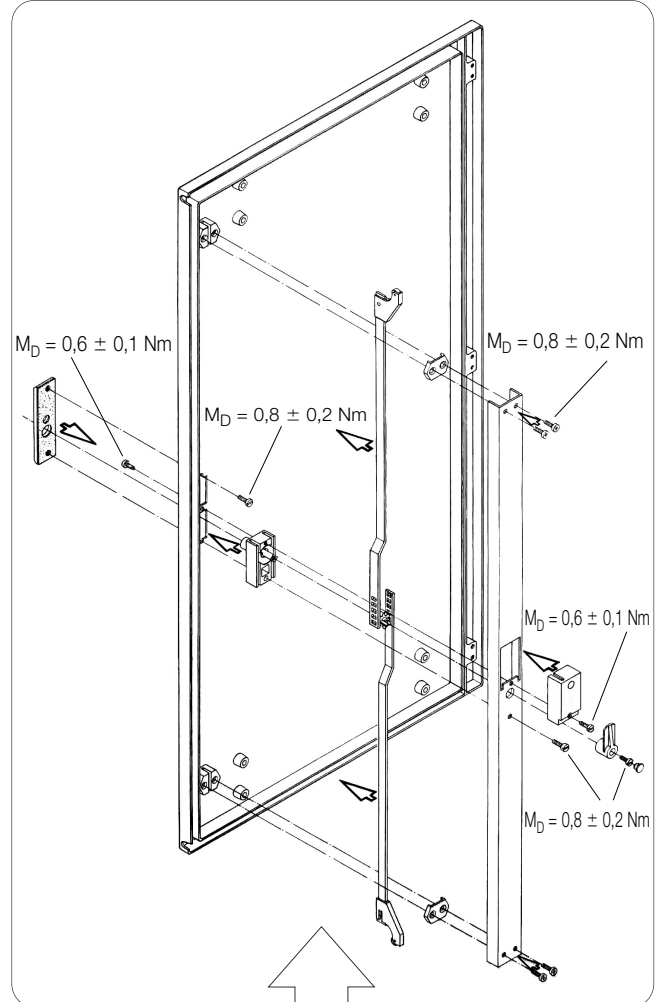
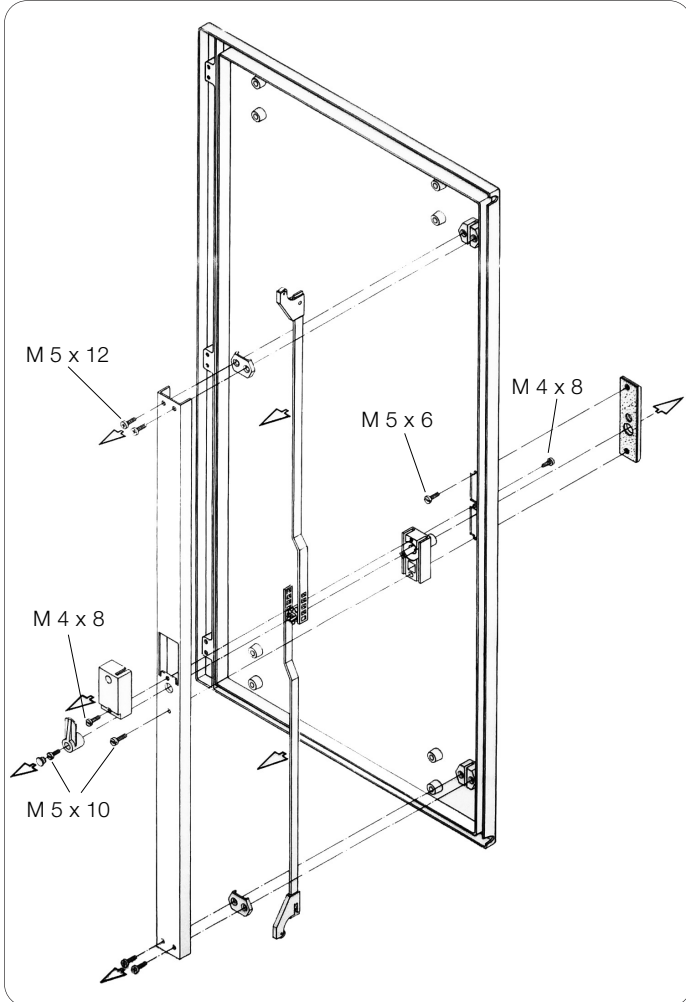
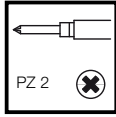
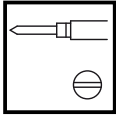
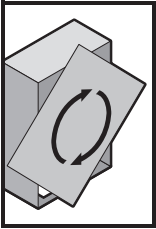
	Seite
Inhalt Versandbeutel / <i>Contents of the accessory bag</i>	2
Notizen / <i>Notes</i>	3
Demontage/Montage Türe / <i>Disassembly/assembly of the door</i>	4
Demontage/Montage Stangenverschluss / <i>Disassembly/assembly of the rod lock</i>	5
Vorreiberverschluss, Umbau / <i>How to convert the camlock</i>	6
Austausch Verschlusseinsatz / <i>Change of locking insert</i>	7
Montage Griff Ergoform S / <i>Assembly of Ergoform S handle</i>	8
Einbau Montageplatte / <i>Fixing of mounting plate</i>	9
Montage Einpressmutter M6 / <i>Mounting of threaded insert M6</i>	10
Aufstellung / <i>Siting</i>	11
Transport	12
Technische Daten, Belastungsangaben / <i>Technical information, load table</i>	13
Thermische Wärmeabfuhr / <i>Heat loss</i>	14
Schutzgrade / <i>Degree of protection</i>	15

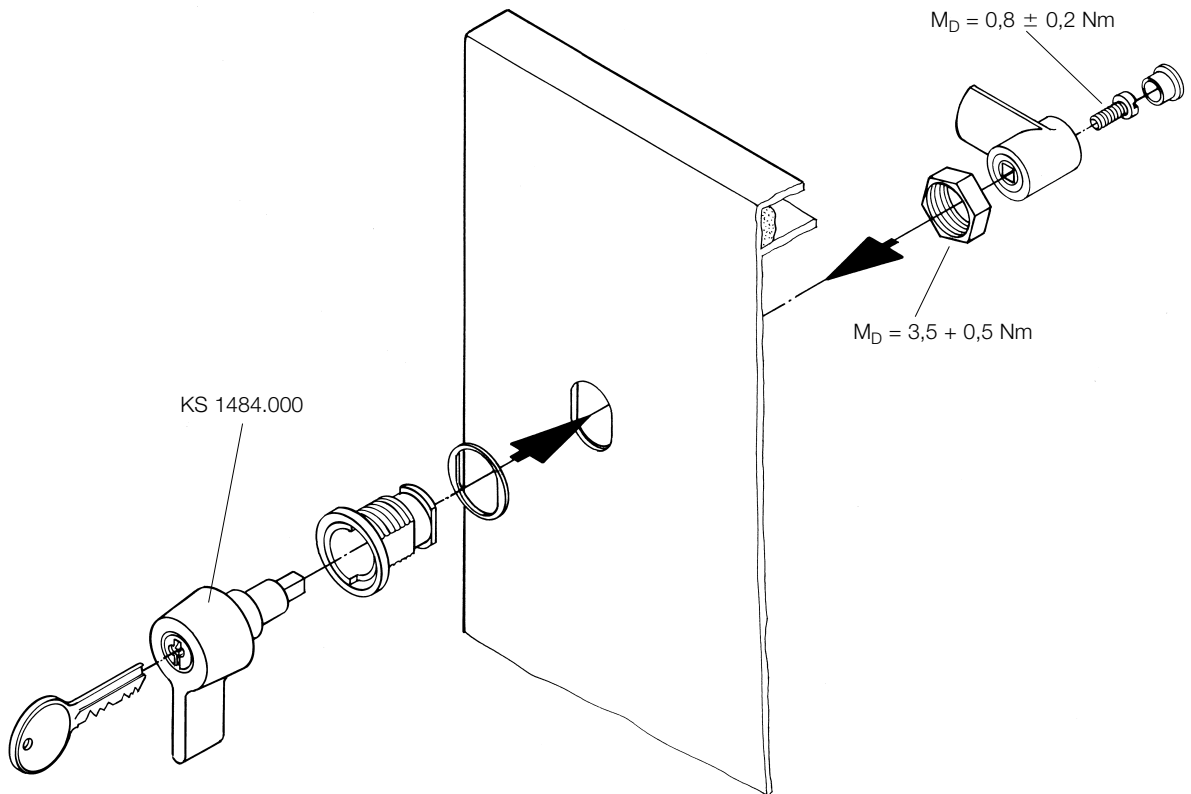
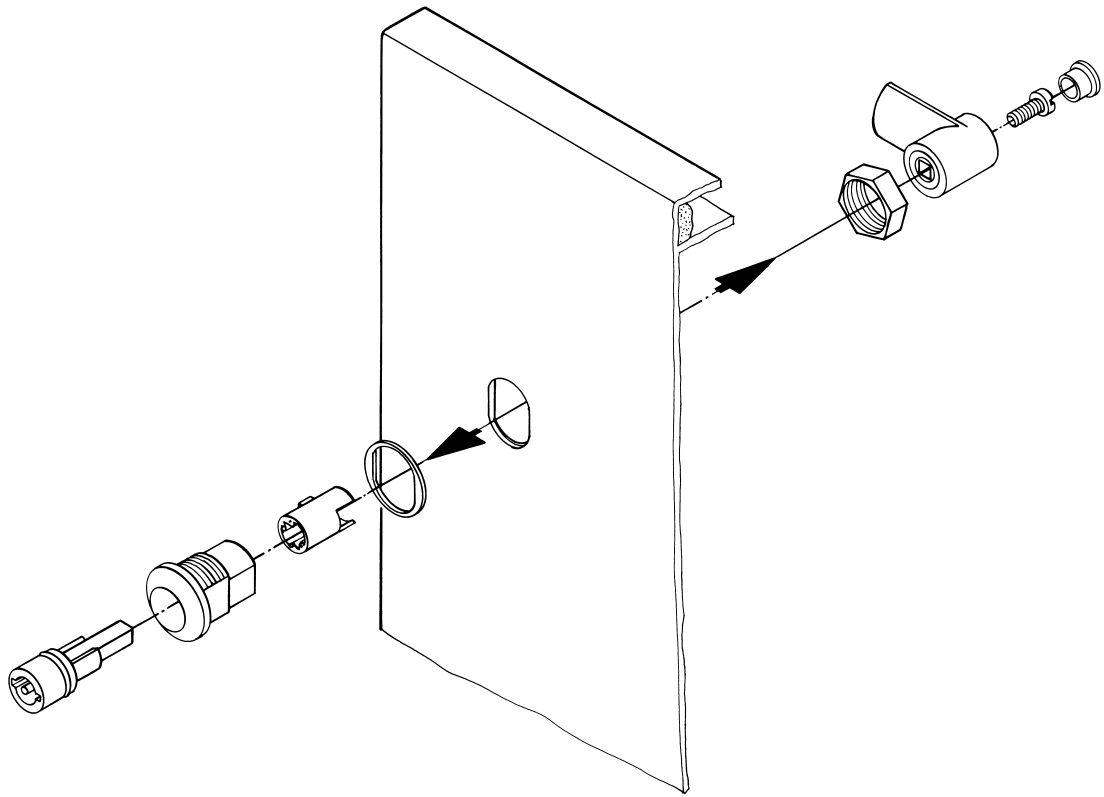
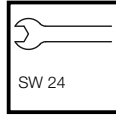
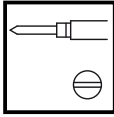
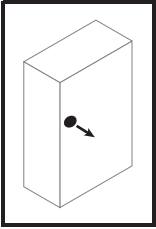
Inhalt/Versandbeutel **Contents of the accessory bag**

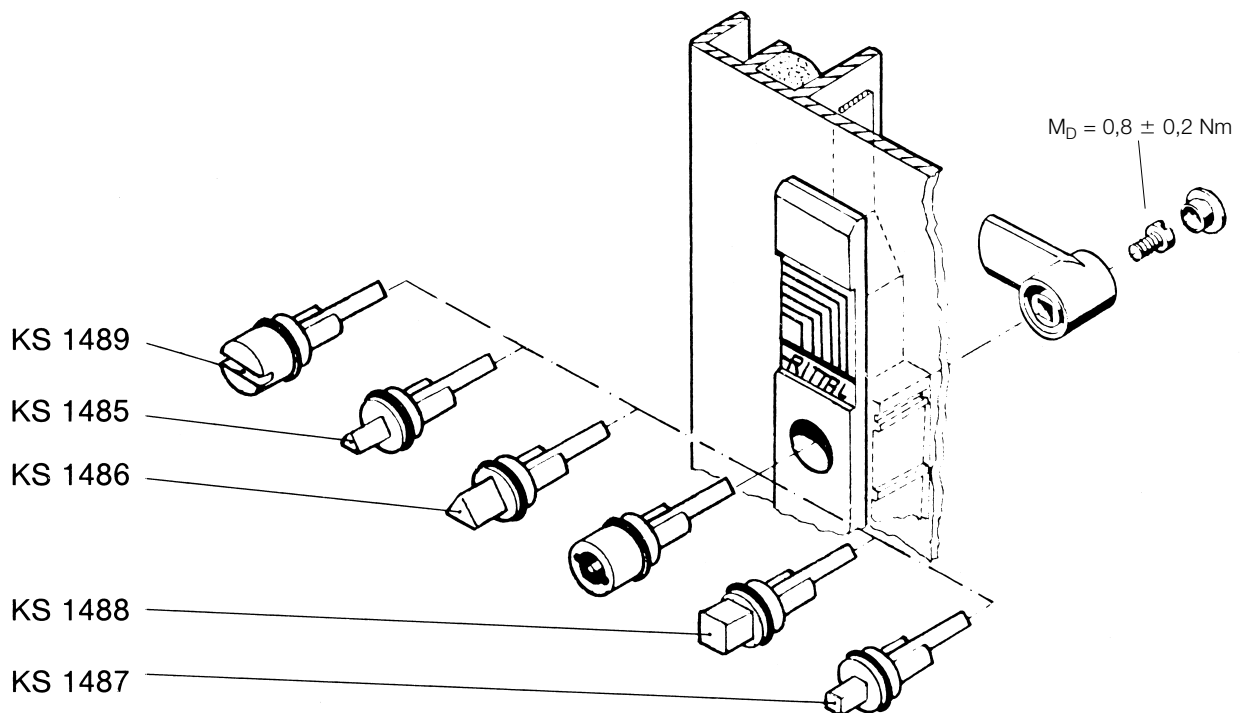
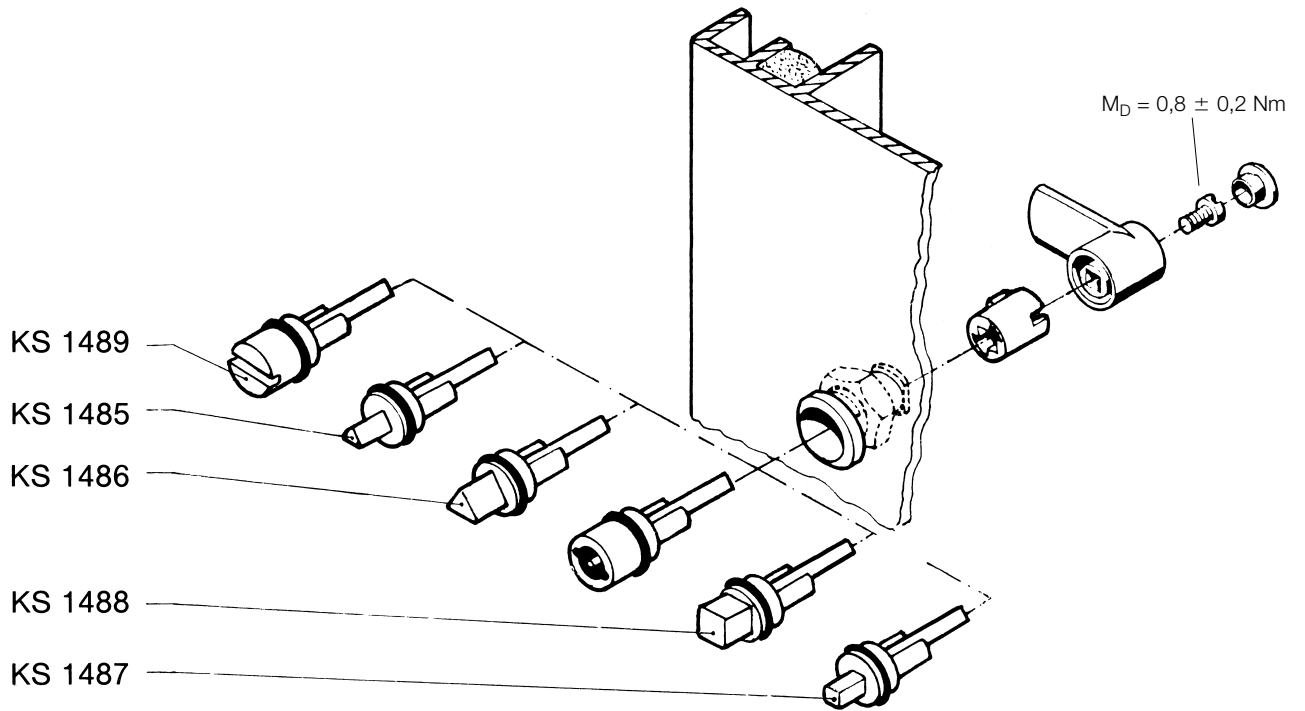
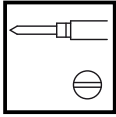
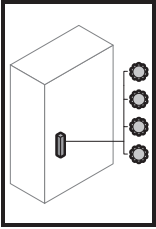
		1x
	Ø 15	4x
	M 8	4x
	A 8,4	8x
	M 8 x 25	4x

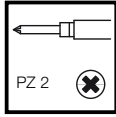
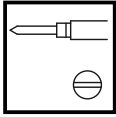
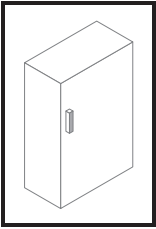




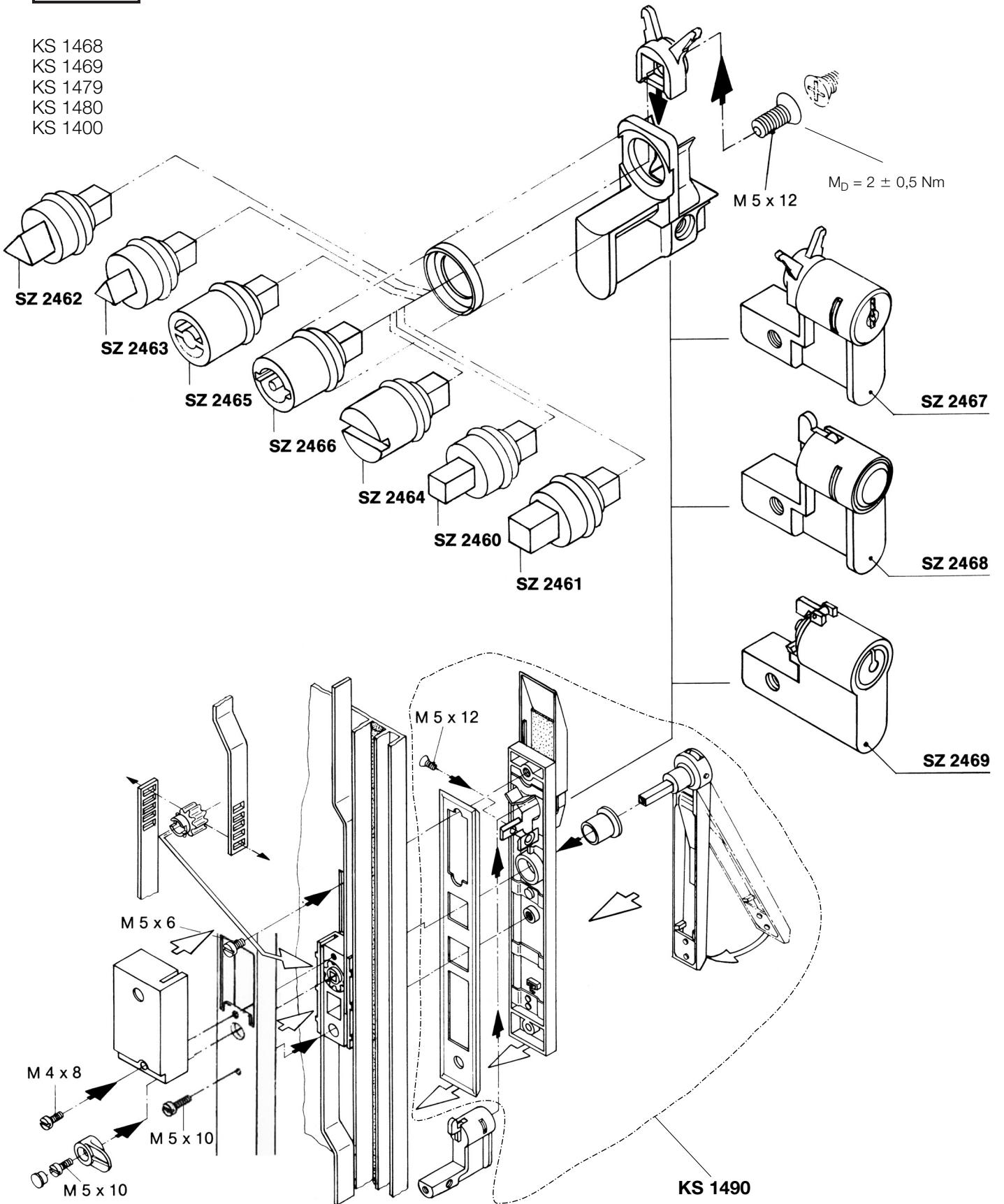


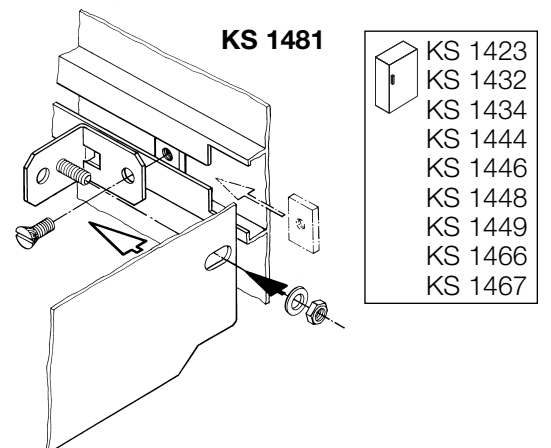
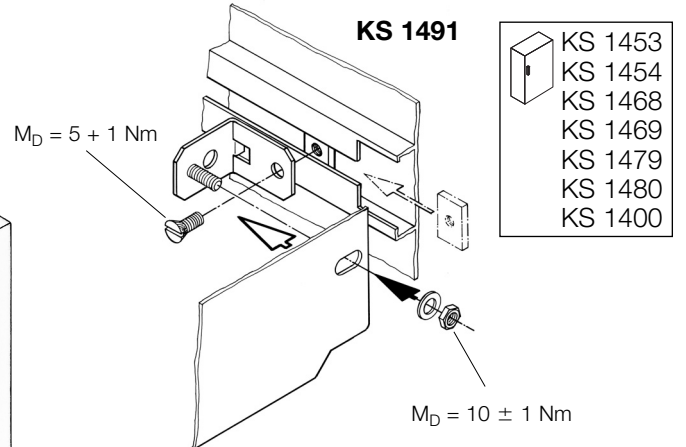
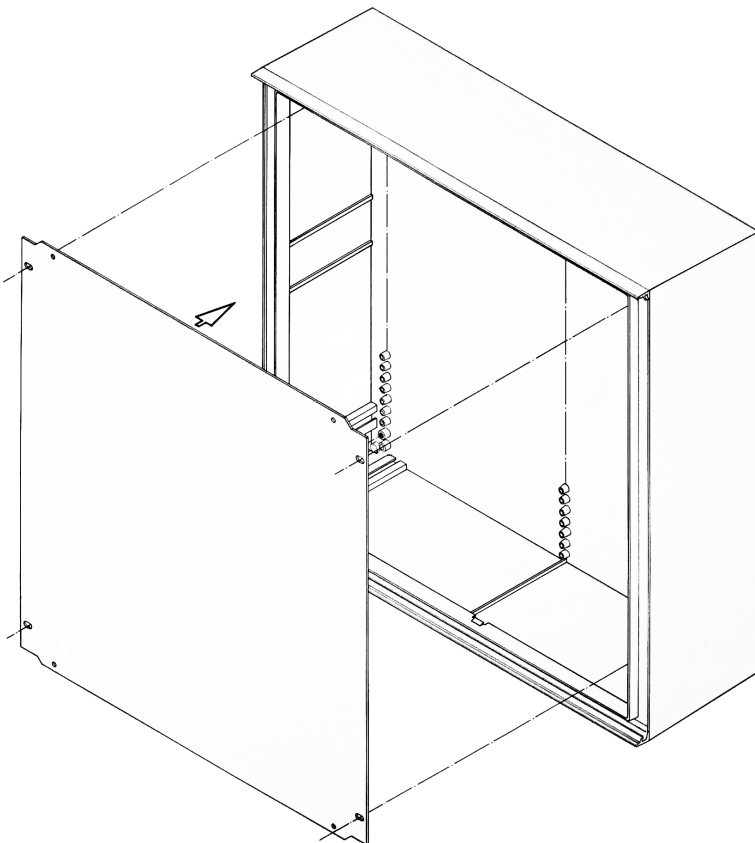
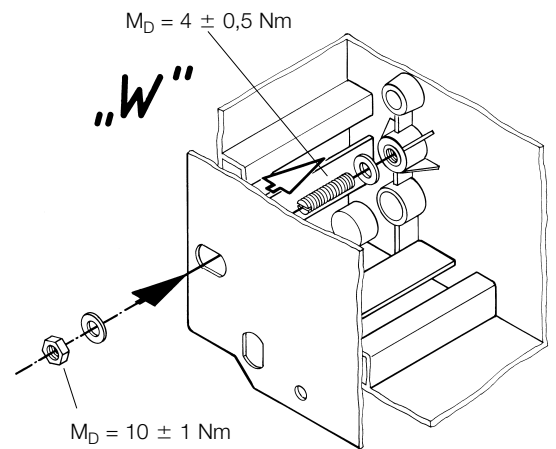
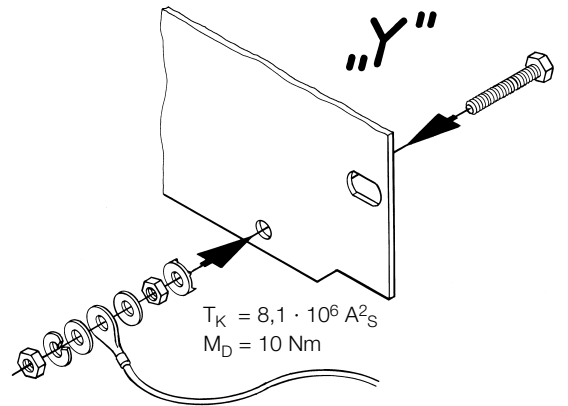
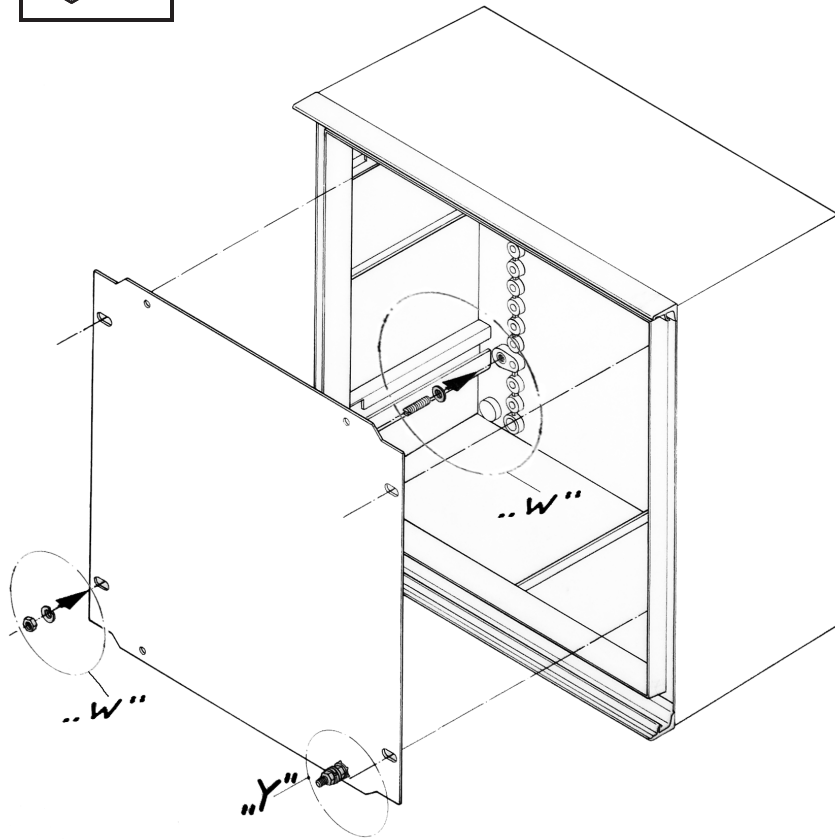
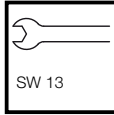
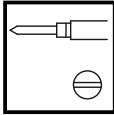
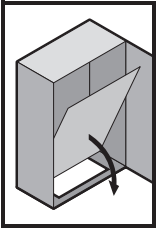


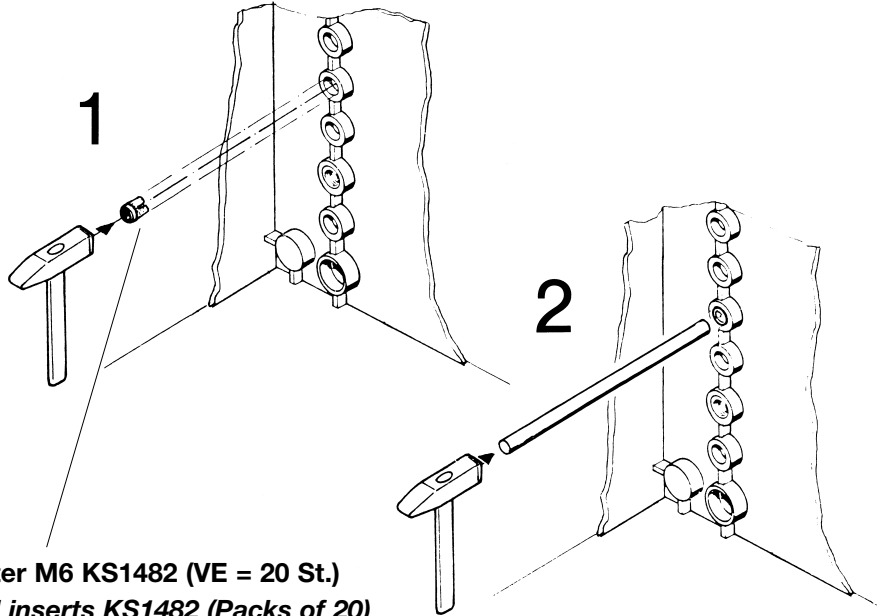
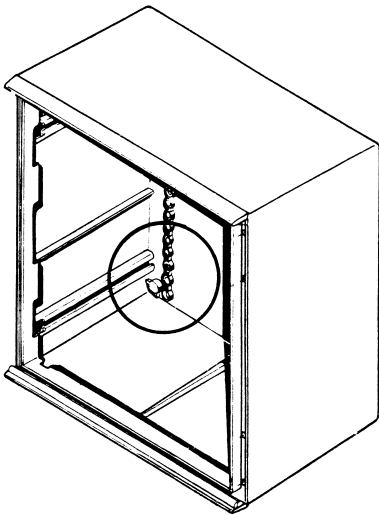
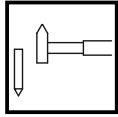
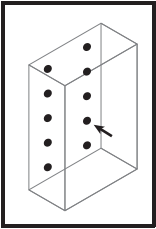




KS 1468
KS 1469
KS 1479
KS 1480
KS 1400







Einpressmutter M6 KS1482 (VE = 20 St.)
M6 Threaded inserts KS1482 (Packs of 20)

E.M.T. Fittings



Caution:



Raintight connectors
Nylon insulated

Non-metallic enclosure does not provide grounding between conduit connections.

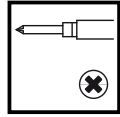
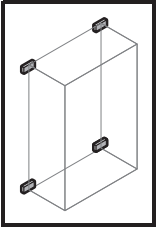
Use grounding bushings and jumper wires.

When connecting conduit to this enclosure, use only UL Listed or Recognized conduit hubs that have the same environmental type rating as the enclosure.

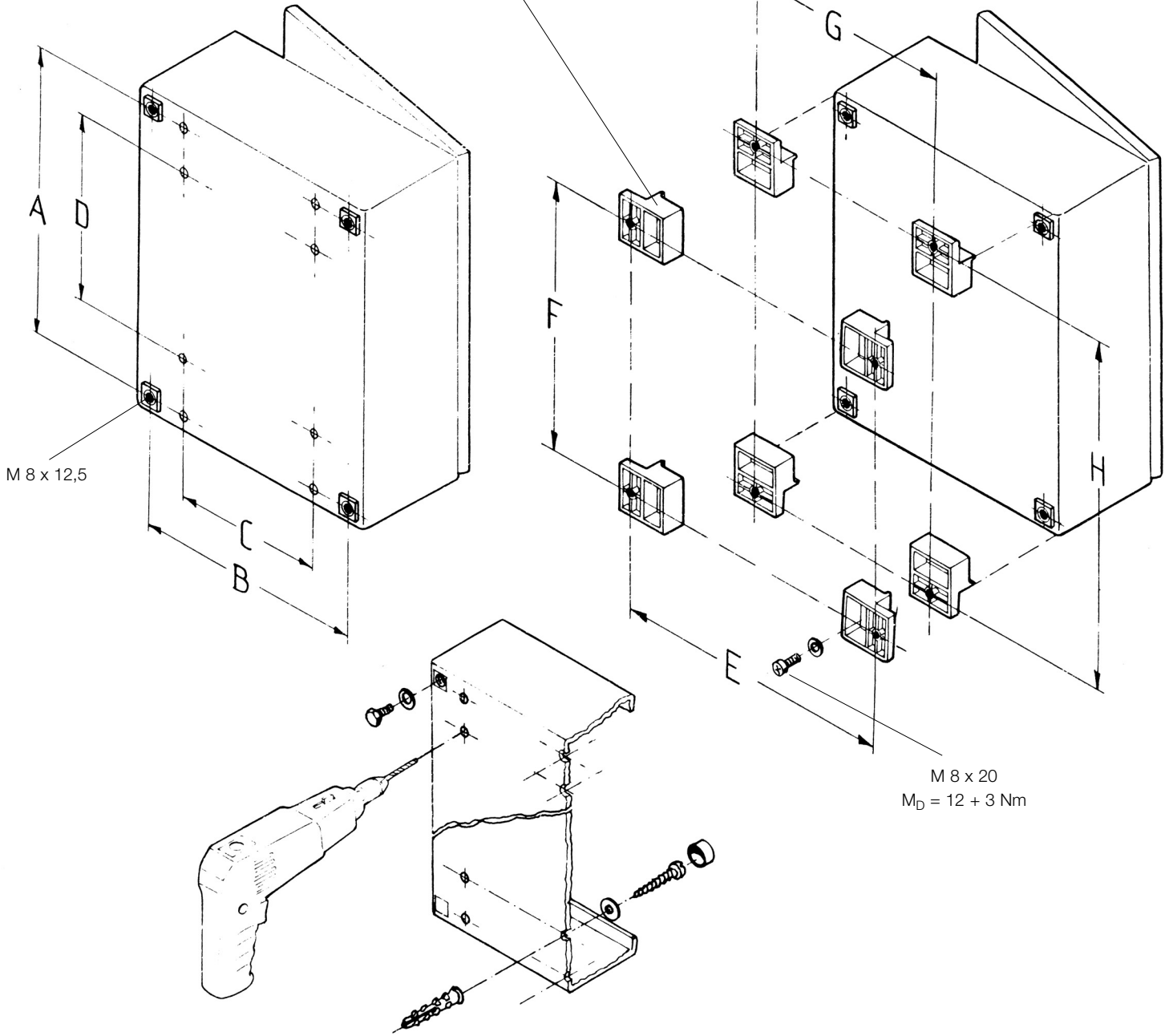


Raintight connectors

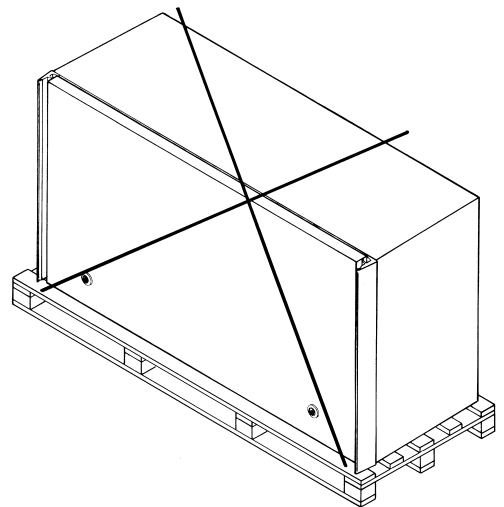
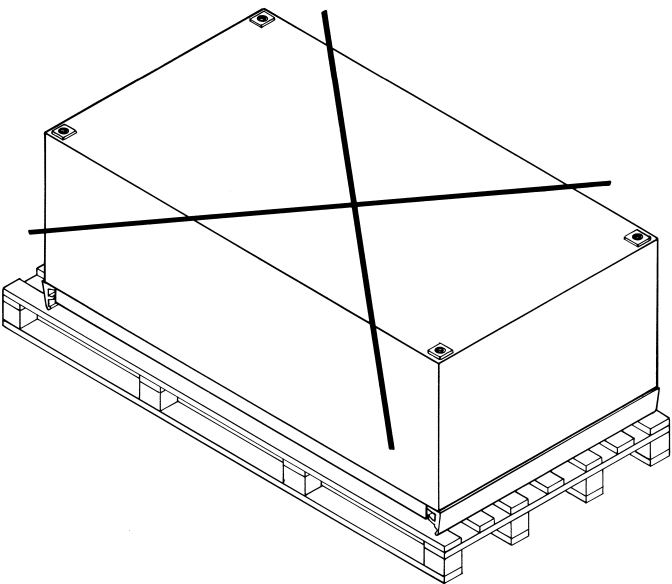
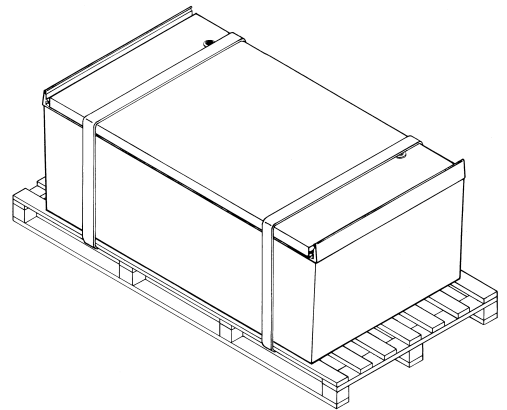
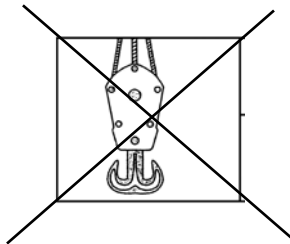
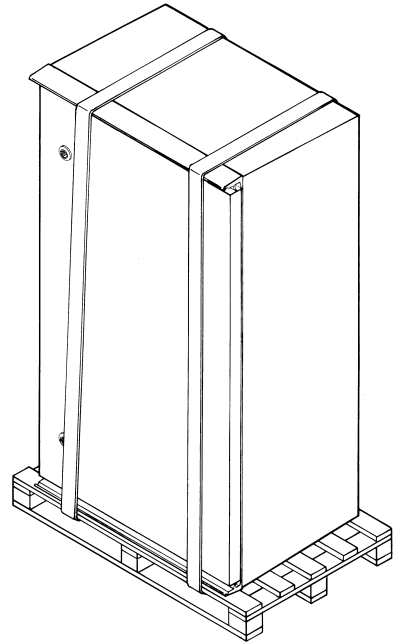
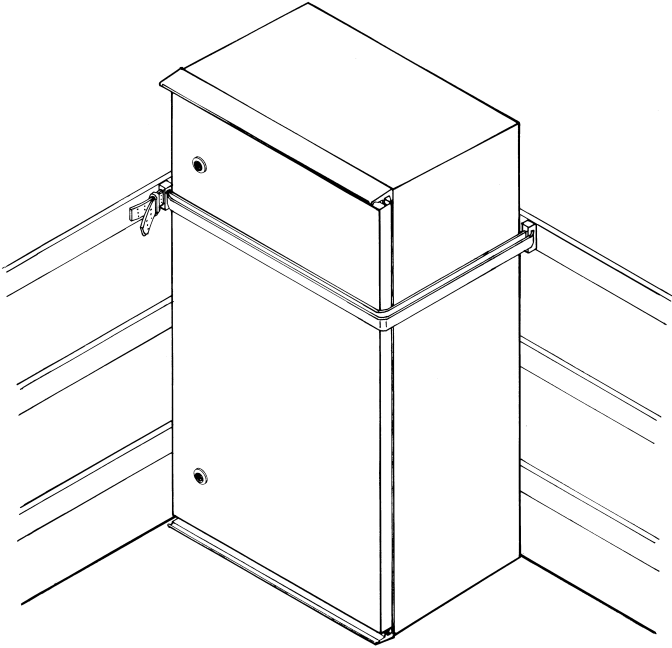
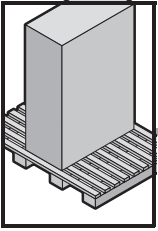
Connect the conduit hubs to the conduit before being connected to the enclosure.

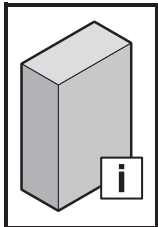


Wandbefestigungshalter KS1483 (VE = 4 St.)
Wall mounting bracket KS1483 (Packs of 4)



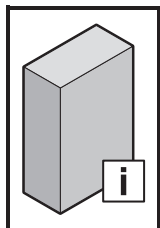
KS	1423	1432	1434	1444 1448	1446 1449	1466 1467	1453 1454	1468 1469	1479 1480	1400
A	250	300	350	350	550	550	450	750	950	950
B	150	200	250	350	350	550	450	550	750	950
C	100	150	200	300	300	500	400	500	700	900
D	x	x	x	x	x	x	x	x	900	900
E	220	270	320	420	420	620	520	620	820	1020
F	227	277	327	327	527	527	427	727	927	927
G	127	177	227	327	327	527	427	527	727	927
H	320	370	420	420	620	620	520	820	1020	1020



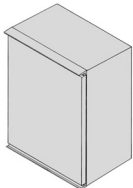
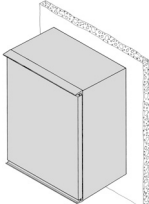
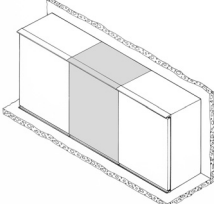


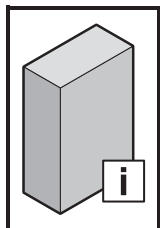
Technische Daten KS Technical Data KS

Bestellnummer: Order Number:	Abmaße (mm) Dimensions (mm)			Volumen Volume (l)	Montageplatte Mounting plate	Belastung F (N) Load F (N)		
	Breite Width	Höhe Height	Tiefe Depth		Dicke (mm) Thickness (mm)	Gesamt Entively	Montageplatte Mounting plate	Tür Door
1423.500	200	300	150	9	2,0	1500	1500	30
1432.500	250	350	150	13	2,0	1500	1500	30
1434.500	300	400	200	24	2,0	1500	1500	30
1444.500	400	400	200	32	2,5	1500	1500	30
1446.500	400	600	200	48	2,5	1500	1500	30
1453.500	500	500	300	75	2,5	1500	1500	30
1466.500	600	600	200	72	2,5	1500	1500	30
1468.500	600	800	300	144	3,0	2500	2500	30
1480.500	800	1000	300	240	3,0	2500	2500	30
1400.500	1000	1000	300	300	3,0	2500	2500	30
Mit Sichtfenster / with viewing door								
1448.500	400	400	200	32	2,5	1500	1500	0
1449.500	400	600	200	48	2,5	1500	1500	0
1454.500	500	500	300	75	2,5	1500	1500	0
1467.500	600	600	200	72	2,5	1500	1500	0
1469.500	600	800	300	144	3,0	2500	2500	0
1479.500	800	1000	300	240	3,0	2500	2500	0
Zubehör / Accessories								
KS 1483.010	Wandbefestigungshalter Wall mounting bracket	Bei symmetrischer Belastung / With symmetrical loading				1500		
SZ 2584.000	Mastbefestigung Pole mounting					1000		



Thermische Wärmeabfuhr KS-Gehäuse in Abhängigkeit vom Einbauort
Thermal energy dissipation as a function of the location

Bestellnummer: Order Number:			
	W (Delta T = 20K)		
1423500	16	15	11
1432500	21	19	14
1434500	31	28	20
1444500	38	34	25
1446500	53	46	36
1448500	38	34	25
1449500	53	46	36
1453500	65	58	43
1454500	65	58	43
1466500	72	62	50
1467500	72	62	50
1468500	109	95	73
1469500	109	95	73
1479500	162	140	111
1480500	162	140	111
1400500	193	165	134



Schutzgrade KS
Degrees of protection

Bestellnummer: Order Number:	Schutzgrad		
	IP (1)	IK (1)	NEMA (2)
1423500	66	08	4
1432500	66	08	4
1434500	66	08	4
1444500	66	08	4
1446500	66	08	4
1448500	56	08	12
1449500	56	08	12
1453500	66	08	4
1454500	56	08	12
1466500	66	08	4
1467500	56	08	12
1468500	66	08	4
1469500	56	08	12
1479500	56	08	12
1480500	66	08	4
1400500	56	08	12

(1) Gemäß EN 62208 / In accordance to EN 62208

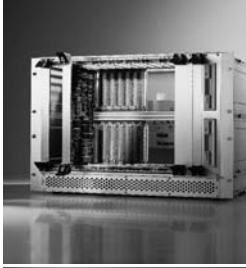
(2) Gemäß UL 50 / In accordance to UL 50



Schaltschrank-Systeme
Industrial enclosures
Coffrets et armoires électriques
Kastsystemen
Apparatskåpssystem
Armadi per quadri di comando
Sistemas de armarios
Indkapsling



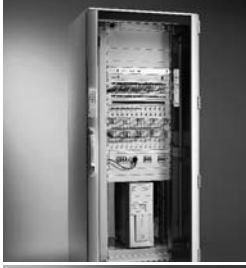
Stromverteilung
Power distribution
Distribution de courant
Stroomverdelingscomponenten
Strömfördelning
Distribuzione di corrente
Distribución de corriente
Strømfordeling



Elektronik-Aufbau-Systeme
Electronic packaging
Electronique
Electronic Packaging Systems
Electronic Packaging
Contenitori per elettronica
Sistemas de montaje para la electronica
Elektronikopbygning



System-Klimatisierung
System climate control
Climatisation
Systeemklimatisering
Systemklimatisering
Soluzioni di climatizzazione
Climatización de sistemas
Klimatechnik



IT-Solutions
IT solutions
Solutions IT
Informatie en Communicatie Technologie
IT-lösningar
Soluzioni per IT
Soluciones TI
IT, data og kommunikation



Communication Systems
Communication systems
Armoires outdoor
Outdoor-behuizingen
Communication Systems
Soluzioni outdoor
Sistemas de comunicación
Udendørsskabe