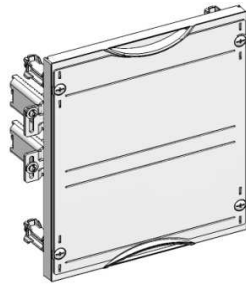
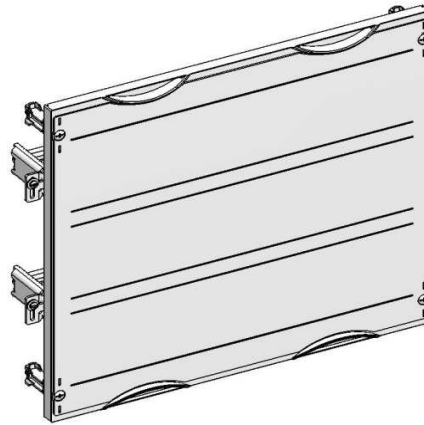


ISV Leistungsschalter-Modul

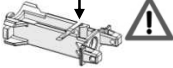









SV 9666.430/SV 9666.440

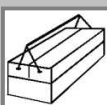


SV 9666.430



SV 9666.440

			SV 9666.430	SV 9666.440
1			4 x	4 x
2			4 x	4 x
3	  4,8x11,5		4 x	4 x
4.1			2 x	---
4.2			---	2 x
5.1	 M4		4 x	4 x
5.2	 M5		4 x	4 x
5.3	 M6		4 x	4 x
6			1 x	1 x



PH2

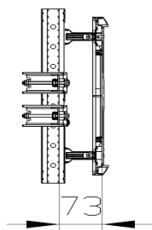
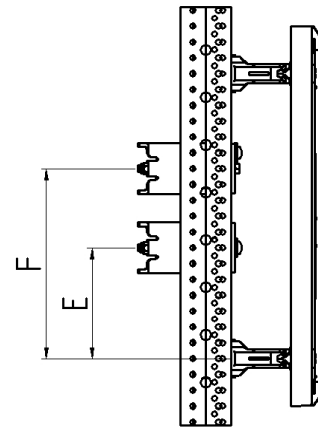
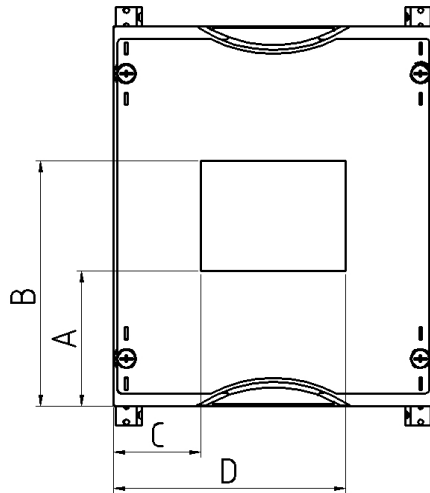


T25



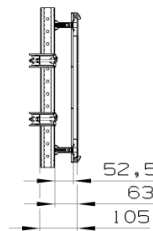
ISV Leistungsschalter-Modul

SV 9666.430/SV 9666.440



SV 9666.430

**Min. 63 -
Max. 122**



SV 9666.440

**Min. 63 -
Max. 122**

Leistungsschalter	I_n [A]				HxB		A	B	C	D	E	F
ABB Tmax T1	160	M4	SV 9666.430	1/2	47,0	78,0	120,5	167,5	85,5	163,5	59,0	166,0
ABB Tmax T2 / Siemens 3RV13 53	160	M4	SV 9666.430	1/2	47,0	78,0	120,5	167,5	85,5	163,5	59,0	166,0
ABB Tmax T3	250	M4	SV 9666.430	1/2	47,0	78,0	116,0	163,0	85,5	163,5	51,5	173,5
ABB Tmax T4 / Siemens 3RV1. 6.	320	M5	SV 9666.440	2/3	107,0	107,0	178,0	285,0	196,0	303,0	99,5	275,5
ABB Tmax T5 / Siemens 3RV1. 7.	630	M5	SV 9666.440	2/3	107,0	107,0	178,0	285,0	196,0	303,0	99,5	275,5
Schneider Electric NSX100/160	100	M5	SV 9666.430	1/2	77,0	95,0	120,0	197,0	77,0	172,0	50,0	175,0
Schneider Electric NSX250	250	M5	SV 9666.430	1/2	77,0	95,0	120,0	197,0	77,0	172,0	50,0	175,0
Schneider Electric NSX400/630	400	M5	SV 9666.440	2/3	127,0	127,0	182,5	309,5	186,0	313,0	87,5	287,5
Eaton NZM1	160	M4	SV 9666.430	1/2	46,0	91,0	119,0	165,0	79,0	170,0	49,5	175,5
Eaton NZM2	250	M4	SV 9666.430	1/2	96,0	101,0	118,5	214,5	74,0	175,0	40,0	185,0
Eaton NZM3	630	M5	SV 9666.440	2/3	96,0	136,0	209,0	305,0	181,5	317,5	70,5	304,5
Eaton BZM B1	125	M4	SV 9666.430	1/2	47,0	77,0	122,0	169,0	86,0	163,0	55,8	169,3
Eaton BZM B2	250	M4	SV 9666.430	1/2	47,0	107,0	120,0	167,0	71,0	178,0	43,0	169,0
Siemens VL 160X	160	M5	SV 9666.430	1/2	68,0	36,0	115,3	183,3	106,5	142,5	63,0	177,5
Siemens VL 160	160	M5	SV 9666.430	1/2	68,0	36,0	115,3	183,3	106,5	142,5	56,5	177,5
Siemens VL 250	250	M5	SV 9666.430	1/2	68,0	36,0	115,3	183,3	106,5	142,5	56,5	177,5
Siemens VL 400	400	M6	SV 9666.440	2/3	87,0	65,0	181,3	268,3	217,0	282,0	74,5	322,0
Siemens VL 630	630	M6	SV 9666.440	2/3	84,0	76,0	182,8	266,8	211,5	287,5	74,5	322,0
Siemens VT1	160	M3	SV 9666.430	1/2	47,0	77,0	124,0	171,0	86,0	163,0	62,5	162,5
Siemens VT2	250	M4	SV 9666.430	1/2	67,0	50,0	127,5	194,5	99,5	149,5	31,5	193,5
Siemens VT3	630	M5	SV 9666.440	2/3	67,0	62,0	187,5	254,5	218,5	280,5	90,5	284,5



TS8

**SV 9666.430
SV 9666.440**



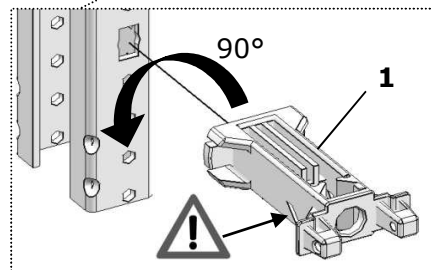
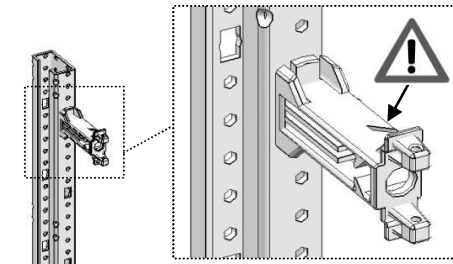
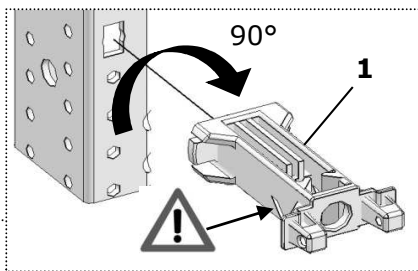
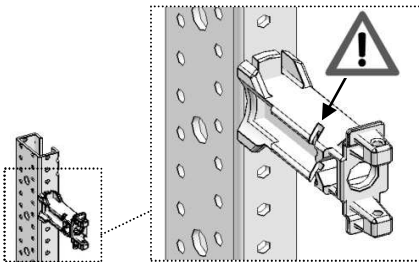
AE

ISV Leistungsschalter-Modul

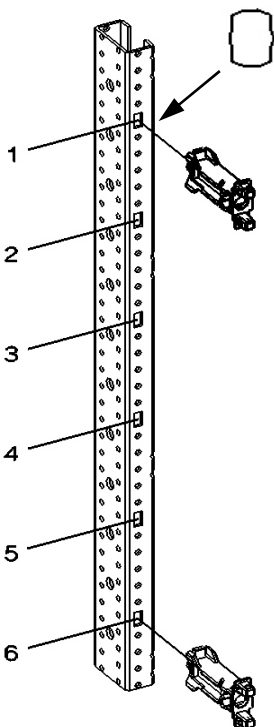
SV 9666.430/SV 9666.440



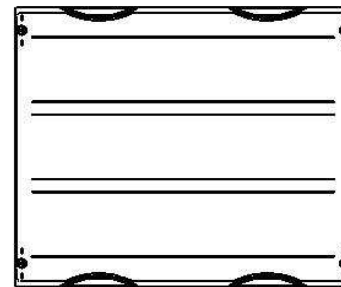
1 4x



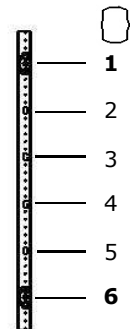
1



SV 9666.430	1/2	1 & 4
SV 9666.440	2/3	1 & 6



→ SV 9666.440 → 2/3 = 1 & 6







1.1



ISV Leistungsschalter-Modul

SV 9666.430/SV 9666.440



2  4x D5,4	3  4x M4,8x11,5	4  2x	 T25 AE 2Nm TS8 5Nm
---	--	---	---

2

6  1x		 PH2
---	--	--

3

DE Arbeiten an elektrischen Betriebsmitteln/Anlagen dürfen nur durch eine ausgebildete Elektrofachkraft gemäß DIN 57105 Teil 1 / VDE 0105 Teil 1 / DIN EN 50110-1 durchgeführt werden.


ES Sólo electricistas cualificados según norma DIN 57105 part 1 / VDE 0105 part 1 / DIN EN 50110-1 están autorizados a trabajar en instalaciones.

GB Only qualified electrical personell according to DIN 57105 part 1 / VDE 0105 part 1 / DIN EN 50110-1 are allowed to work on electrical installations.

RU Согласно DIN 57105, часть 1 / VDE0105, часть 1 / DIN EN 50110-1, на электрических установках разрешается работать только квалифицированному персоналу.

RITTAL GmbH & Co. KG
 Postfach 1662 • D-35726 Herborn
 Phone +49(0)2772 505-0 • Fax +49(0)2772 505-2319
 E-Mail: info@rittal.de • www.rittal.de

EDV.-Nr.: 118472/1
 01/12
 printed in Germany

SCHALTSCHRÄNKE	STROMVERTEILUNG	KLIMATISIERUNG	IT-INFRASTRUKTUR	SOFTWARE & SERVICE	
FRIEDHELM LOH GROUP					