

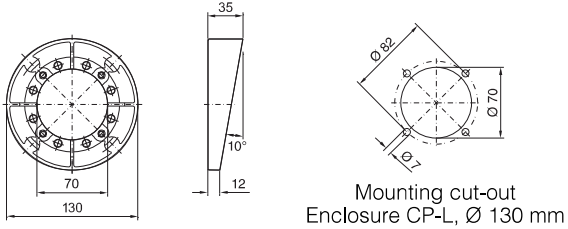
Enclosures

Support arm system CP-L

Tilting adaptor 10° CP-L

For support arm connection \varnothing 130 mm Catalogue 33, page 155

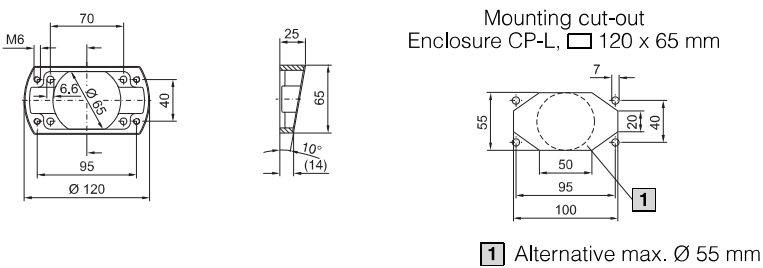
CP 6527.010



Tilting adaptor 10° CP-L

For support arm connection \square 120 x 65 mm Catalogue 33, page 155

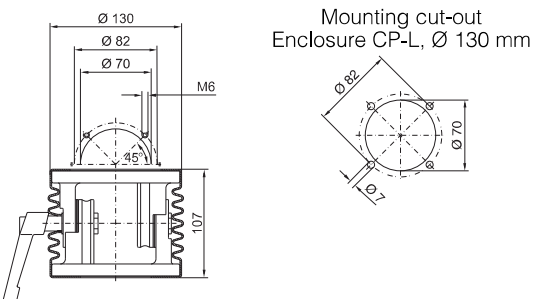
CP 6527.110



Tilting adaptor $\pm 45^\circ$ CP-L

For support arm connection \varnothing 130 mm Catalogue 33, page 155

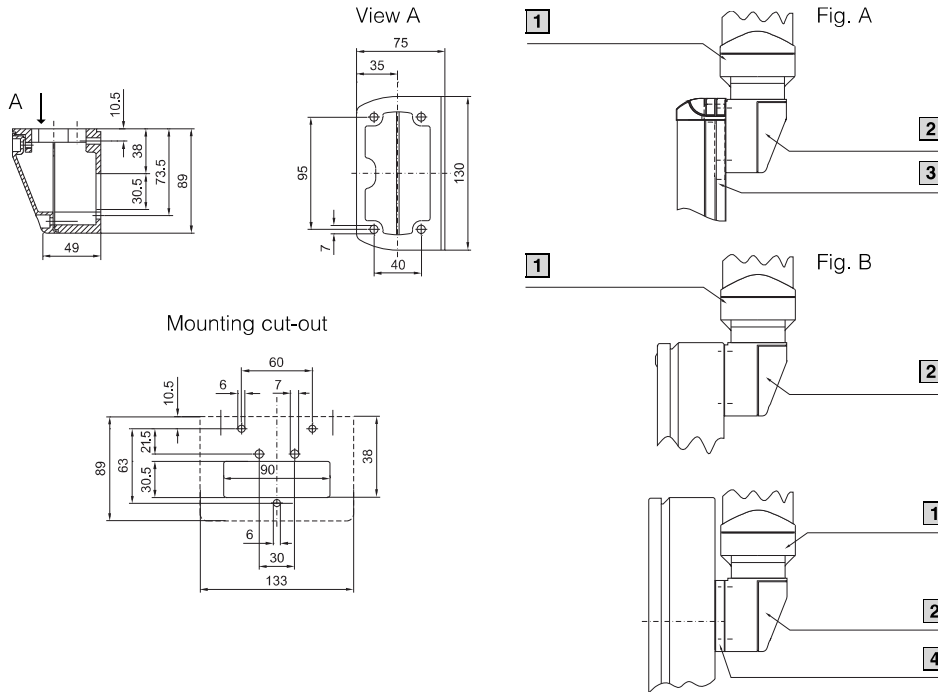
CP 6529.010



Connection console CP-L

Catalogue 33, page 155

CP 6508.010

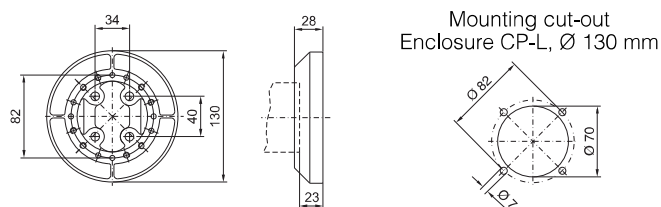


- 1** Support arm component CP-L, □ 120 x 65 mm
- 2** Connection console CP-L
- 3** Support plate (inside)
- 4** Spacer plate

Enclosure attachment CP-L

For support arm connection Ø 130 mm Catalogue 33, page 155

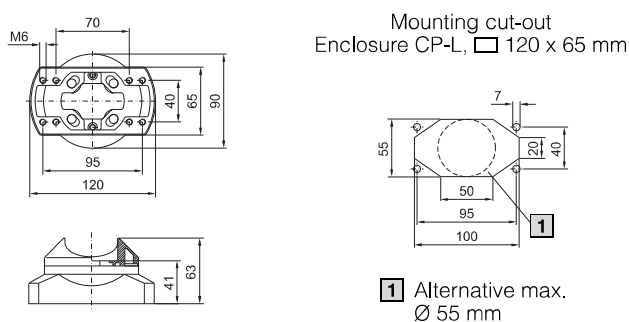
CP 6525.510



Enclosure attachment CP-L

For support arm connection □ 120 x 65 mm Catalogue 33, page 155

CP 6525.610



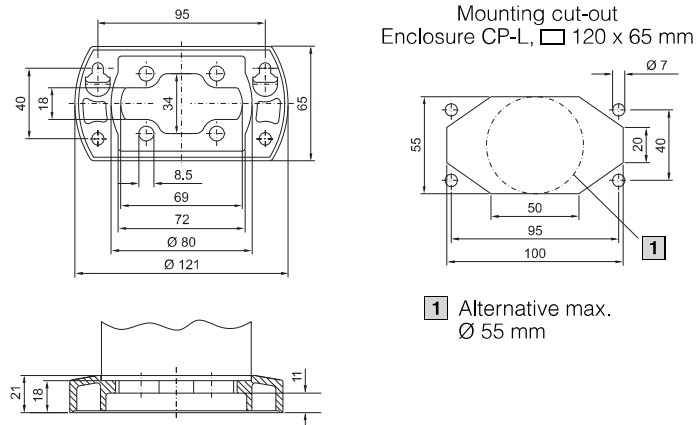
Enclosures

Support arm system CP-L

Enclosure attachment, locatable CP-L

For support arm connection $\square 120 \times 65 \text{ mm}$ Catalogue 33, page 155

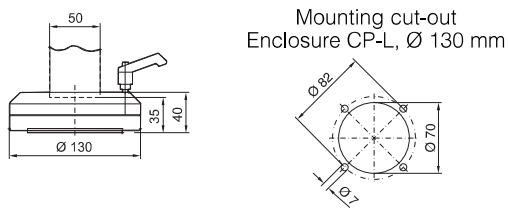
CP 6525.210



Housing coupling CP-L

For support arm connection $\text{Ø } 130 \text{ mm}$ Catalogue 33, page 155

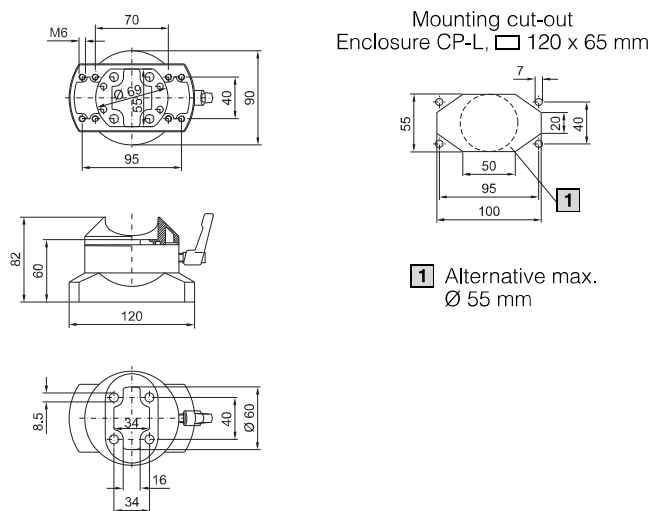
CP 6525.010



Housing coupling CP-L

For support arm connection $\square 120 \times 65 \text{ mm}$ Catalogue 33, page 155

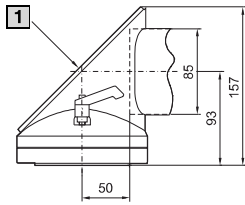
CP 6525.110



Angle coupling 90° CP-L

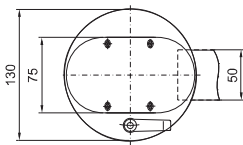
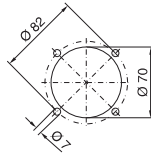
For support arm connection \varnothing 130 mm Catalogue 33, page 155

CP 6526.010



1 Removable plate

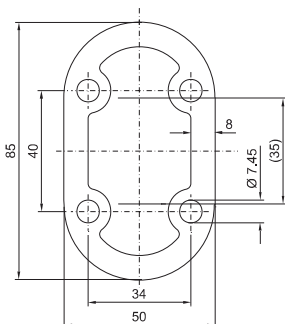
Mounting cut-out
Enclosure CP-L, \varnothing 130 mm



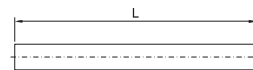
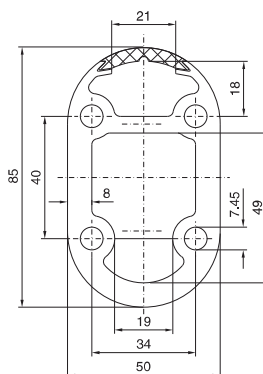
Support section CP-L

Catalogue 33, page 155

Closed



Open

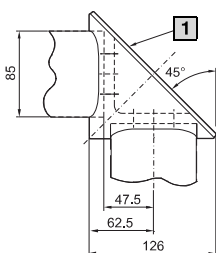


Length (L) mm	Support section	
	Closed	Open
	Model No. CP	
250	6509.000	–
500	6511.000	–
1000	6513.000	6513.050
2000	6515.000	–

Angle piece 90° CP-L

Catalogue 33, page 155

CP 6524.010



1 Removable plate
75 x 174 mm

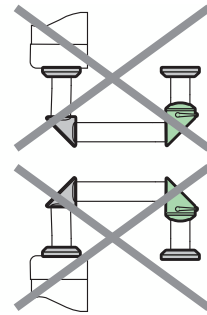
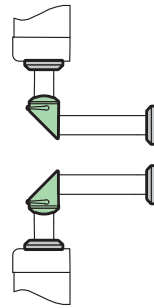
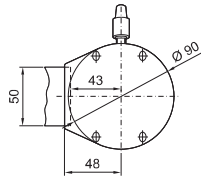
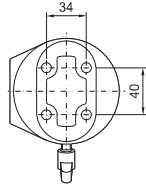
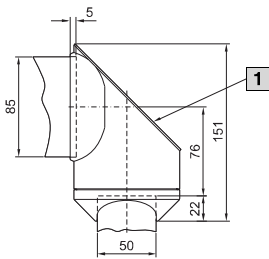
Enclosures

Support arm system CP-L

Articulated joint 90° CP-L

Catalogue 33, page 155

CP 6524.210

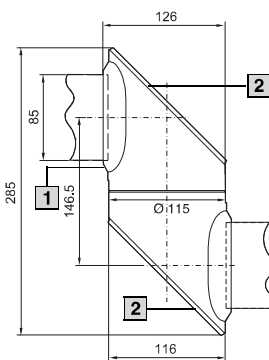


1 Removable plate

Intermediate hinge CP-L

Catalogue 33, page 155

CP 6523.010



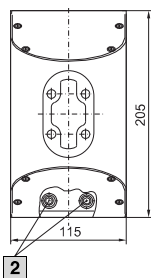
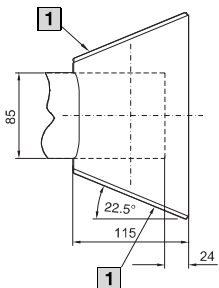
1 Screw for adjusting rotatability

2 Removable plate

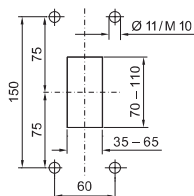
Wall/base mounting, large CP-L

Catalogue 33, page 155

CP 6520.010



Mounting cut-out



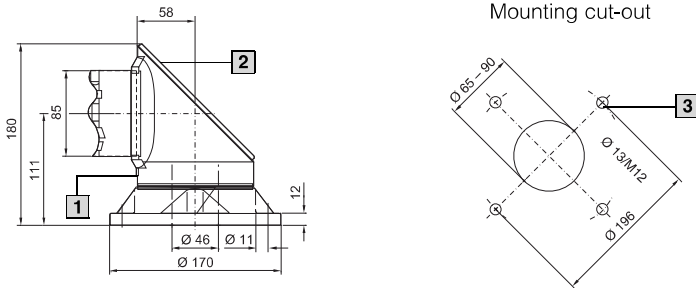
1 Removable plate

2 Adjusting screws

Top-mounted joint CP-L

Catalogue 33, page 155

CP 6522.010

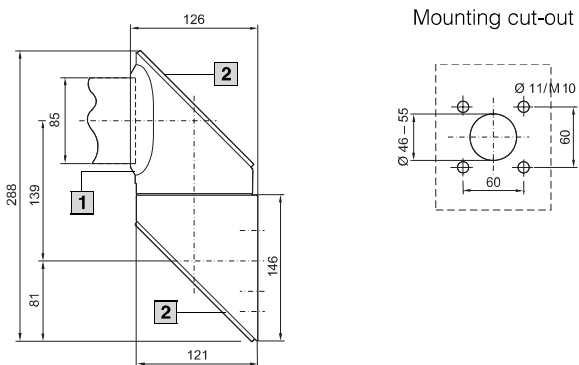


- 1** Screw for adjusting rotatability
- 2** Removable plate
- 3** Mounting surface

Wall-mounted hinge CP-L

Catalogue 33, page 155

CP 6521.010

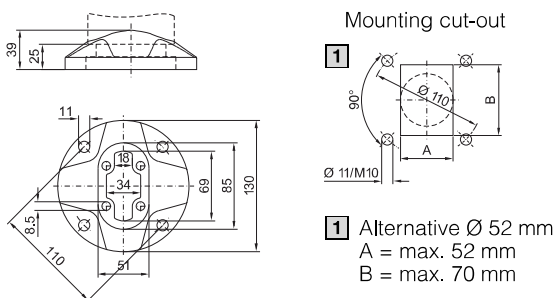


- 1** Screw for adjusting rotatability
- 2** Removable plate

Wall/base mounting, small, CP-L

Catalogue 33, page 155

CP 6520.510



- 1** Alternative $\text{Ø } 52 \text{ mm}$
A = max. 52 mm
B = max. 70 mm