

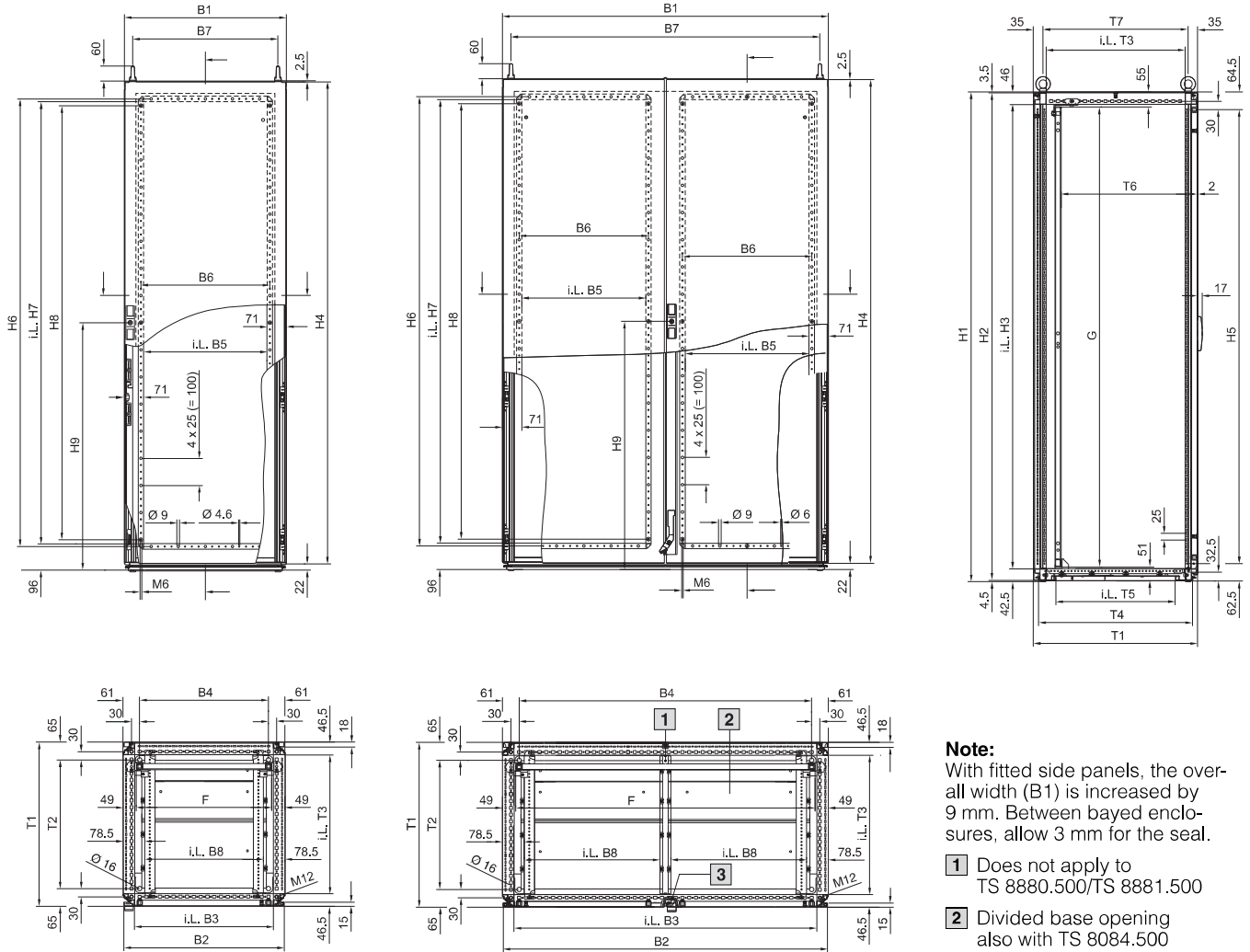
# Enclosures

## Enclosure systems

### Baying systems TS 8

**Spray-finished** Catalogue 33, page 72 – 77

**Stainless steel** Catalogue 33, page 194



i.L. = Clearance width

**Note:**

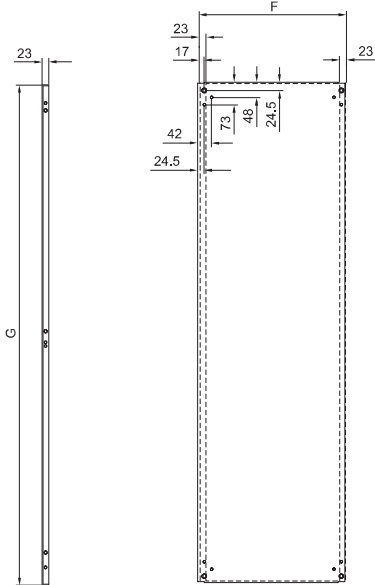
With fitted side panels, the overall width (B1) is increased by 9 mm. Between bayed enclosures, allow 3 mm for the seal.

- 1** Does not apply to TS 8880.500/TS 8881.500
- 2** Divided base opening also with TS 8084.500 (single-door)
- 3** In the vicinity of the adjacent door lock T6 is reduced by 45 mm

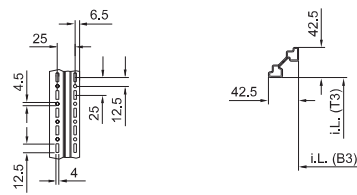
**Double-door**

Model No. TS		Width dimensions mm								Height dimensions mm									Depth dimensions mm							Mounting plates mm	
Spray-finished	Stainless steel	B1	B2	B3	B4	B5	B6	B7	B8	H1	H2	H3	H4	H5	H6	H7	H8	H9	T1	T2	T3	T4	T5	T6	T7	F	G
8215.500	–	1197	1192	1112	1075	455	475	1135	500	1205	1197	1112	1177.5	1075	1050	1030	1000	611	505	375	412	468	340	130 – 455	435	1099	1096
8245.500	–	1197	1192	1112	1075	455	475	1135	500	1405	1397	1312	1377.5	1275	1250	1230	1200	711	505	375	412	468	340	130 – 455	435	1099	1296
8080.500	–	997	992	912	875	355	375	935	400	1805	1797	1712	1777.5	1675	1650	1630	1600	911	405	275	312	368	240	130 – 355	335	899	1696
8284.500	8456.X00	1197	1192	1112	1075	455	475	1135	500	1805	1797	1712	1777.5	1675	1650	1630	1600	911	405	275	312	368	240	130 – 355	335	1099	1696
8880.500	–	797	792	712	675	255	275	735	640	1805	1797	1712	1777.5	1675	1650	1630	1600	911	505	375	412	468	340	130 – 455	435	699	1696
8285.500	8453.X00	1197	1192	1112	1075	455	475	1135	500	1805	1797	1712	1777.5	1675	1650	1630	1600	911	505	375	412	468	340	130 – 455	435	1099	1696
8881.500	–	797	792	712	675	255	275	735	640	1805	1797	1712	1777.5	1675	1650	1630	1600	911	605	475	512	568	440	130 – 555	535	699	1696
8286.500	–	1197	1192	1112	1075	455	475	1135	500	1805	1797	1712	1777.5	1675	1650	1630	1600	911	605	475	512	568	440	130 – 555	535	1099	1696
8004.500	–	997	992	912	875	355	375	935	400	2005	1997	1912	1977.5	1875	1850	1830	1800	1011	405	275	312	368	240	130 – 355	335	899	1896
8204.500	–	1197	1192	1112	1075	455	475	1135	500	2005	1997	1912	1977.5	1875	1850	1830	1800	1011	405	275	312	368	240	130 – 355	335	1099	1896
8005.500	–	997	992	912	875	355	375	935	400	2005	1997	1912	1977.5	1875	1850	1830	1800	1011	505	375	412	468	340	130 – 455	435	899	1896
8205.500	–	1197	1192	1112	1075	455	475	1135	500	2005	1997	1912	1977.5	1875	1850	1830	1800	1011	505	375	412	468	340	130 – 455	435	1099	1896
8006.500	–	997	992	912	875	355	375	935	400	2005	1997	1912	1977.5	1875	1850	1830	1800	1011	605	475	512	568	440	130 – 555	535	899	1896
8206.500	8451.X00	1197	1192	1112	1075	455	475	1135	500	2005	1997	1912	1977.5	1875	1850	1830	1800	1011	605	475	512	568	440	130 – 555	535	1099	1896
8208.500	–	1197	1192	1112	1075	455	475	1135	500	2005	1997	1912	1977.5	1875	1850	1830	1800	1011	805	675	712	768	640	130 – 755	735	1099	1896
8226.500	–	1197	1192	1112	1075	455	475	1135	500	2205	2197	2112	2177.5	2075	2050	2030	2000	1111	605	475	512	568	440	130 – 555	535	1099	2096
8265.500	–	1197	1192	1112	1075	455	475	1135	500	1605	1597	1512	1577.5	1475	1450	1430	1400	811	505	375	412	468	340	130 – 455	435	1099	1496

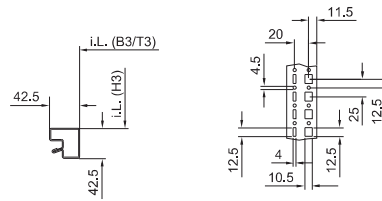
Mounting plate



Cross-sections vertical



Horizontal



i.L. = Clearance width

### Enclosure

- B1 = Overall width
- B2 = Width of door
- B3 = Clearance of enclosure frame
- B4 = Section length of system punchings/hole spacing base/plinth attachment
- B5 = Clearance of tubular door frame
- B6 = Distance between axes of tubular door frame holes
- B7 = Distance between the lifting eyes
- B8 = Clearance in the base opening
- H1 = Overall height
- H2 = Height of rear panel
- H3 = Clearance of enclosure frame
- H4 = Height of door
- H5 = Section length of system punchings
- H6 = Distance between axes of tubular door frame holes
- H7 = Clearance of tubular door frame
- H8 = Distance between the fastening bolts of the tubular door frame
- H9 = Distance from base to centre of lock
- T1 = Overall depth
- T2 = Section length of system punchings/hole spacing base/plinth attachment
- T3 = Clearance of enclosure frame
- T4 = Depth of base frame
- T5 = Clearance of base opening
- T6 = Possible mounting depth (mounting plate assembly) depth-adjustable on a 25 mm pitch pattern
- T7 = Centre of lifting eye to centre of lifting eye

### Mounting plate

- F = Overall width
- G = Overall height

### Single-door

Model No. TS		Width dimensions mm								Height dimensions mm									Depth dimensions mm							Mounting plates mm	
Spray-finished	Stainless steel	B1	B2	B3	B4	B5	B6	B7	B8	H1	H2	H3	H4	H5	H6	H7	H8	H9	T1	T2	T3	T4	T5	T6	T7	F	G
8615.500	-	597	592	512	475	455	475	535	440	1205	1197	1112	1177.5	1075	1050	1030	1000	611	505	375	412	468	340	130 - 455	435	499	1096
8815.500	-	797	792	712	675	655	675	735	640	1205	1197	1112	1177.5	1075	1050	1030	1000	611	505	375	412	468	340	130 - 455	435	699	1096
8645.500	-	597	592	512	475	455	475	535	440	1405	1397	1312	1377.5	1275	1250	1230	1200	711	505	375	412	468	340	130 - 455	435	499	1296
8845.500	-	797	792	712	675	655	675	735	640	1405	1397	1312	1377.5	1275	1250	1230	1200	711	505	375	412	468	340	130 - 455	435	499	1296
8684.500	-	597	592	512	475	455	475	535	440	1805	1797	1712	1777.5	1675	1650	1630	1600	911	405	275	312	368	240	130 - 355	335	499	1696
8884.500	8454.X00	797	792	712	675	655	675	735	640	1805	1797	1712	1777.5	1675	1650	1630	1600	911	405	275	312	368	240	130 - 355	335	699	1696
8084.500	-	997	992	912	875	855	875	935	400	1805	1797	1712	1777.5	1675	1650	1630	1600	911	405	275	312	368	240	130 - 355	335	899	1696
8485.510	-	397	392	312	275	255	275	335	240	1805	1797	1712	1777.5	1675	1650	1630	1600	911	505	375	412	468	340	130 - 455	435	-	-
8685.500	8457.X00	597	592	512	475	455	475	535	440	1805	1797	1712	1777.5	1675	1650	1630	1600	911	505	375	412	468	340	130 - 455	435	499	1696
8885.500	8455.X00	797	792	712	675	655	675	735	640	1805	1797	1712	1777.5	1675	1650	1630	1600	911	505	375	412	468	340	130 - 455	435	699	1696
8486.510	-	397	392	312	275	255	275	335	240	1805	1797	1712	1777.5	1675	1650	1630	1600	911	605	475	512	568	440	130 - 555	535	-	-
8686.500	-	597	592	512	475	455	475	535	440	1805	1797	1712	1777.5	1675	1650	1630	1600	911	605	475	512	568	440	130 - 555	535	499	1696
8886.500	-	797	792	712	675	655	675	735	640	1805	1797	1712	1777.5	1675	1650	1630	1600	911	605	475	512	568	440	130 - 555	535	699	1696
8604.500	-	597	592	512	475	455	475	535	440	2005	1997	1912	1977.5	1875	1850	1830	1800	1011	405	275	312	368	240	130 - 355	335	499	1896
8804.500	-	797	792	712	675	655	675	735	640	2005	1997	1912	1977.5	1875	1850	1830	1800	1011	405	275	312	368	240	130 - 355	335	699	1896
8405.510	-	397	392	312	275	255	275	335	240	2005	1997	1912	1977.5	1875	1850	1830	1800	1011	505	375	412	468	340	130 - 455	435	-	-
8605.500	-	597	592	512	475	455	475	535	440	2005	1997	1912	1977.5	1875	1850	1830	1800	1011	505	375	412	468	340	130 - 455	435	499	1896
8805.500	-	797	792	712	675	655	675	735	640	2005	1997	1912	1977.5	1875	1850	1830	1800	1011	505	375	412	468	340	130 - 455	435	699	1896
8406.510	-	397	392	312	275	255	275	335	240	2005	1997	1912	1977.5	1875	1850	1830	1800	1011	605	475	512	568	440	130 - 555	535	-	-
8606.500	8452.X00	597	592	512	475	455	475	535	440	2005	1997	1912	1977.5	1875	1850	1830	1800	1011	605	475	512	568	440	130 - 555	535	499	1896
8806.500	8450.X00	797	792	712	675	655	675	735	640	2005	1997	1912	1977.5	1875	1850	1830	1800	1011	605	475	512	568	440	130 - 555	535	699	1896
8608.500	-	597	592	512	475	455	475	535	440	2005	1997	1912	1977.5	1875	1850	1830	1800	1011	805	675	712	768	640	130 - 755	735	499	1896
8808.500	-	797	792	712	675	655	675	735	640	2005	1997	1912	1977.5	1875	1850	1830	1800	1011	805	675	712	768	640	130 - 755	735	699	1896
8626.500	-	597	592	512	475	455	475	535	440	2205	2197	2112	2177.5	2075	2050	2030	2000	1111	605	475	512	568	440	130 - 555	535	499	2096
8826.500	-	797	792	712	675	655	675	735	640	2205	2197	2112	2177.5	2075	2050	2030	2000	1111	605	475	512	568	440	130 - 555	535	699	2096
8665.500	-	597	592	512	475	455	475	535	440	1605	1597	1512	1577.5	1475	1450	1430	1400	811	505	375	412	468	340	130 - 455	435	499	1496
8865.500	-	797	792	712	675	655	675	735	640	1605	1597	1512	1577.5	1475	1450	1430	1400	811	505	375	412	468	340	130 - 455	435	699	1496