

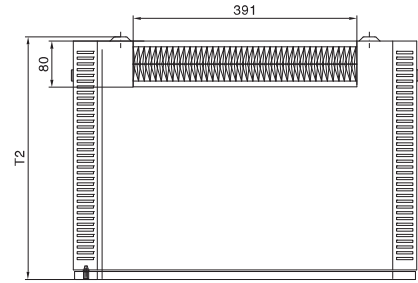
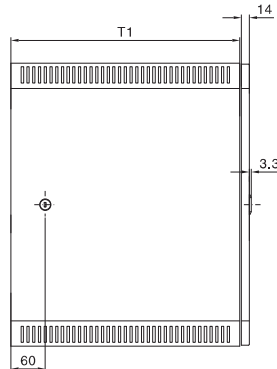
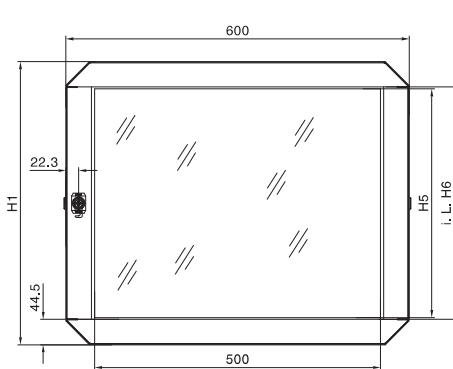
# Enclosures

## Wall-mounted network enclosures

### QuickBox

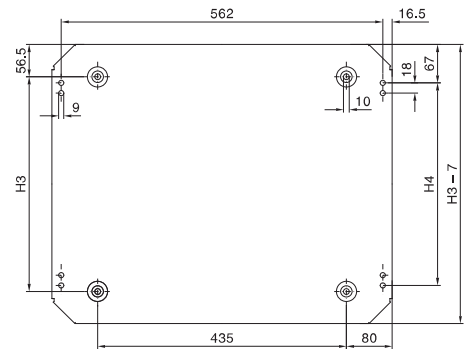
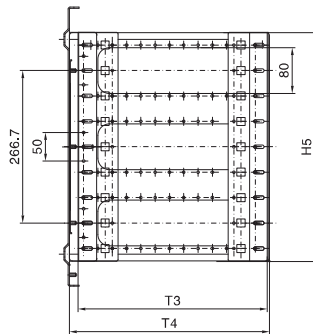
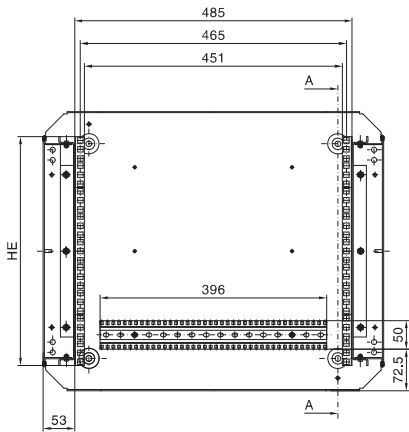
With glazed door Catalogue 33, page 59, 60

With sheet steel door Catalogue 33, page 60

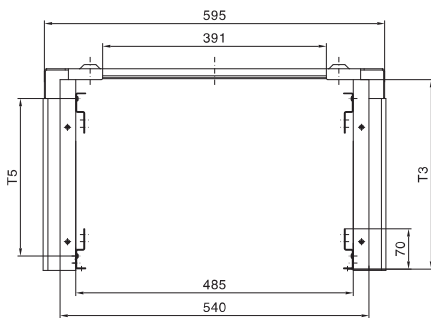


i.L. = Clearance width

Rear view



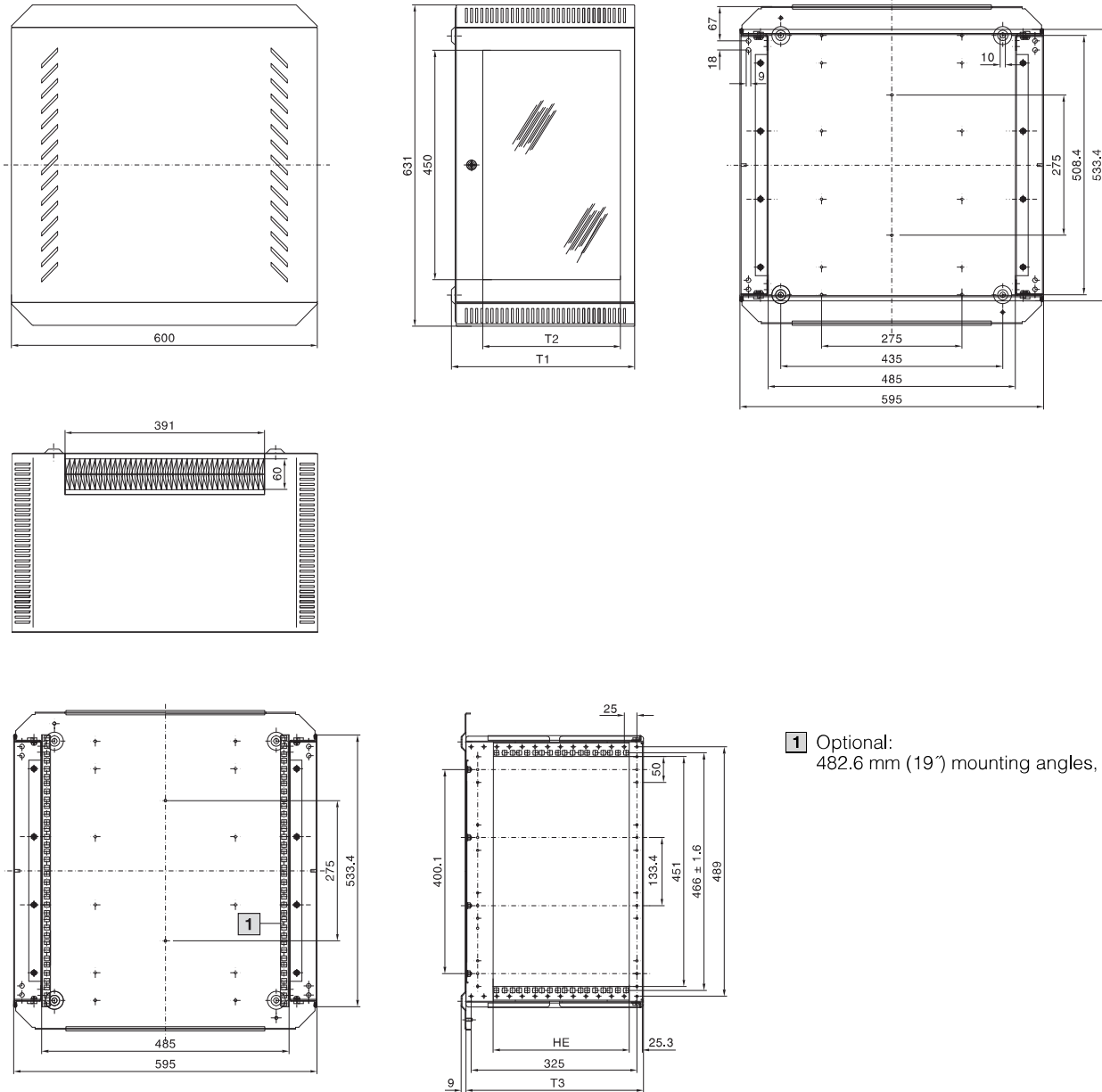
Section A – A



Model No. DK		U (HE)	Height dimensions mm					Depth dimensions mm					
Glazed door	Sheet steel door		H1	H2	H3	H4	H5	H6	T1	T2	T3	T4	T5
7502.013	–	6	362	361.6	241.6	220.5	266.7	272.7	300	324	230	250	–
7502.014	7502.114	6	362	361.6	241.6	220.5	266.7	272.7	400	424	330	350	275
7502.016	–	6	362	361.6	241.6	220.5	266.7	272.7	600	624	530	550	475
7502.024	7502.124	9	495	495	375	353.9	400	406	400	424	330	350	275
7502.026	7502.126	9	495	495	375	353.9	400	406	600	624	530	550	475
7502.034	–	12	628	628.3	508.3	487.2	533.4	539.4	400	424	330	350	275
7502.035	–	12	628	628.3	508.3	487.2	533.4	539.4	500	524	430	450	375
7502.036	7502.136	12	628	628.3	508.3	487.2	533.4	539.4	600	624	530	550	475
7502.436	–	12	628	628.3	508.3	487.2	533.4	539.4	600	624	530	550	475
7502.044	7502.144	15	762	761.7	641.7	620.6	666.7	672.7	400	424	330	350	275
7502.045	–	15	762	761.7	641.7	620.6	666.7	672.7	500	524	430	450	375
7502.046	7502.146	15	762	761.7	641.7	620.6	666.7	672.7	600	624	530	550	475
7502.446	–	15	762	761.7	641.7	620.6	666.7	672.7	600	624	530	550	475
7502.054	–	18	895	895	775	753.9	800	806	400	424	330	350	275
7502.056	–	18	895	895	775	753.9	800	806	600	624	530	550	475
7502.064	–	21	1028	1028.4	908.4	887.3	933.4	939.4	400	424	330	350	275
7502.066	7502.166	21	1028	1028.4	908.4	887.3	933.4	939.4	600	624	530	550	475

### QuickBox

With vertical 482.6 mm (19") level Catalogue 33, page 61



**1** Optional:  
482.6 mm (19") mounting angles, max. 12 U

Model No. DK	U (HE)	Depth dimensions mm		
		T1	T2	T3
7502.630	3	210	134	198
7502.660	6	360	270	348