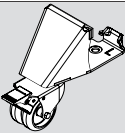
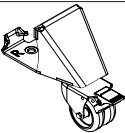
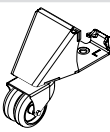
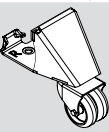
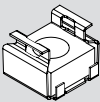

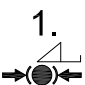
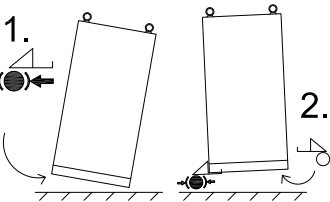

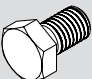




www.rittal.com



<p>1 x  Type L</p> <p>→(●)←</p>	<p>1 x  Type R</p> <p>→(●)←</p>
<p>1 x  Type L</p>	<p>1 x  Type R</p>
<p>4 x  M12</p>	<p></p> <p>1. </p> <p>2. </p>
<p>4 x  Ø13</p>	
<p>4 x  M12x20</p>	

Dok.-Nr. / No of doc.: D-0000-00003343-01  
Versandbeutel-Nr. / No. of accessory bag:

Country of origin:  
Lieferanten-Nr. / No. of supplier:

