

IT power

Power Distribution Unit

Metered plus, switched, managed version

PDU metered plus

Energy measurement per output connector, to determine the power requirements of individual consumers

PDU switched

Measurement function per phase and individually switchable output slots

PDU managed

High-end IT rack, power distribution with energy measurement and monitoring functions for each individual output slot

Benefits:

- With the compact PDU, any IT rack is easily equipped with a professional power distribution system
- With the VX IT rack, assembly is tool-free
- Compact design
- Easy to install, even in the zero-U space
- Power-saving design with minimal inherent consumption by the PDU itself, thanks to the use of bistable relays and durable TFT colour display with power-saving function
- Integral Web server for direct network connection with extensive user administration functions
- Redundant power supply from all 3 phases and additionally via an existing PoE (Power over Ethernet) network, for managed and switched PDUs only
- Extensive range of management and monitoring functions
- High-MTBF and measurement accuracy of $\pm 1\%$
- Redundant network interface, may also be used for cascading up to 16 PDUs (not with PDU basic)
- Electric handle systems and ambient monitoring with up to 16 CMC III sensors (temperature, humidity, access, vandalism)
- 2 x Gigabit Ethernet interfaces for fully redundant network connection
- PDU controller may be replaced without having to disconnect the PDU from the power supply



Material:

- Extruded aluminium section, anodised

Protection category IP to IEC 60 529:

- IP 20

Supply includes:

- Connector lock for IEC C14 and C20 connectors
- Assembly parts

Standards:

- EN 62 368-1
- EN 61 000-4
- EN 61 000-6
- EN 55 022

Assembly instructions:

- For mounting on VX IT punched sections with mounting flanges or foreign racks, mounting adaptor 7000.688 is additionally required

Low Voltage Directive:

- 2014/35/EU

EMC directive:

- 2014/30/EU

PDU metered plus

Model No. DK	Power			Slots/slot type				Function		Dimensions	PDU installed in rack/ min. enclosure height mm		Page
	No. of phases	Phase current A	Output kW	Input	Outputs IEC C13	Outputs IEC C19	Outputs Earthing-pin	Measuring	Switching	PDU length mm	VX IT rack frame	VX IT (zero U) 482.6 mm (19") mounting angles	
7979.502	1~	16	3.7	IEC C20	6	-	-	per output	-	450 (19"/1 U)	800	800	3
7979.503	1~	16	3.7	CEE	-	-	4	per output	-	450 (19"/1 U)	800	800	3
7979.504	1~	32	7.4	CEE	4	2	-	per output	-	450 (19"/1 U)	800	800	4
7979.510	1~	16	3.7	CEE	12	1	-	per output	-	845	1200	1200	5
7979.511	1~	16	3.7	CEE	-	-	10	per output	-	1095	1200	1800	6
7979.512	1~	32	7.4	CEE	16	2	-	per output	-	1095	1200	1800	7
7979.513	1~	32	7.4	CEE	12	4	-	per output	-	1095	1200	1800	8
7979.514	1~	32	7.4	CEE	-	-	16	per output	-	1495	1800	1800	9
7979.515	1~	16	3.7	CEE	24	4	-	per output	-	1295	1800	1800	10
7979.516	1~	32	7.4	CEE	24	4	-	per output	-	1495	1800	1800	11
7979.530	3~	16	11	CEE	-	9	-	per output	-	845	1200	1200	12
7979.531	3~	32	22	CEE	-	12	-	per output	-	1495	1800	1800	13
7979.532	3~	16	11	CEE	6	6	-	per output	-	1095	1200	1200	14
7979.533	3~	16	11	CEE	-	-	18	per output	-	1495	1800	1800	15
7979.534	3~	32	22	CEE	-	-	24	per output	-	2095	2200	2200	16
7979.535	3~	16	11	CEE	18	3	-	per output	-	1095	1200	1800	17
7979.536	3~	16	11	CEE	24	6	-	per output	-	1495	1800	1800	18
7979.537	3~	32	22	CEE	24	6	-	per output	-	1740	2000	2000	19
7979.538	3~	16	11	CEE	18	12	-	per output	-	1695	1800	2000	20
7979.539	3~	32	22	CEE	12	12	-	per output	-	1695	1800	2000	21
7979.540	3~	16	11	CEE	36	6	-	per output	-	1895	2000	2200	22
7979.542	3~	16	11	CEE	42	-	-	per output	-	1695	1800	2000	23

Power Distribution Unit

Metered plus, switched, managed version

PDU switched

Model No. DK	Power			Slots/slot type				Function		Dimensions	PDU installed in rack/ min. enclosure height mm		Page
	No. of phases	Phase current A	Output kW	Input	Outputs IEC C13	Outputs IEC C19	Outputs Earthing-pin	Measuring	Switching	PDU length mm	VX IT rack frame	VX IT (zero U) 482.6 mm (19") mounting angles	
7979.302	1~	16	3.7	IEC C20	6	–	–	per phase	■	450 (19"/1 U)	800	800	3
7979.303	1~	16	3.7	CEE	–	–	4	per phase	■	450 (19"/1 U)	800	800	3
7979.304	1~	32	7.4	CEE	4	2	–	per phase	■	450 (19"/1 U)	800	800	4
7979.310	1~	16	3.7	CEE	12	1	–	per phase	■	845	1200	1200	5
7979.311	1~	16	3.7	CEE	–	–	10	per phase	■	1095	1200	1800	6
7979.312	1~	32	7.4	CEE	16	2	–	per phase	■	1095	1200	1800	7
7979.313	1~	32	7.4	CEE	12	4	–	per phase	■	1095	1200	1800	8
7979.314	1~	32	7.4	CEE	–	–	16	per phase	■	1495	1800	1800	9
7979.315	1~	16	3.7	CEE	24	4	–	per phase	■	1295	1800	1800	10
7979.316	1~	32	7.4	CEE	24	4	–	per phase	■	1495	1800	1800	11
7979.317	1~	16	3.7	IEC C20	12	1	–	per phase	■	845	1200	1200	
7979.318	1~	16	3.7	IEC C20	18	2	–	per phase	■	1095	1200	1800	
7979.330	3~	16	11	CEE	–	9	–	per phase	■	845	1200	1200	12
7979.331	3~	32	22	CEE	–	12	–	per phase	■	1495	1800	1800	13
7979.332	3~	16	11	CEE	6	6	–	per phase	■	1095	1200	1200	14
7979.333	3~	16	11	CEE	–	–	18	per phase	■	1495	1800	1800	15
7979.334	3~	32	22	CEE	–	–	24	per phase	■	2095	2200	2200	16
7979.335	3~	16	11	CEE	18	3	–	per phase	■	1095	1200	1800	17
7979.336	3~	16	11	CEE	24	6	–	per phase	■	1495	1800	1800	18
7979.337	3~	32	22	CEE	24	6	–	per phase	■	1740	2000	2000	19
7979.338	3~	16	11	CEE	18	12	–	per phase	■	1695	1800	2000	20
7979.339	3~	32	22	CEE	12	12	–	per phase	■	1695	1800	2000	21
7979.340	3~	16	11	CEE	36	6	–	per phase	■	1895	2000	2200	22
7979.342	3~	16	11	CEE	42	–	–	per phase	■	1695	1800	2000	23

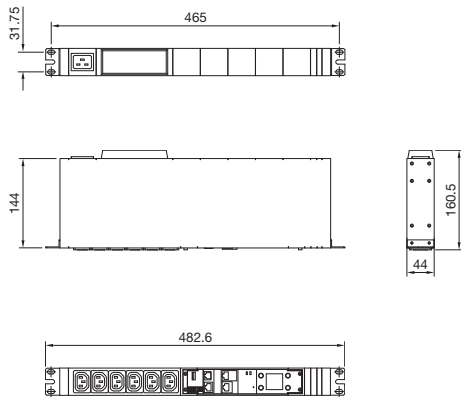
PDU managed

Model No.	Power			Slots/slot type				Function		Dimensions	PDU installed in rack/ min. enclosure height mm		Page
	No. of phases	Phase current A	Output kW	Input	Outputs IEC C13	Outputs IEC C19	Outputs Earthing-pin	Measuring	Switching	PDU length mm	VX IT rack frame	VX IT (zero U) 482.6 mm (19") mounting angles	
7979.402	1~	16	3.7	IEC C20	6	–	–	per output	■	450 (19"/1 U)	800	800	3
7979.403	1~	16	3.7	CEE	–	–	4	per output	■	450 (19"/1 U)	800	800	3
7979.404	1~	32	7.4	CEE	4	2	–	per output	■	450 (19"/1 U)	800	800	4
7979.410	1~	16	3.7	CEE	12	1	–	per output	■	845	1200	1200	5
7979.411	1~	16	3.7	CEE	–	–	10	per output	■	1095	1200	1800	6
7979.412	1~	32	7.4	CEE	16	2	–	per output	■	1095	1200	1800	7
7979.413	1~	32	7.4	CEE	12	4	–	per output	■	1095	1200	1800	8
7979.414	1~	32	7.4	CEE	–	–	16	per output	■	1495	1800	1800	9
7979.415	1~	16	3.7	CEE	24	4	–	per output	■	1295	1800	1800	10
7979.416	1~	32	7.4	CEE	24	4	–	per output	■	1495	1800	1800	11
7979.417	1~	16	3.7	IEC C20	12	1	–	per output	■	845	1200	1200	
7979.418	1~	16	3.7	IEC C20	18	2	–	per output	■	1095	1200	1800	
7979.430	3~	16	11	CEE	–	9	–	per output	■	845	1200	1200	12
7979.431	3~	32	22	CEE	–	12	–	per output	■	1495	1800	1800	13
7979.432	3~	16	11	CEE	6	6	–	per output	■	1095	1200	1200	14
7979.433	3~	16	11	CEE	–	–	18	per output	■	1495	1800	1800	15
7979.434	3~	32	22	CEE	–	–	24	per output	■	2095	2200	2200	16
7979.435	3~	16	11	CEE	18	3	–	per output	■	1095	1200	1800	17
7979.436	3~	16	11	CEE	24	6	–	per output	■	1495	1800	1800	18
7979.437	3~	32	22	CEE	24	6	–	per output	■	1740	2000	2000	19
7979.438	3~	16	11	CEE	18	12	–	per output	■	1695	1800	2000	20
7979.439	3~	32	22	CEE	12	12	–	per output	■	1695	1800	2000	21
7979.440	3~	16	11	CEE	36	6	–	per output	■	1895	2000	2200	22
7979.442	3~	16	11	CEE	42	–	–	per output	■	1695	1800	2000	23

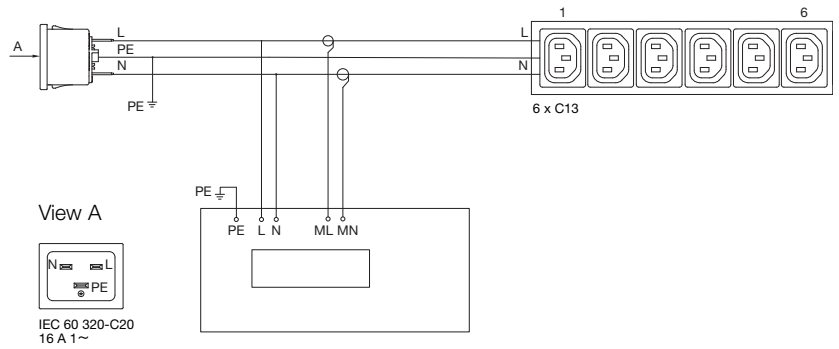
Power Distribution Unit

Metered plus, switched, managed version

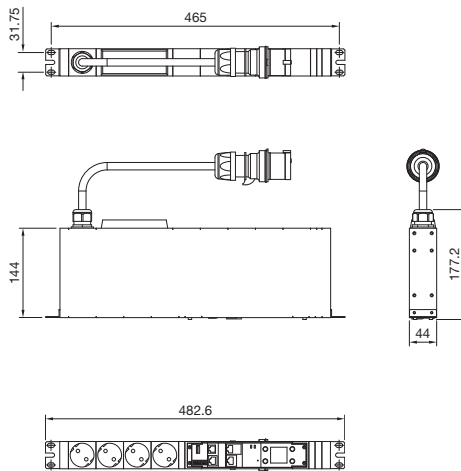
DK 7979.502, DK 7979.302, DK 7979.402



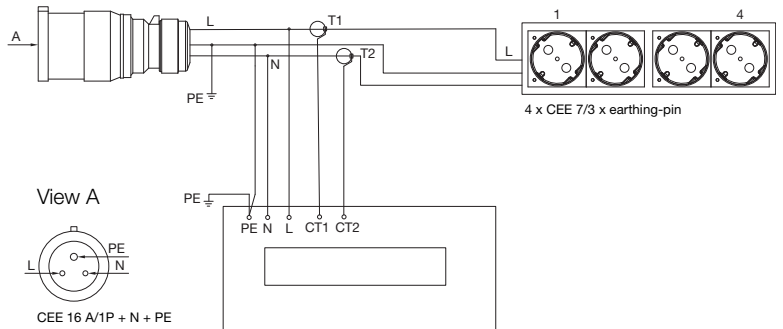
Circuit diagram



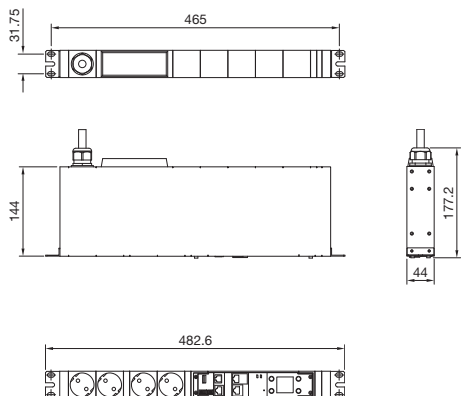
DK 7979.503, DK 7979.303



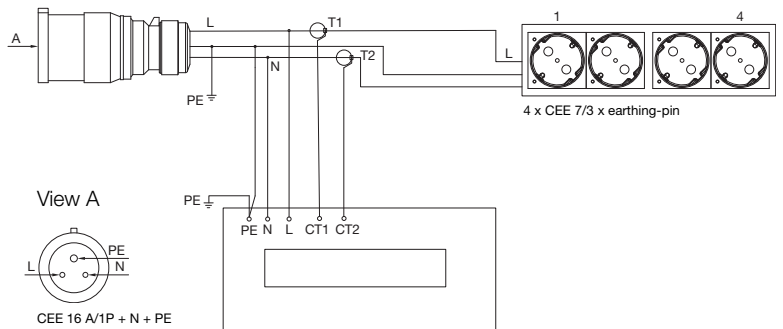
Circuit diagram



DK 7979.403



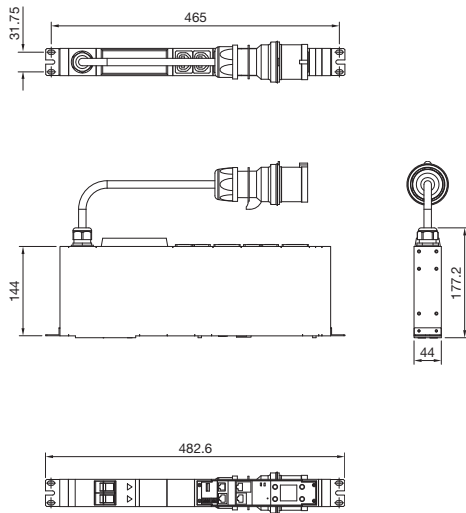
Circuit diagram



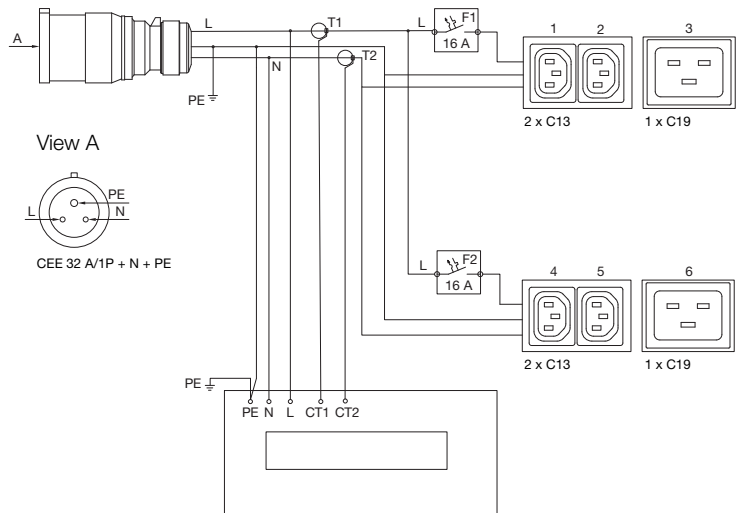
Power Distribution Unit

Metered plus, switched, managed version

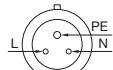
DK 7979.504, DK 7979.304



Circuit diagram

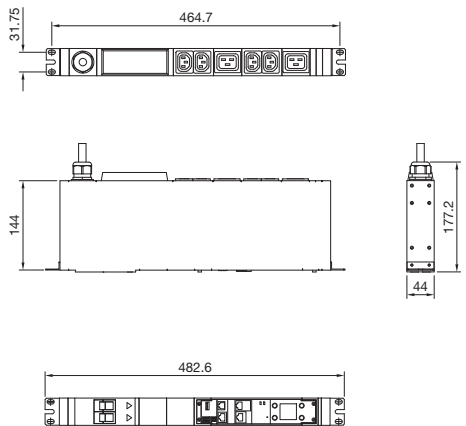


View A

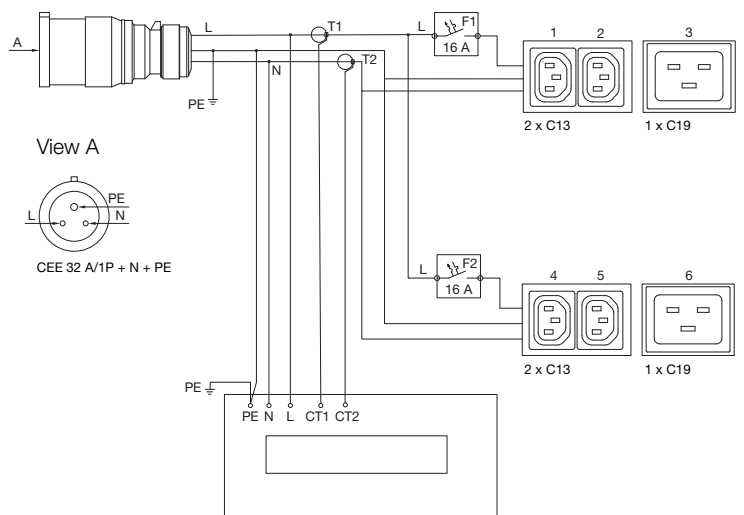


CEE 32 A/1P + N + PE

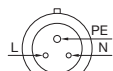
DK 7979.404



Circuit diagram



View A



CEE 32 A/1P + N + PE

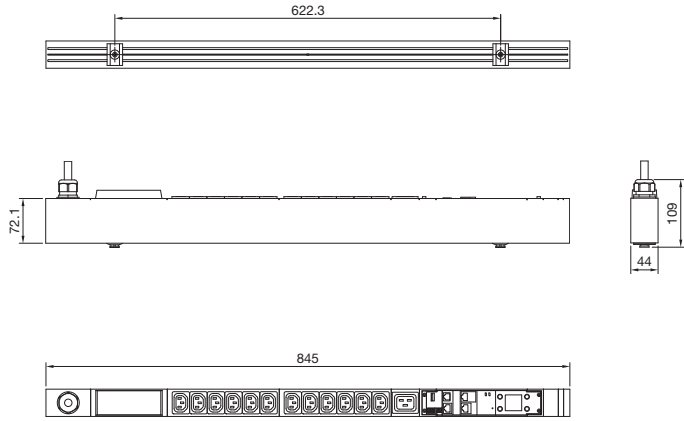
IT Infrastructure

IT power

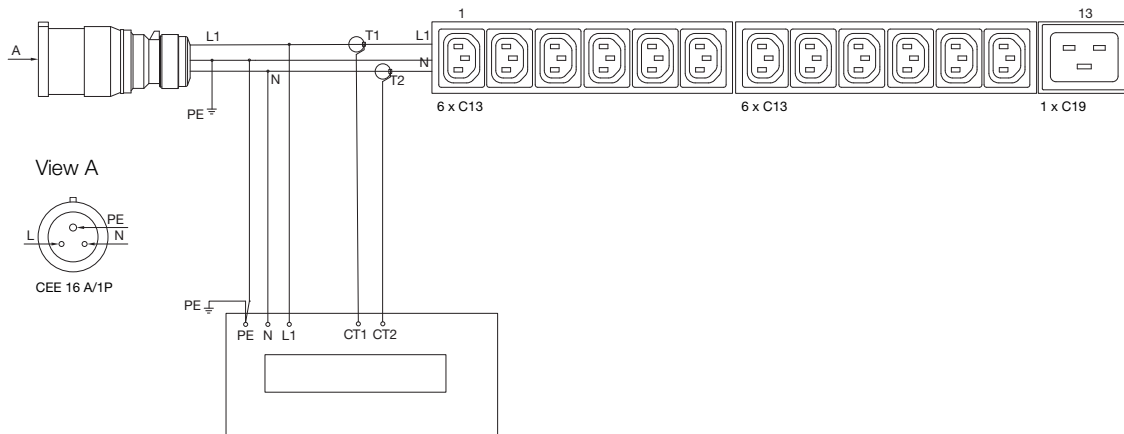
Power Distribution Unit

Metered plus, switched, managed version

DK 7979.510, DK 7979.310, DK 7979.410



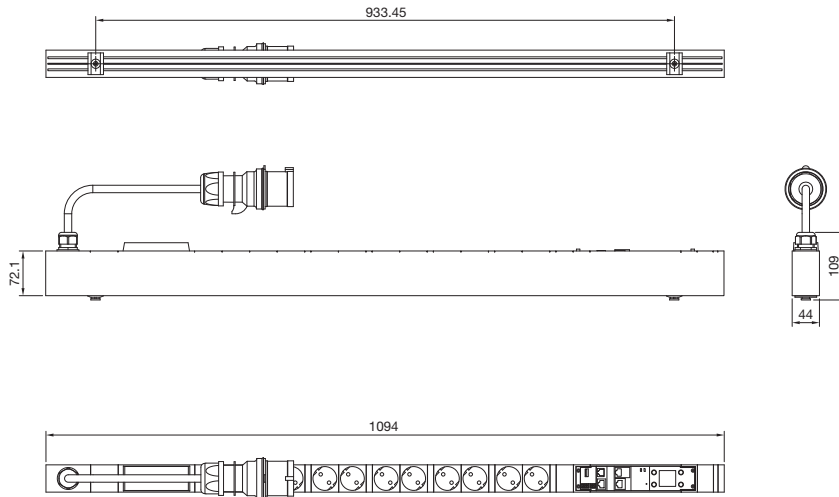
Circuit diagram



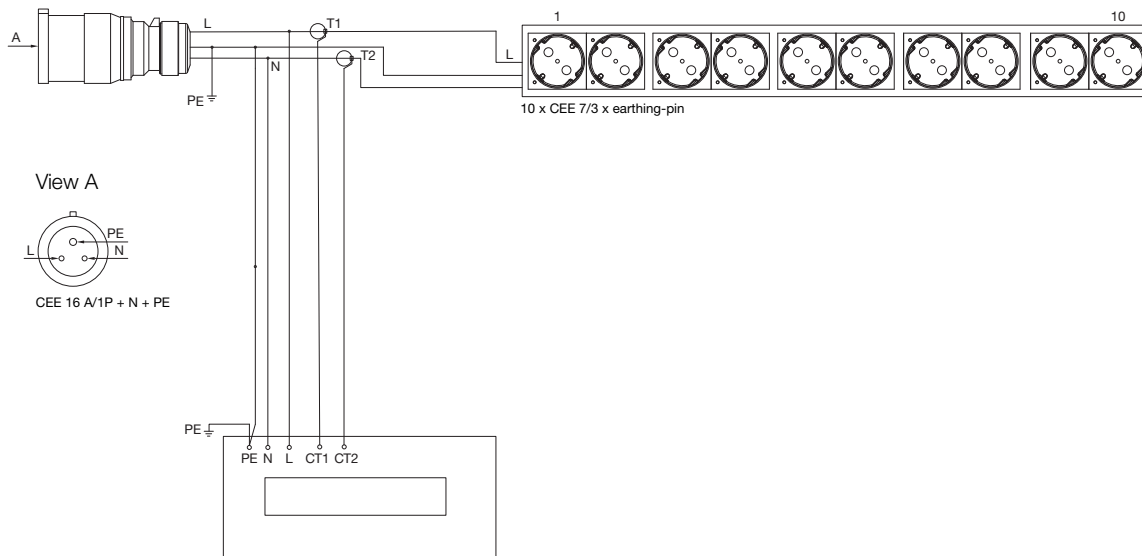
Power Distribution Unit

Metered plus, switched, managed version

DK 7979.511, DK 7979.311, DK 7979.411



Circuit diagram



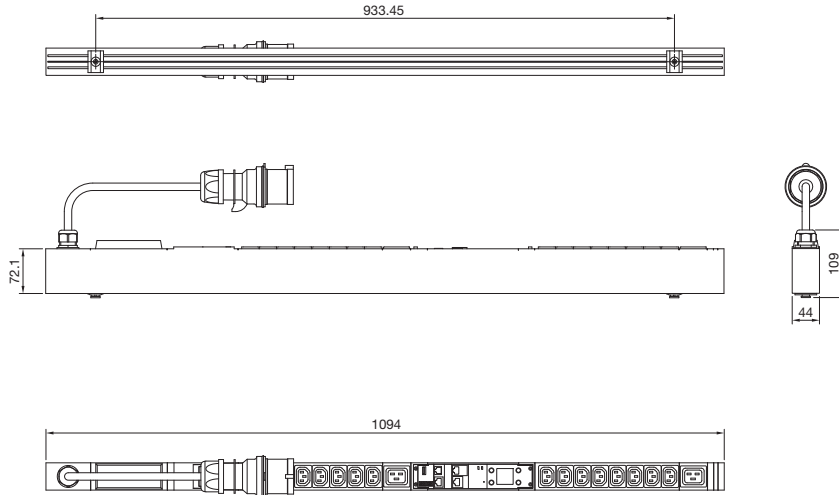
IT Infrastructure

IT power

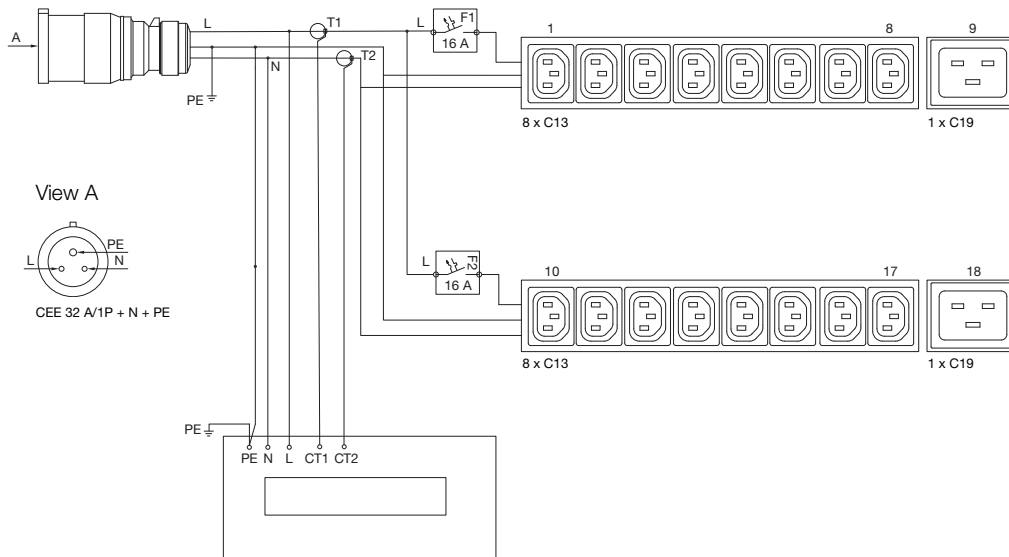
Power Distribution Unit

Metered plus, switched, managed version

DK 7979.512, DK 7979.312, DK 7979.412



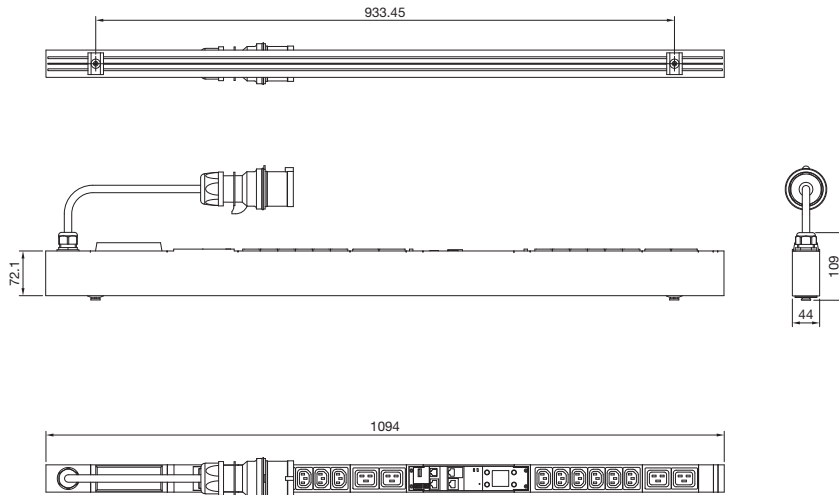
Circuit diagram



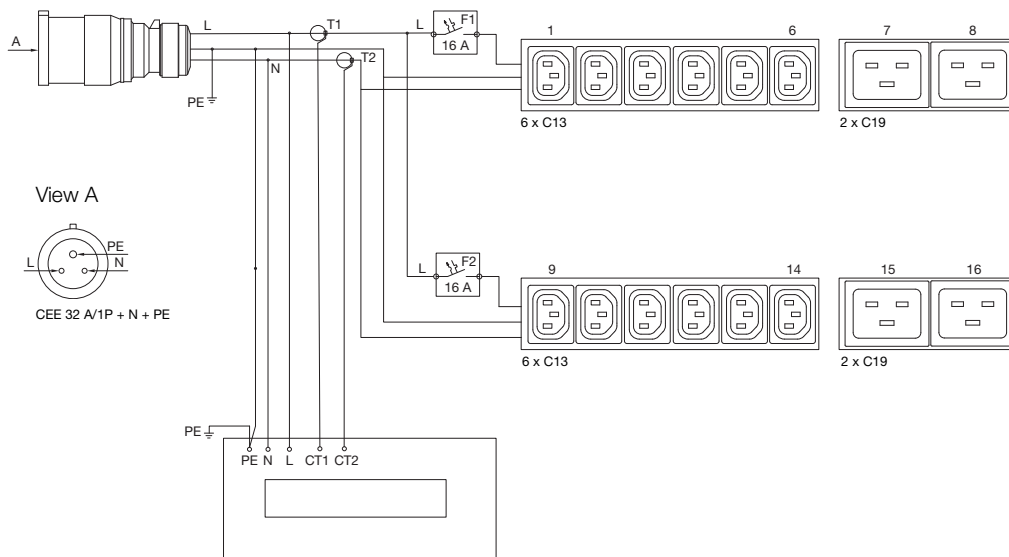
Power Distribution Unit

Metered plus, switched, managed version

DK 7979.513, DK 7979.313, DK 7979.413



Circuit diagram



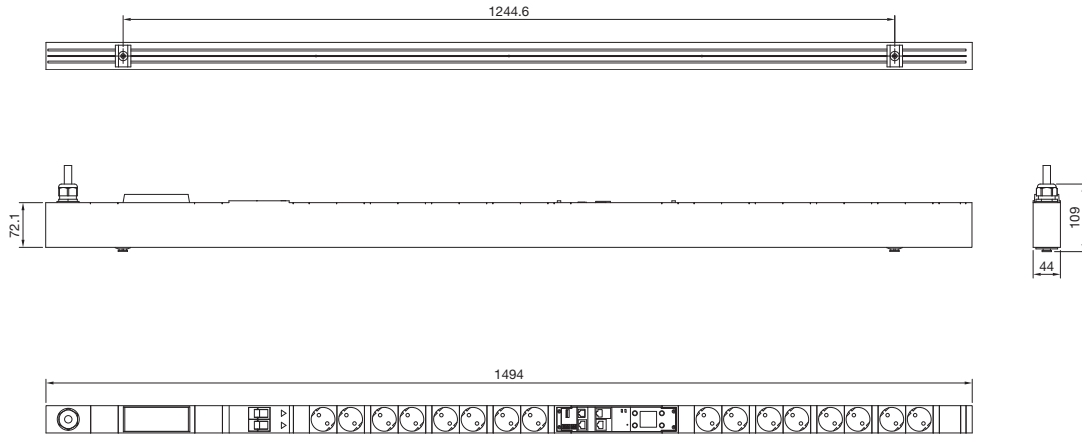
IT Infrastructure

IT power

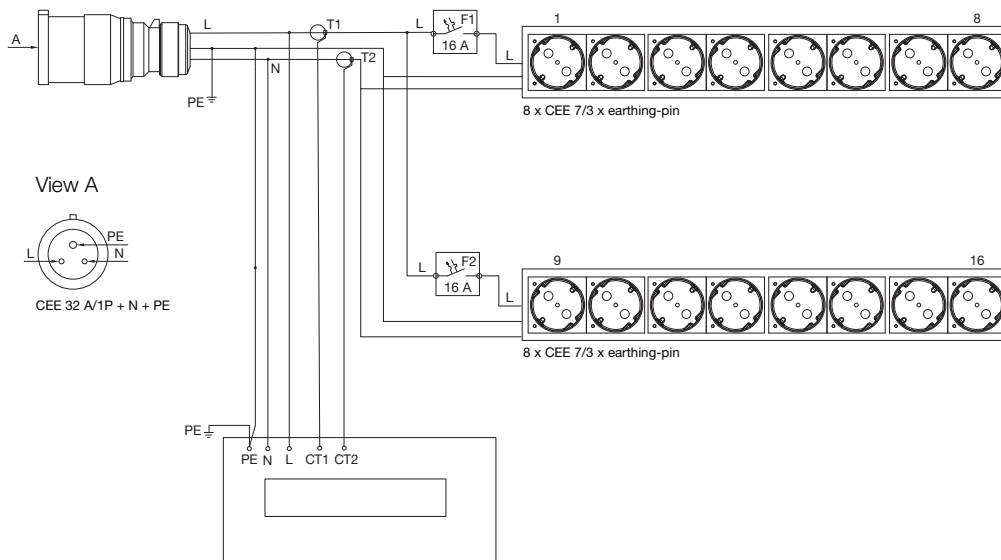
Power Distribution Unit

Metered plus, switched, managed version

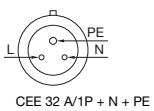
DK 7979.514, DK 7979.314, DK 7979.414



Circuit diagram



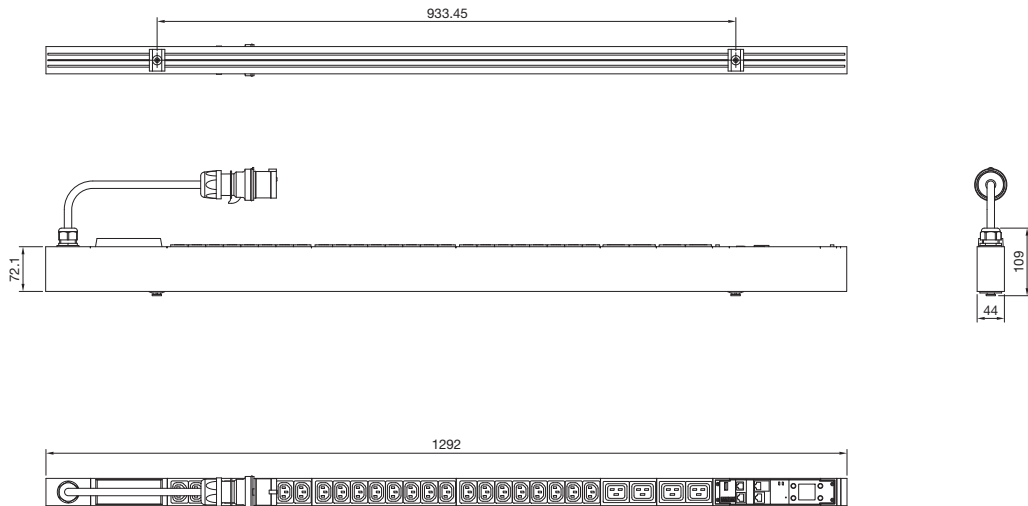
View A



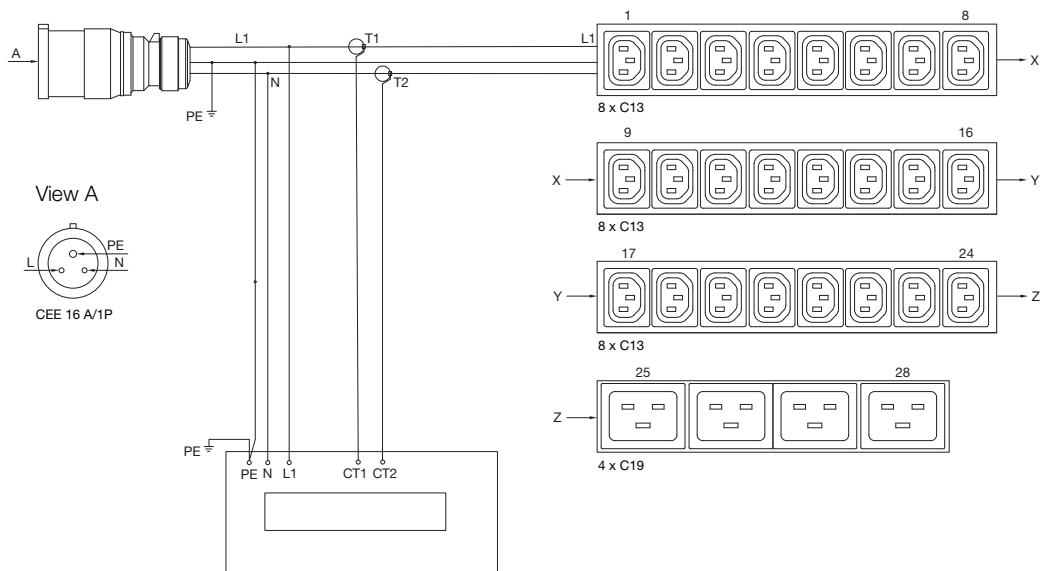
Power Distribution Unit

Metered plus, switched, managed version

DK 7979.515, DK 7979.315, DK 7979.415



Circuit diagram



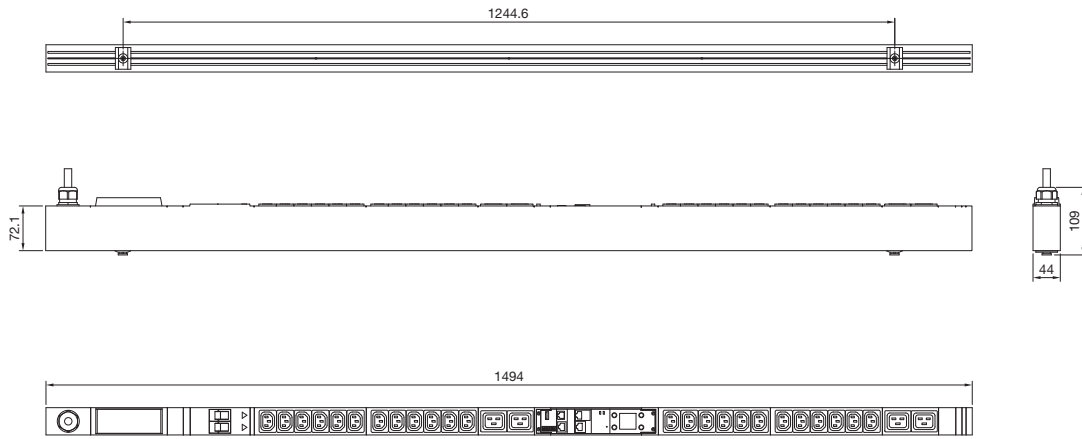
IT Infrastructure

IT power

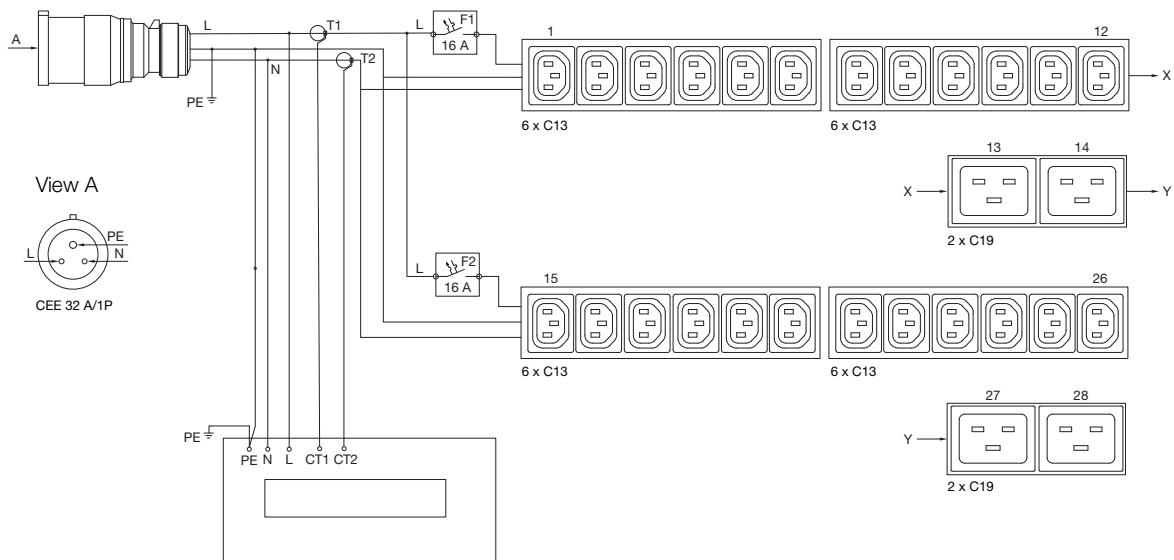
Power Distribution Unit

Metered plus, switched, managed version

DK 7979.516, DK 7979.316, DK 7979.416



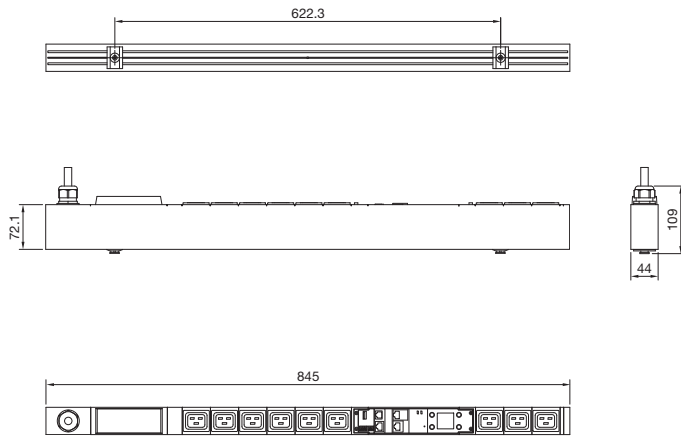
Circuit diagram



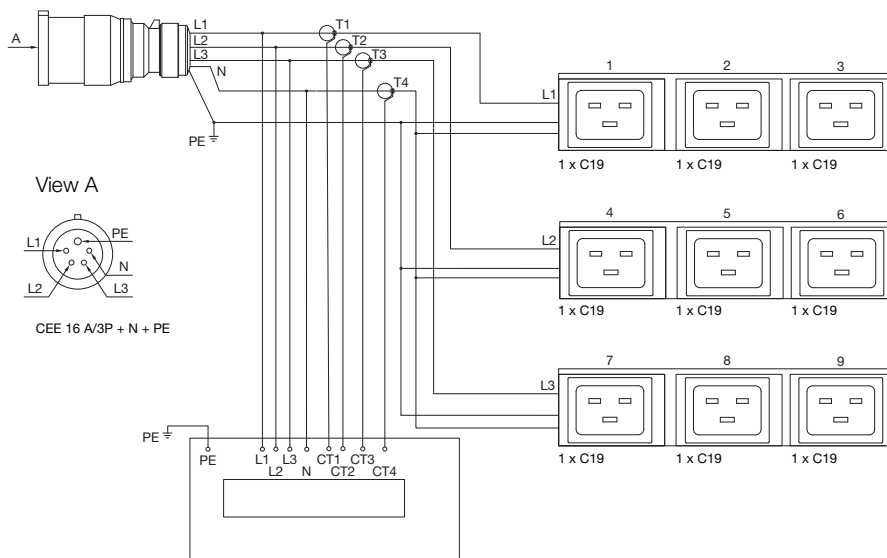
Power Distribution Unit

Metered plus, switched, managed version

DK 7979.530, DK 7979.330, DK 7979.430



Circuit diagram



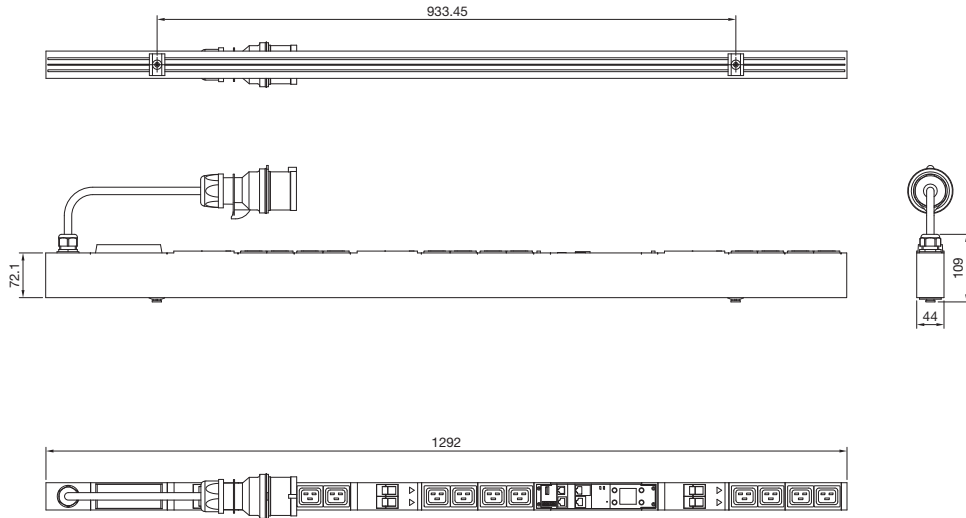
IT Infrastructure

IT power

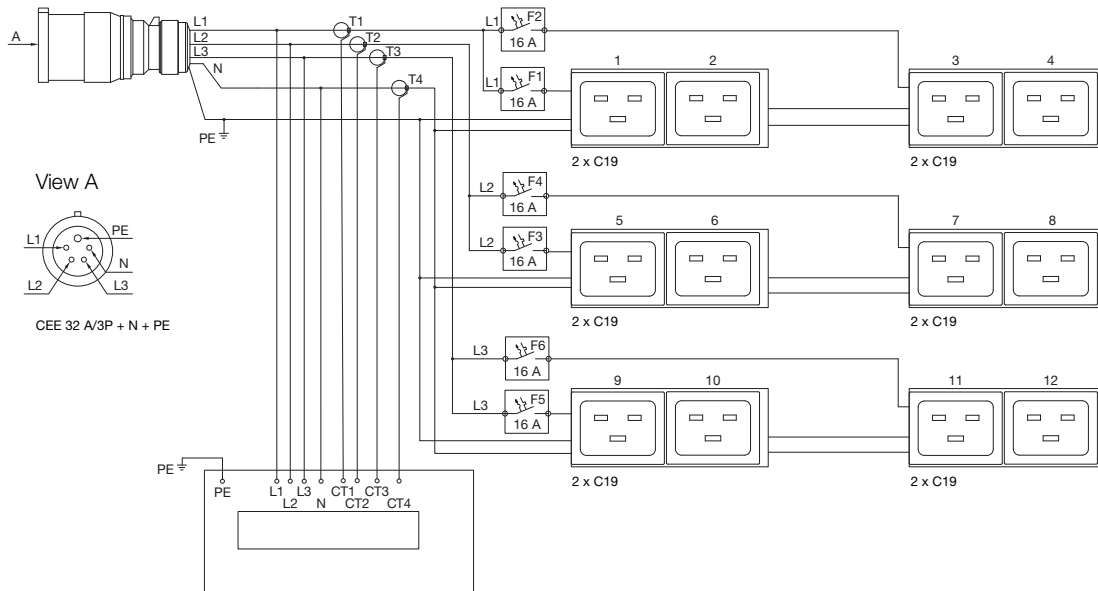
Power Distribution Unit

Metered plus, switched, managed version

DK 7979.531, DK 7979.331, DK 7979.431



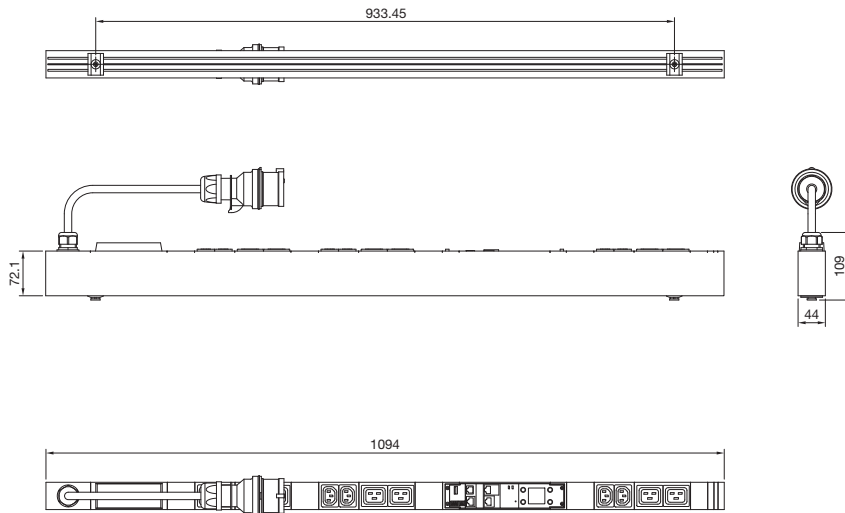
Circuit diagram



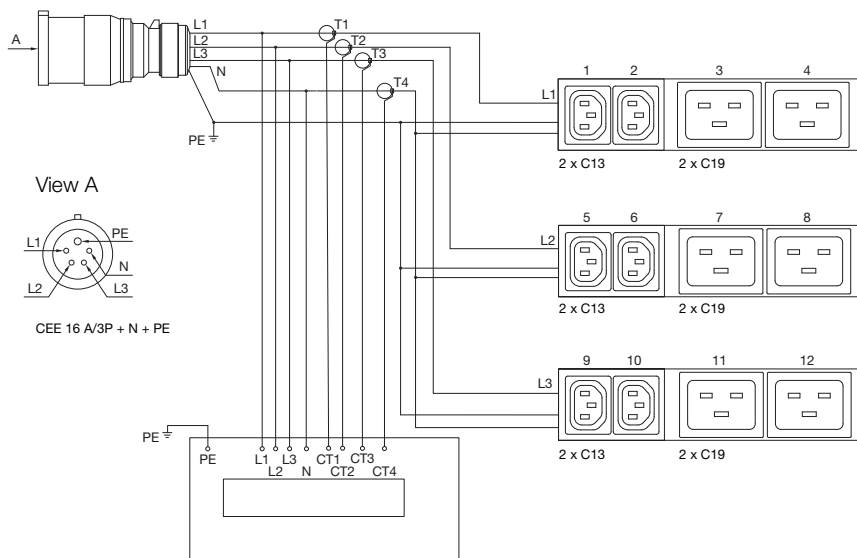
Power Distribution Unit

Metered plus, switched, managed version

DK 7979.532, DK 7979.332, DK 7979.432



Circuit diagram



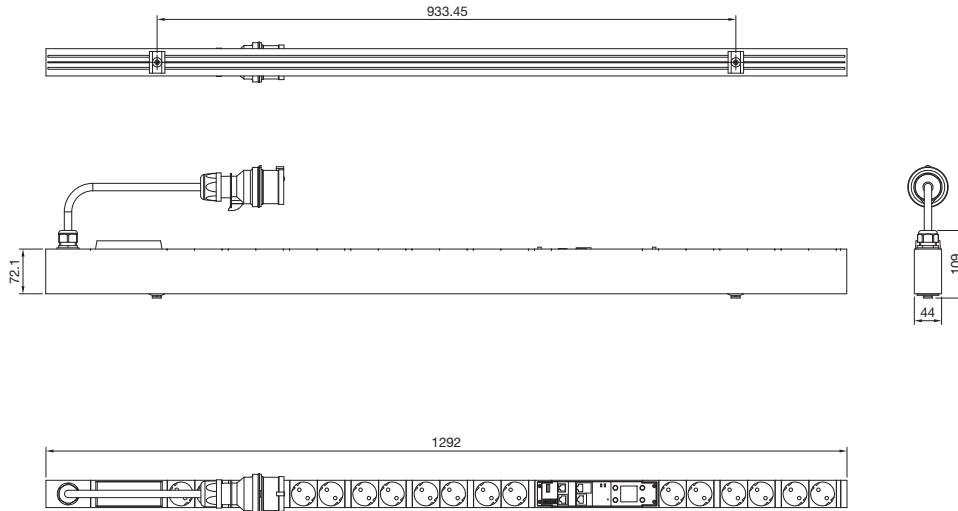
IT Infrastructure

IT power

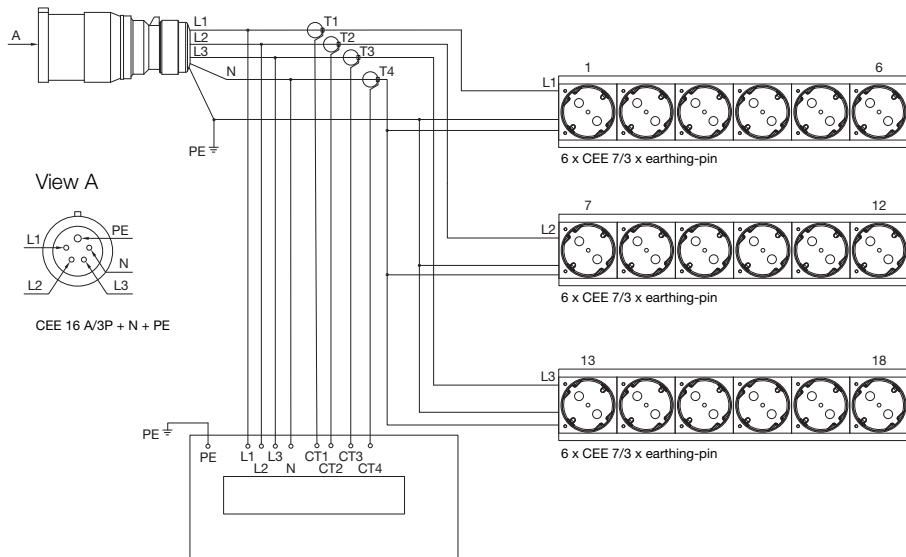
Power Distribution Unit

Metered plus, switched, managed version

DK 7979.533, DK 7979.333, DK 7979.433



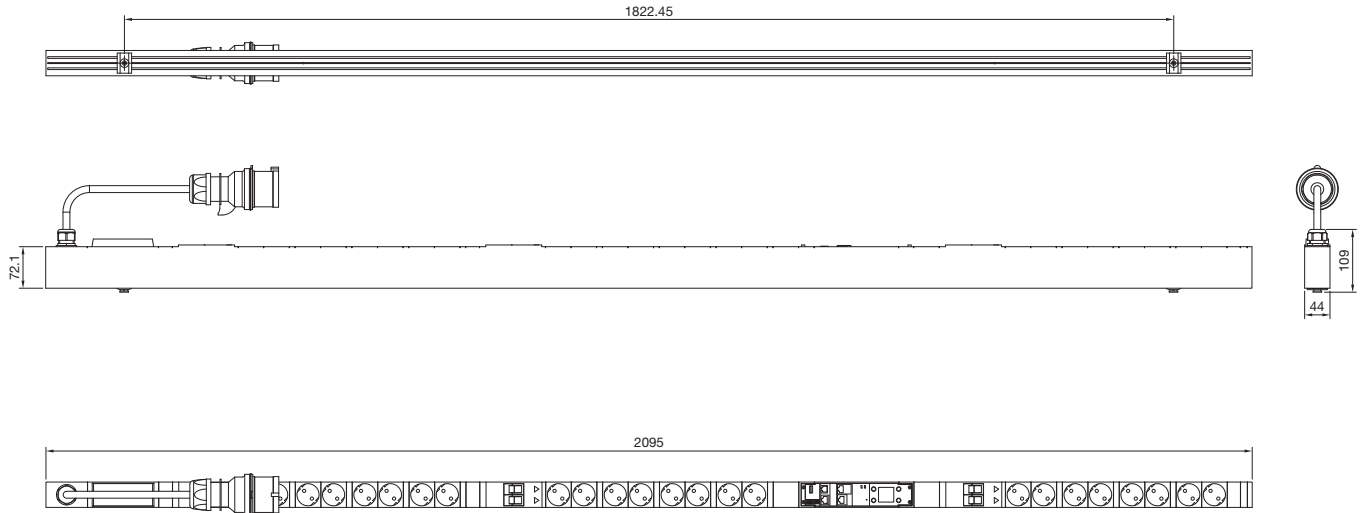
Circuit diagram



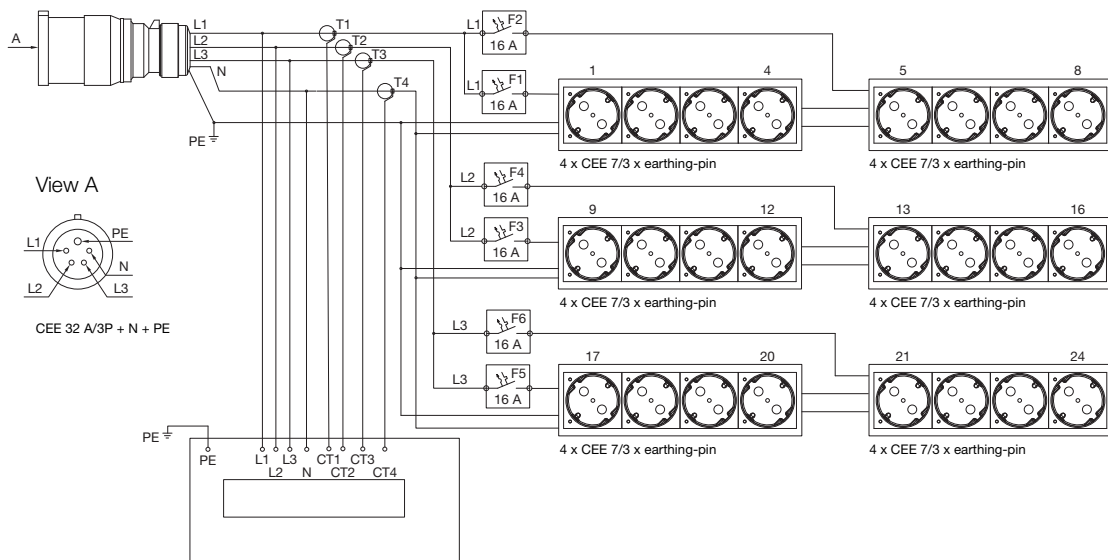
Power Distribution Unit

Metered plus, switched, managed version

DK 7979.534, DK 7979.334, DK 7979.434



Circuit diagram



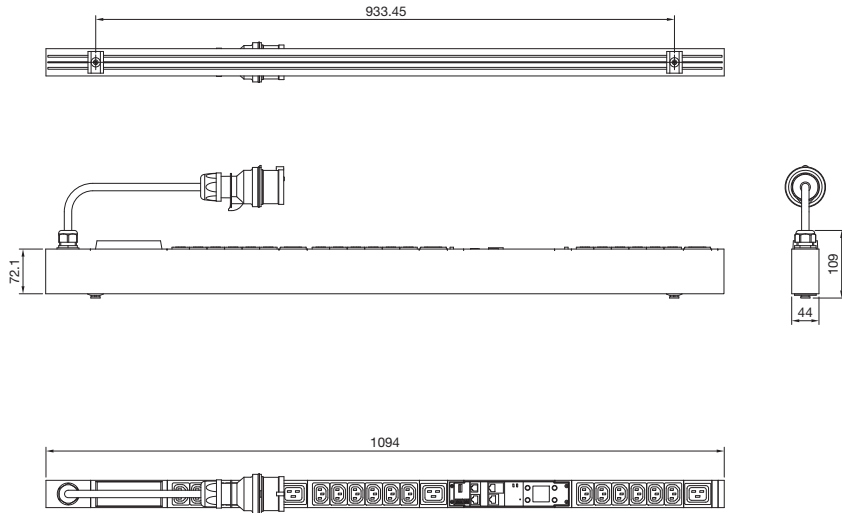
IT Infrastructure

IT power

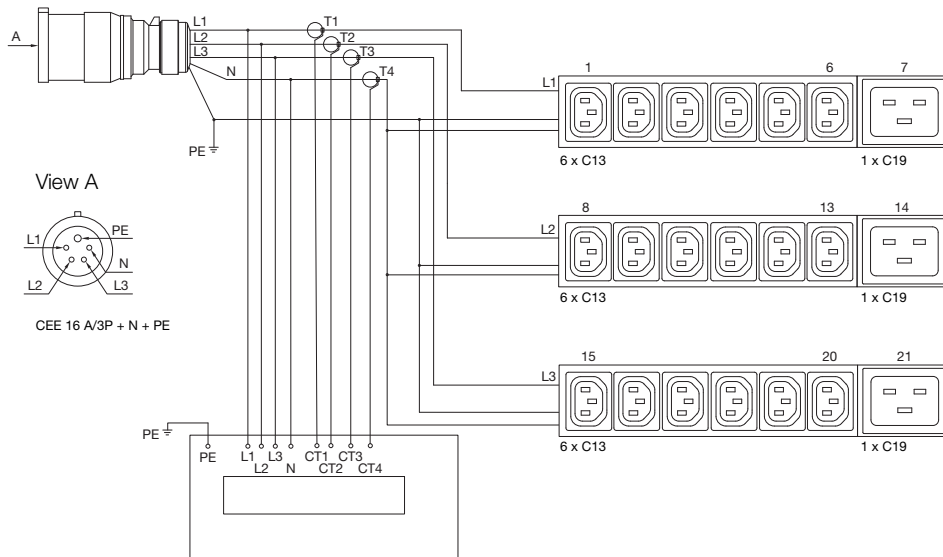
Power Distribution Unit

Metered plus, switched, managed version

DK 7979.535, DK 7979.335, DK 7979.435



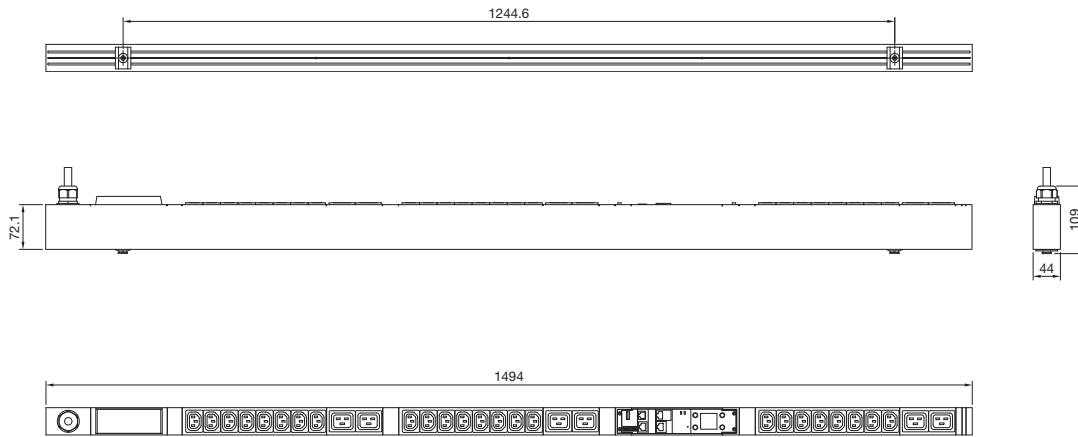
Circuit diagram



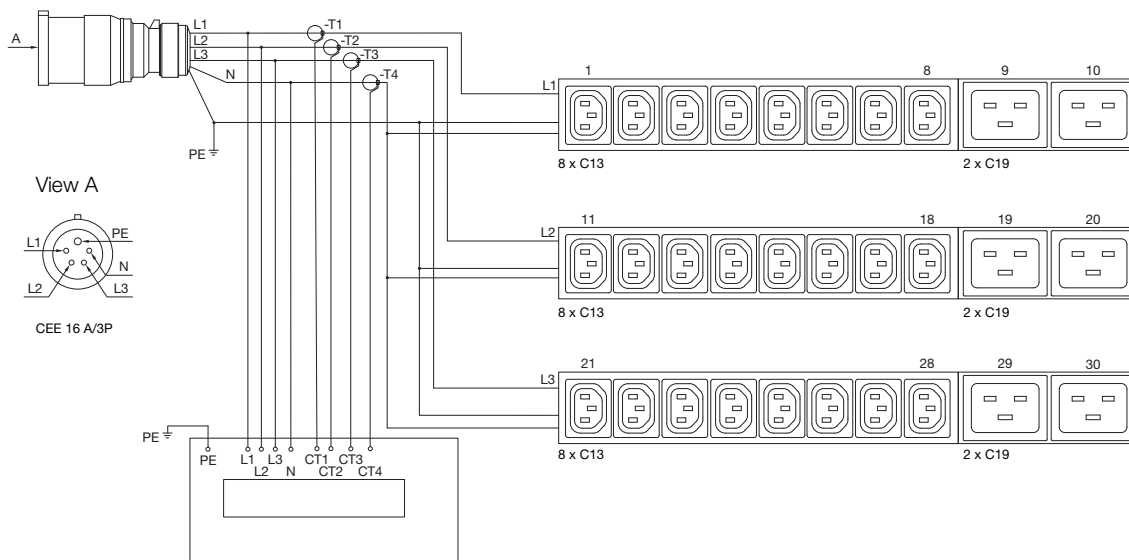
Power Distribution Unit

Metered plus, switched, managed version

DK 7979.536, DK 7979.336, DK 7979.436



Circuit diagram



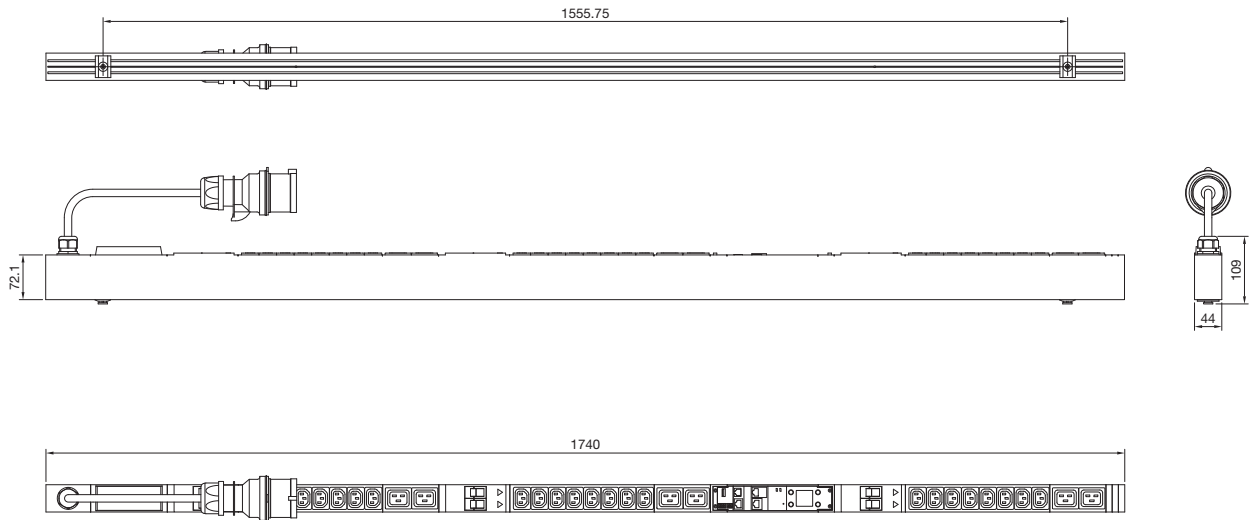
IT Infrastructure

IT power

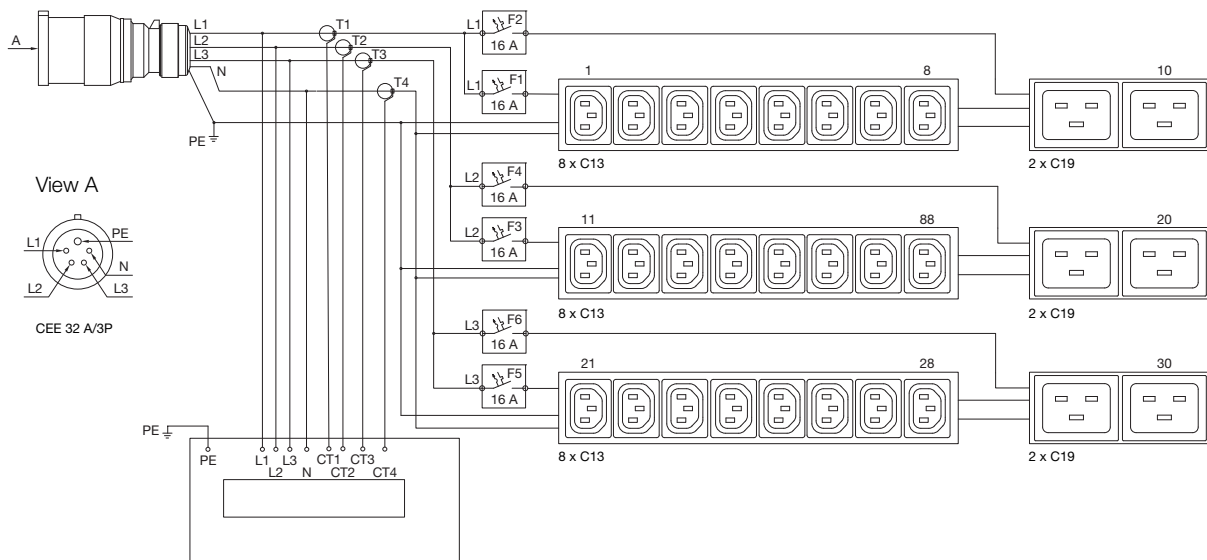
Power Distribution Unit

Metered plus, switched, managed version

DK 7979.537, DK 7979.337, DK 7979.437



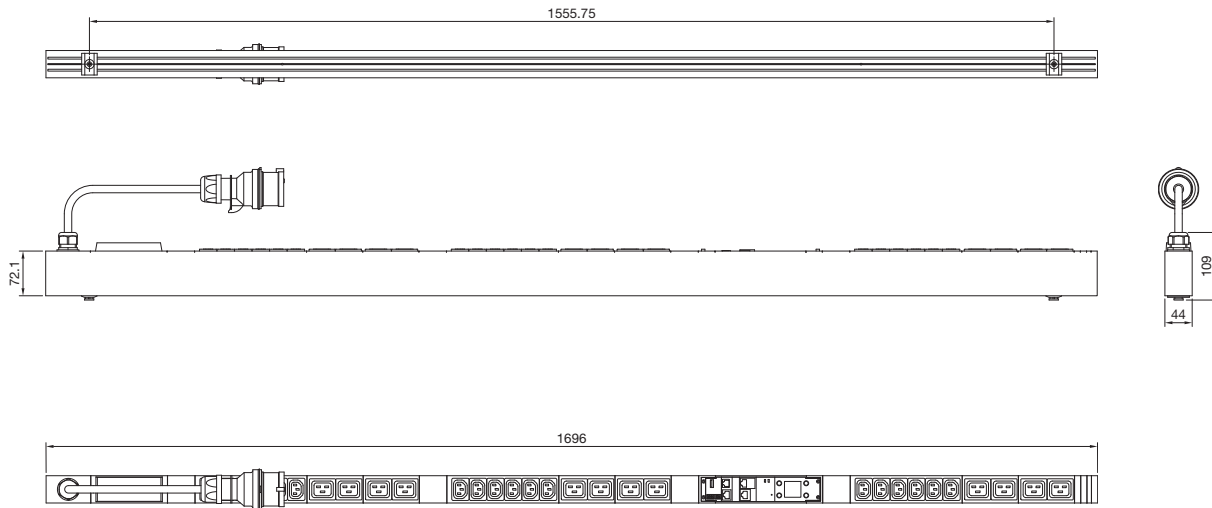
Circuit diagram



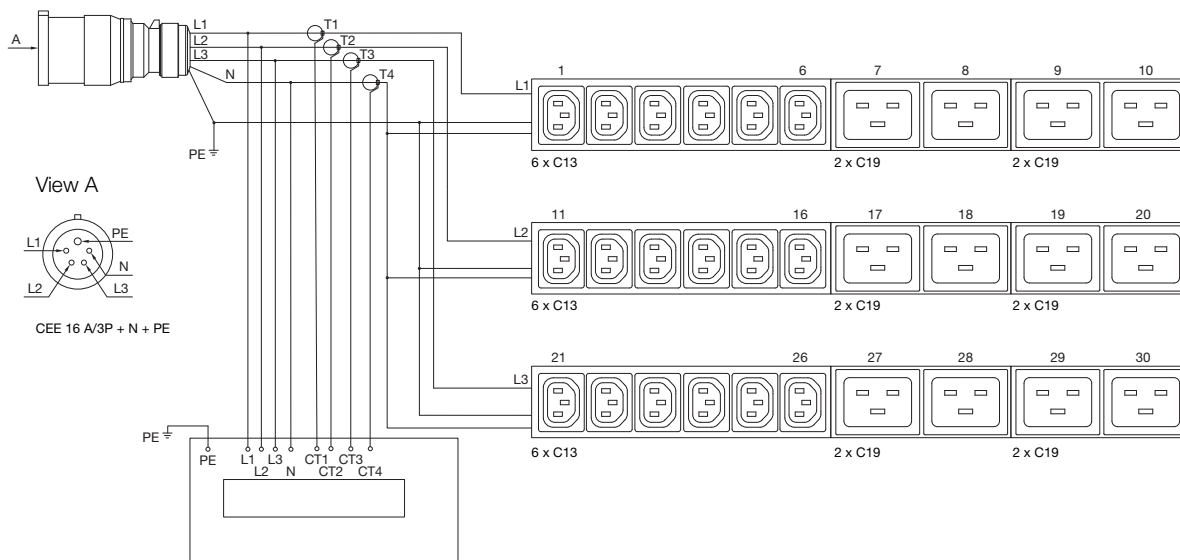
Power Distribution Unit

Metered plus, switched, managed version

DK 7979.538, DK 7979.338, DK 7979.438



Circuit diagram



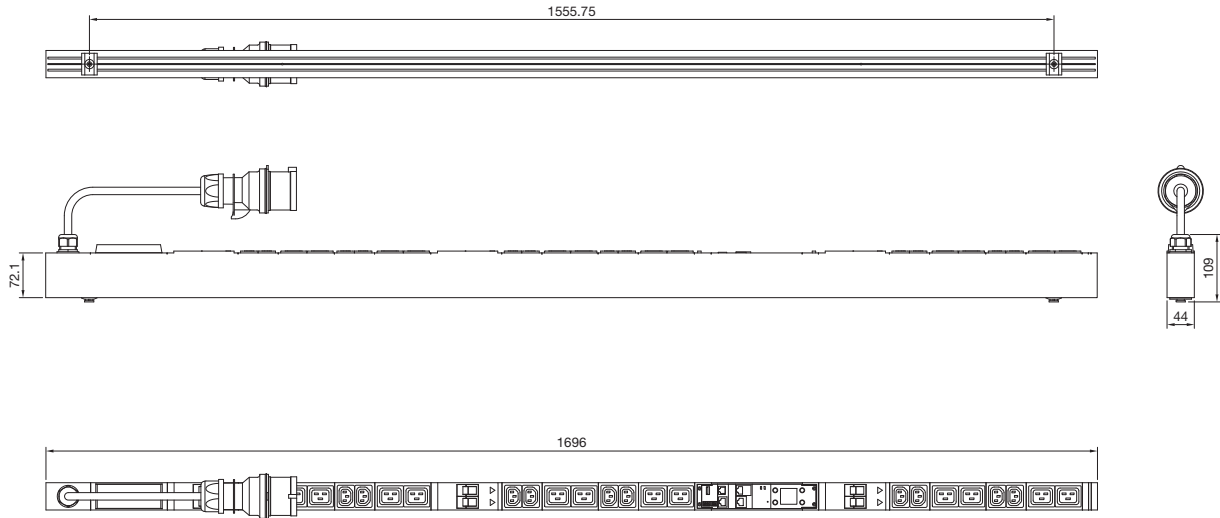
IT Infrastructure

IT power

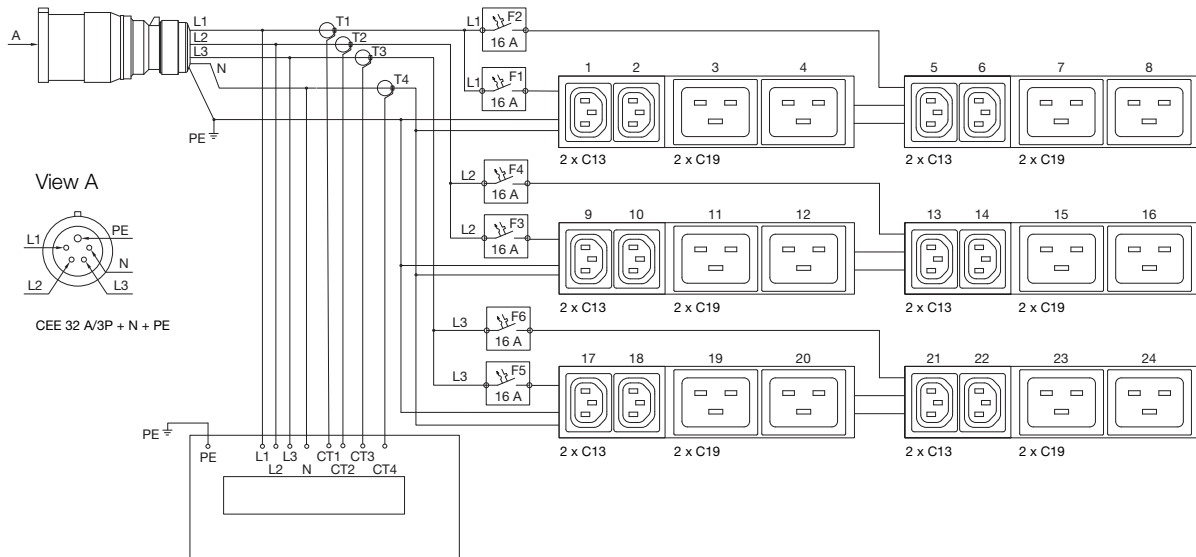
Power Distribution Unit

Metered plus, switched, managed version

DK 7979.539, DK 7979.339, DK 7979.439



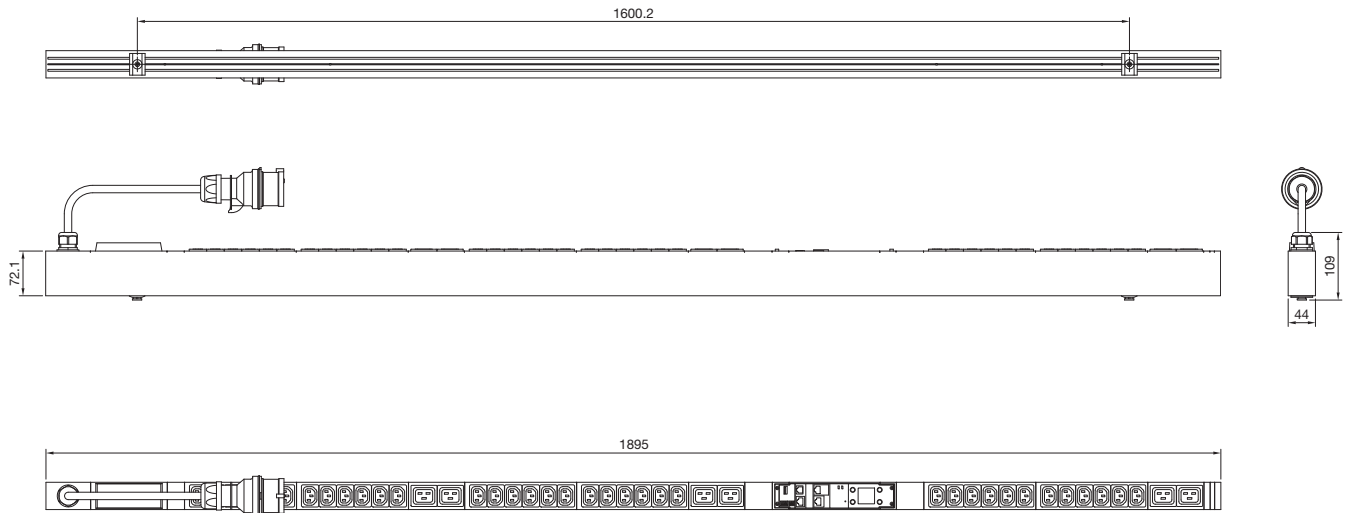
Circuit diagram



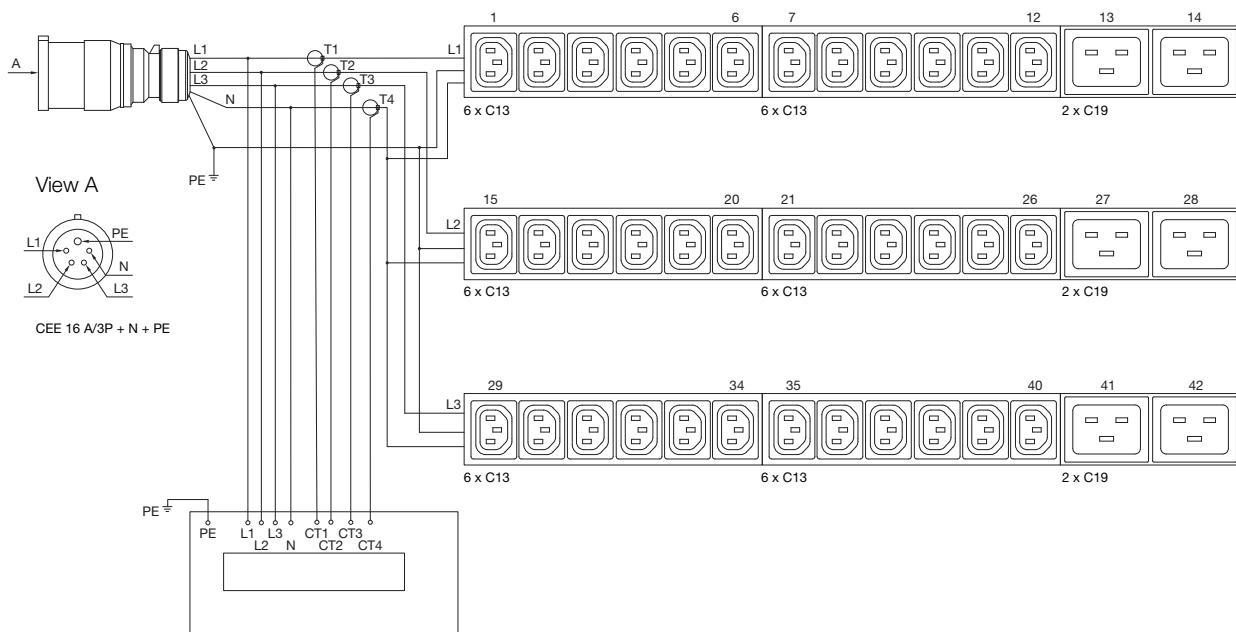
Power Distribution Unit

Metered plus, switched, managed version

DK 7979.540, DK 7979.340, DK 7979.440



Circuit diagram



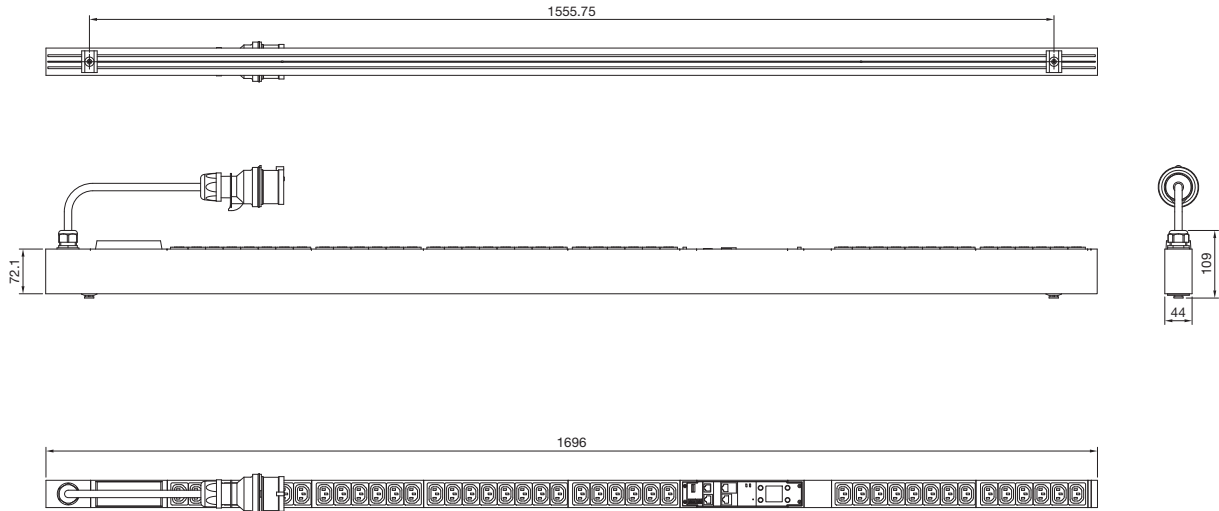
IT Infrastructure

IT power

Power Distribution Unit

Metered plus, switched, managed version

DK 7979.542, DK 7979.342, DK 7979.442



Circuit diagram

