

IT power

Power Distribution Unit

Metered version

Energy measurement per phase, i.e. output requirement of an entire IT rack

Benefits:

- With the compact PDU, any IT rack is easily equipped with a professional power distribution system
- With the VX IT rack, assembly is tool-free
- Compact design
- Easy to install, even in the zero-U space
- Power-saving design with minimal inherent consumption by the PDU itself, thanks to the use of bistable relays and durable TFT colour display with power-saving function
- Integral Web server for direct network connection with extensive user administration functions
- Redundant power supplied from all 3 phases
- Extensive range of management and monitoring functions
- High-MTBF and measurement accuracy of $\pm 1\%$
- Redundant network interface, may also be used for cascading up to 16 PDUs (not with PDU basic)
- Electric handle systems and ambient monitoring with up to 16 CMC III sensors (temperature, humidity, access, vandalism)
- 2 x Gigabit Ethernet interfaces for fully redundant network connection
- PDU controller may be replaced without having to disconnect the PDU from the power supply



Material:

- Extruded aluminium section, anodised

Protection category IP to IEC 60 529:

- IP 20

Supply includes:

- Connector lock for IEC C14 and C20 connectors
- Assembly parts

Standards:

- EN 62 368-1
- EN 61 000-4
- EN 61 000-6
- EN 55 022

Assembly instructions:

- For mounting on VX IT punched sections with mounting flanges or foreign racks, mounting adaptor 7000.688 is additionally required

Low Voltage Directive:

- 2014/35/EU

EMC directive:

- 2014/30/EU

PDU metered

Model No. DK	Power			Slots/slot type				Function		Dimensions	PDU installed in rack/ min. enclosure height mm		Page
	No. of phases	Phase current A	Output kW	Input	Outputs IEC C13	Outputs IEC C19	Outputs Earthing-pin	Measuring	Switching	PDU length mm	VX IT rack frame	VX IT (zero U) 482.6 mm (19") mounting angles	
7979.202	1~	16	3.7	IEC C20	6	-	-	per phase	-	450 (19"/1 U)	800	800	2
7979.203	1~	16	3.7	CEE	-	-	4	per phase	-	450 (19"/1 U)	800	800	2
7979.204	1~	32	7.4	CEE	4	2	-	per phase	-	450 (19"/1 U)	800	800	3
7979.210	1~	16	3.7	CEE	12	1	-	per phase	-	845	1200	1200	3
7979.211	1~	16	3.7	CEE	-	-	10	per phase	-	1095	1200	1800	4
7979.212	1~	32	7.4	CEE	16	2	-	per phase	-	1095	1200	1800	5
7979.213	1~	32	7.4	CEE	12	4	-	per phase	-	1095	1200	1800	6
7979.214	1~	32	7.4	CEE	-	-	16	per phase	-	1295	1800	1800	7
7979.215	1~	16	3.7	CEE	24	4	-	per phase	-	1295	1800	1800	8
7979.216	1~	32	7.4	CEE	24	4	-	per phase	-	1495	1800	1800	9
7979.217	1~	16	3.7	IEC C20	12	1	-	per phase	-	845	1200	1200	
7979.218	1~	16	3.7	IEC C20	18	2	-	per phase	-	1095	1200	1800	
7979.230	3~	16	11	CEE	-	9	-	per phase	-	845	1200	1200	10
7979.231	3~	32	22	CEE	-	12	-	per phase	-	1495	1800	1800	11
7979.232	3~	16	11	CEE	6	6	-	per phase	-	1095	1200	1800	12
7979.233	3~	16	11	CEE	-	-	18	per phase	-	1495	1800	1800	13
7979.234	3~	32	22	CEE	-	-	24	per phase	-	1895	2000	2200	14
7979.235	3~	16	11	CEE	18	3	-	per phase	-	1095	1200	1800	15
7979.236	3~	16	11	CEE	24	6	-	per phase	-	1495	1800	1800	16
7979.237	3~	32	22	CEE	24	6	-	per phase	-	1740	2000	2000	17
7979.238	3~	16	11	CEE	18	12	-	per phase	-	1695	1800	2000	18
7979.239	3~	32	22	CEE	12	12	-	per phase	-	1695	1800	2000	19
7979.240	3~	16	11	CEE	36	6	-	per phase	-	1895	2000	2200	20
7979.242	3~	16	11	CEE	42	-	-	per phase	-	1695	1800	2000	21
7979.256	1~	32	7.4	CEE	24	6	-	per phase	-	1695	1800	2000	22
7979.276	3~	16	11	CEE	24	6	-	per phase	-	1695	1800	2000	23

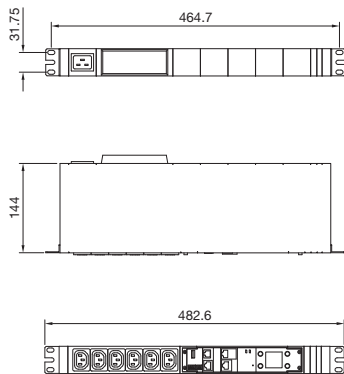
Power Distribution Unit

Metered version

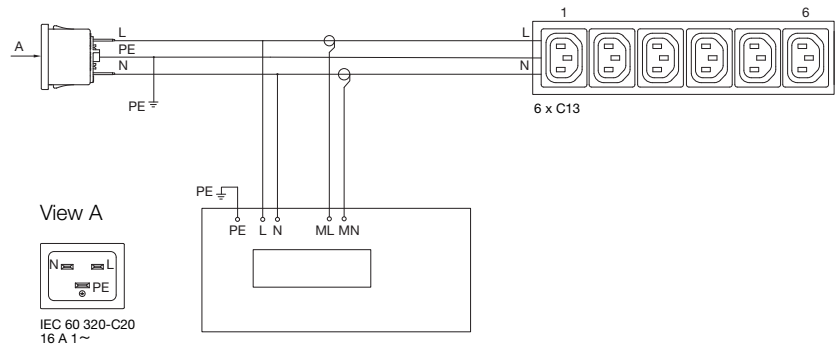
PDU UK metered

Model No. DK	Power			Slots/slot type			Function		Dimensions	PDU installed in rack/ min. enclosure height mm		Page
	No. of phases	Phase current A	Output kW	Input	Outputs BS1363	Outputs IEC C19	Measuring	Switching		PDU length mm	VX IT rack frame	
7979.821	1~	13	3.0	BS1363	16	–	per phase	–	1495	1800	1800	24
7979.822	1~	16	3.7	CEE	16	4	per phase	–	1695	1800	2000	24
7979.823	1~	32	7.4	CEE	16	4	per phase	–	1695	1800	2000	24

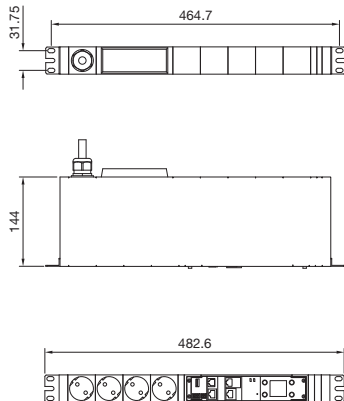
DK 7979.202



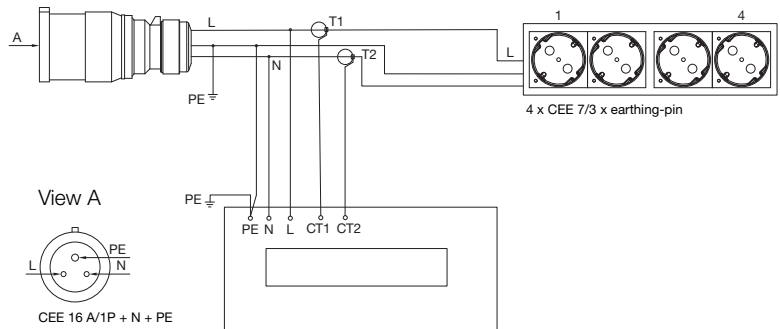
Circuit diagram



DK 7979.203



Circuit diagram

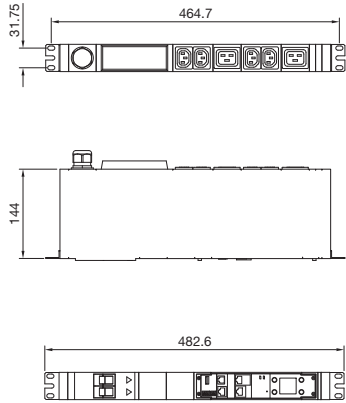


IT power

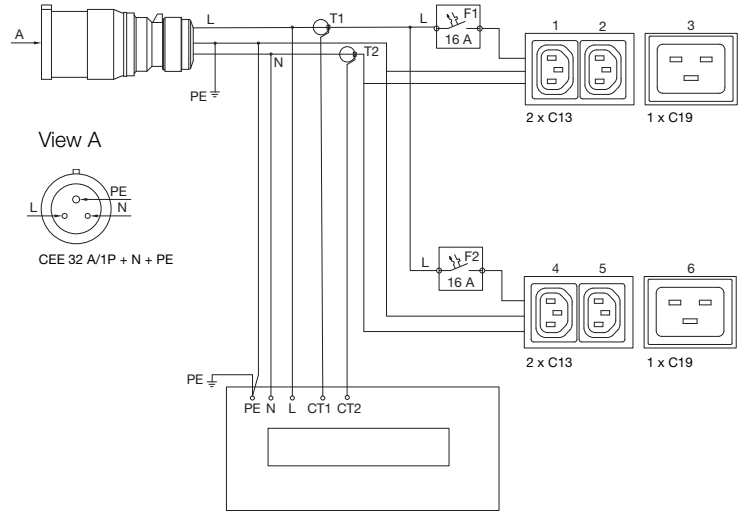
Power Distribution Unit

Metered version

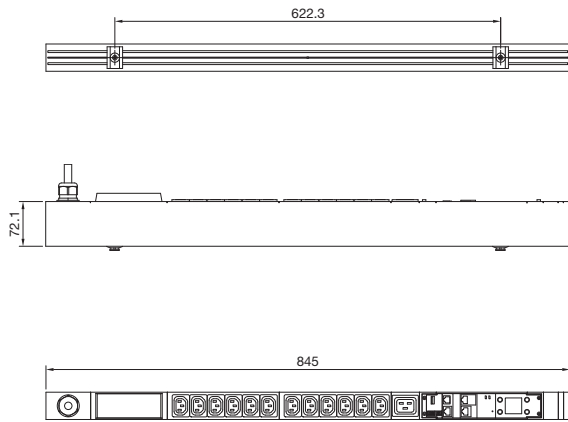
DK 7979.204



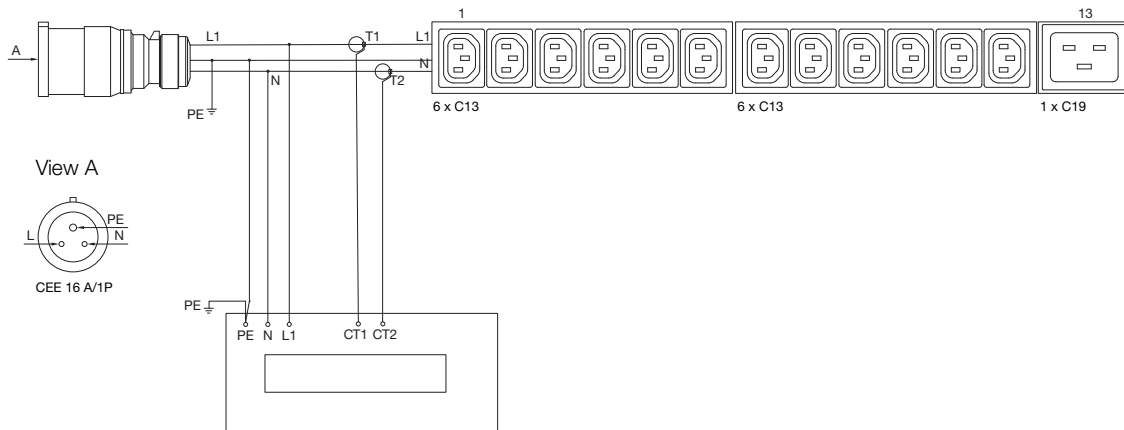
Circuit diagram



DK 7979.210



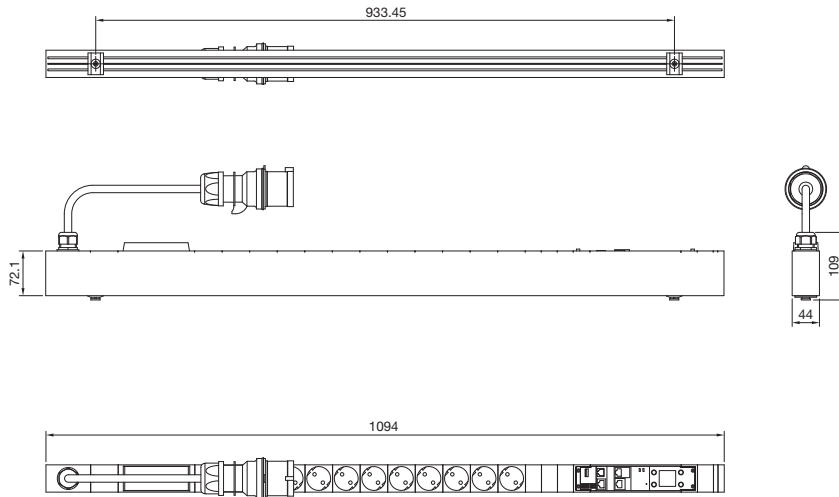
Circuit diagram



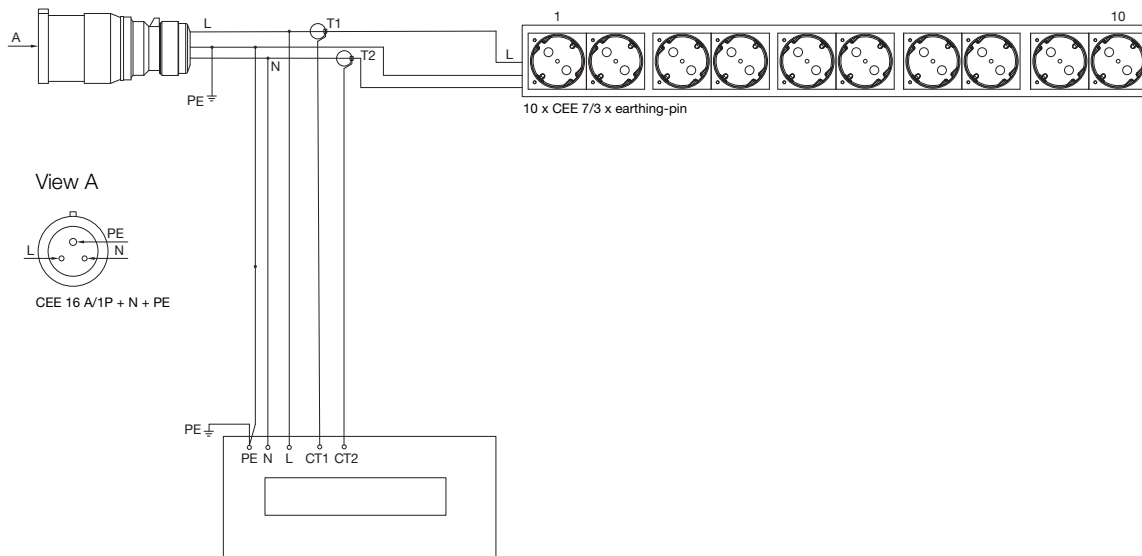
Power Distribution Unit

Metered version

DK 7979.211



Circuit diagram



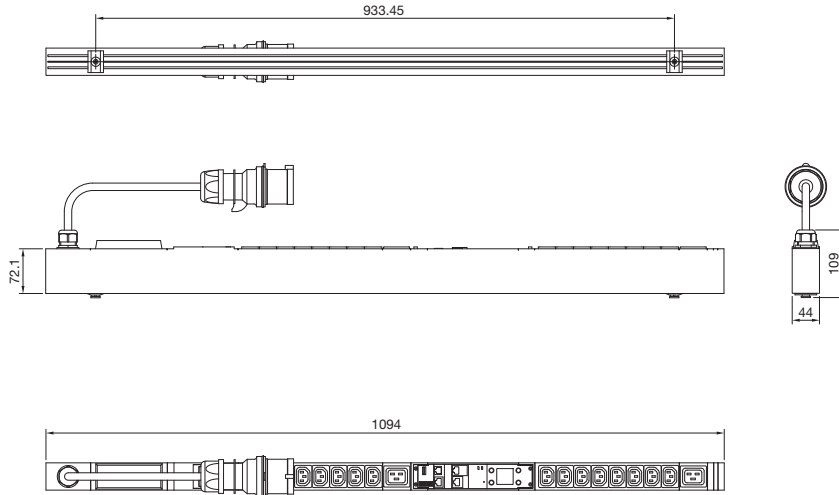
IT Infrastructure

IT power

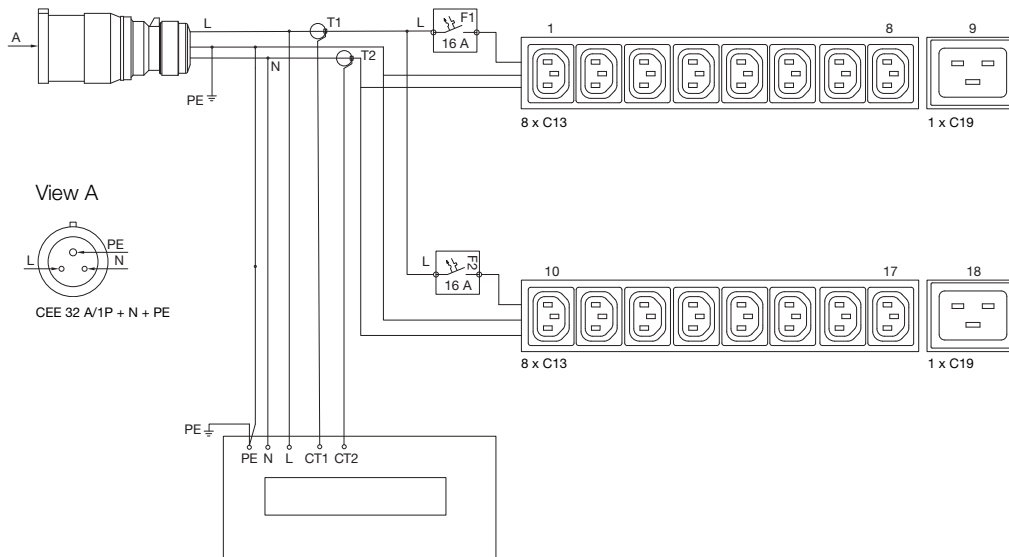
Power Distribution Unit

Metered version

DK 7979.212



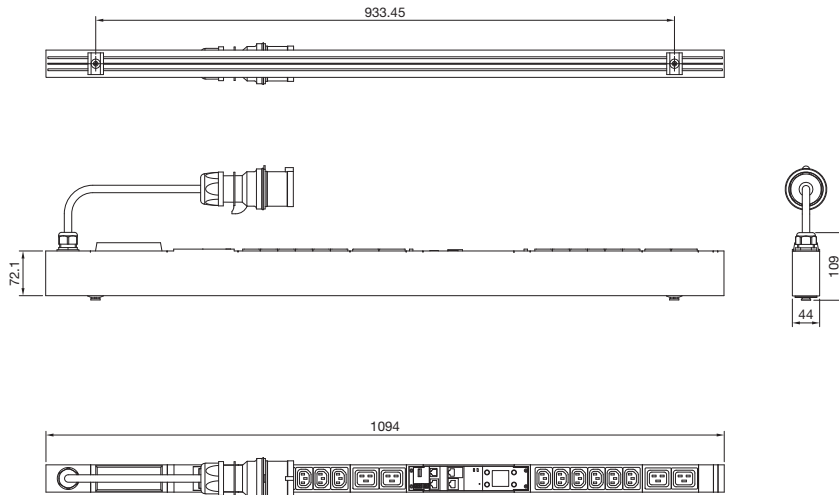
Circuit diagram



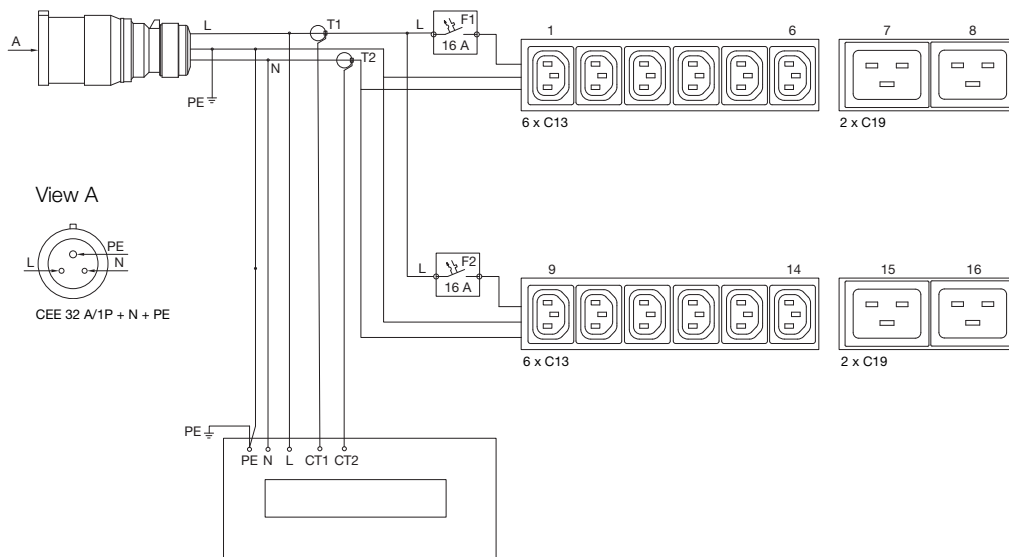
Power Distribution Unit

Metered version

DK 7979.213



Circuit diagram



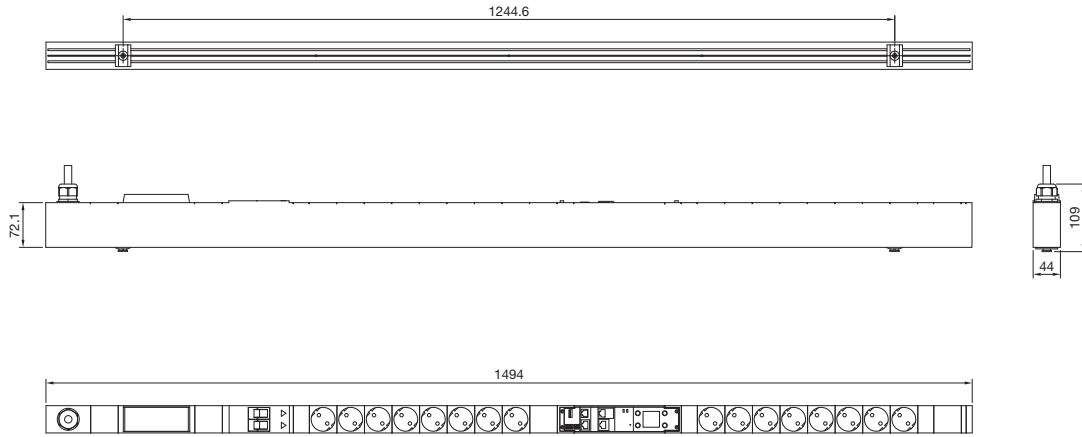
IT Infrastructure

IT power

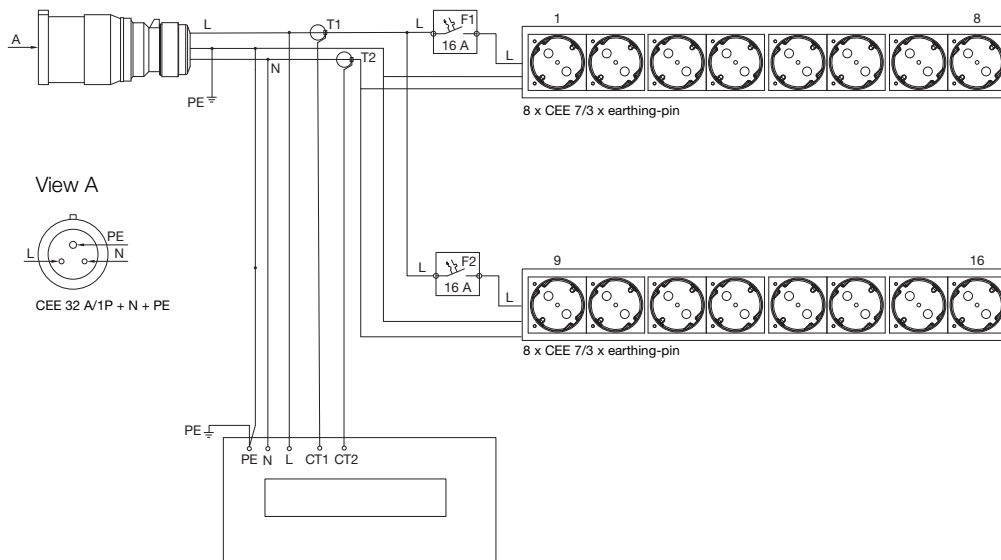
Power Distribution Unit

Metered version

DK 7979.214



Circuit diagram



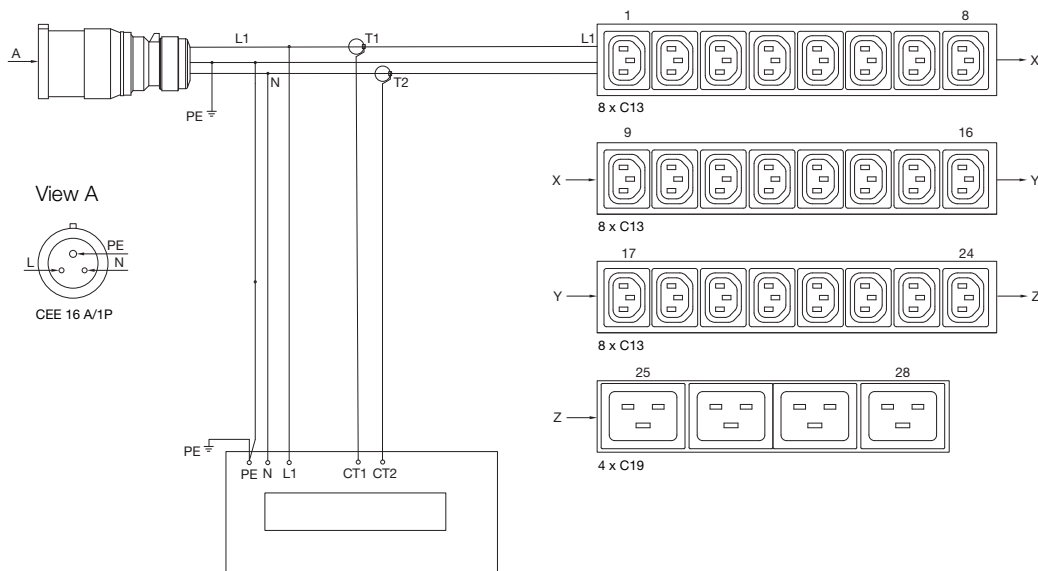
Power Distribution Unit

Metered version

DK 7979.215



Circuit diagram

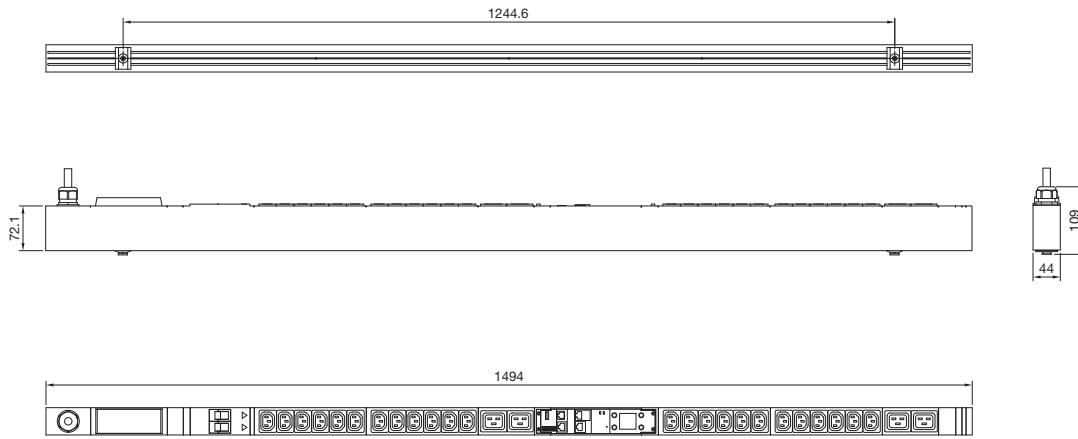


IT power

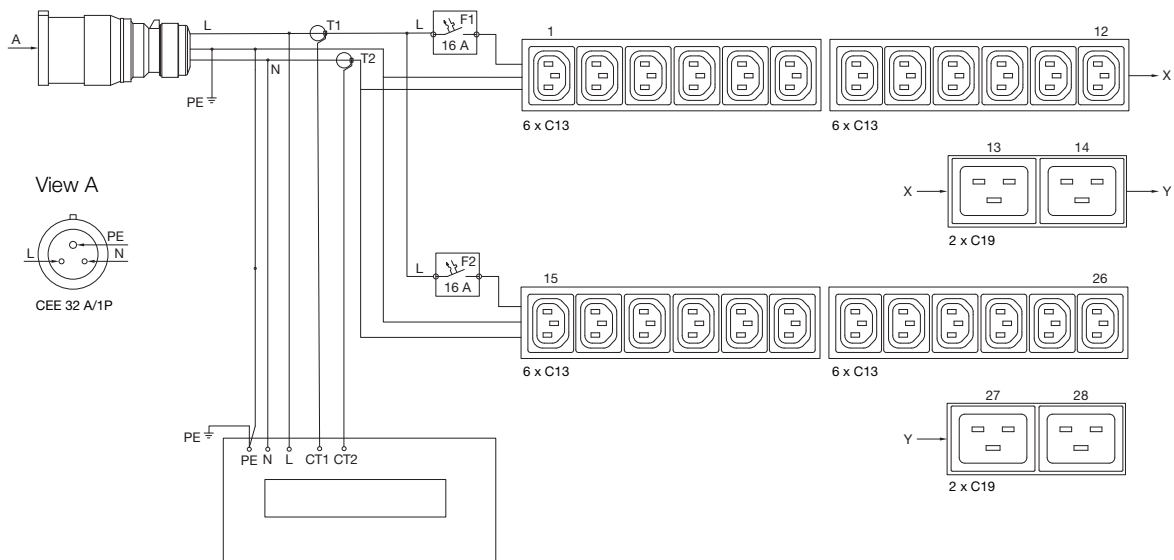
Power Distribution Unit

Metered version

DK 7979.216



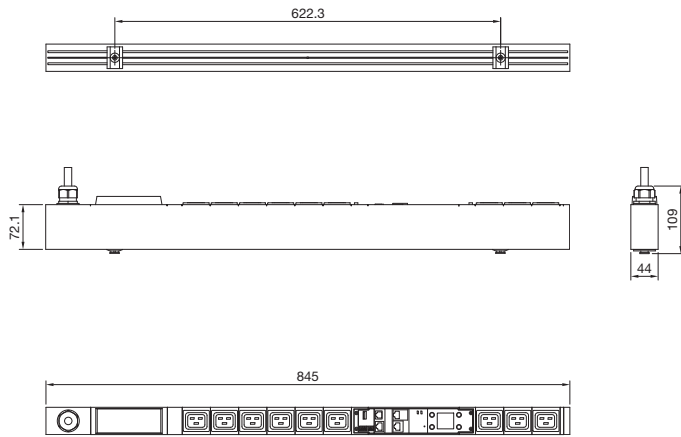
Circuit diagram



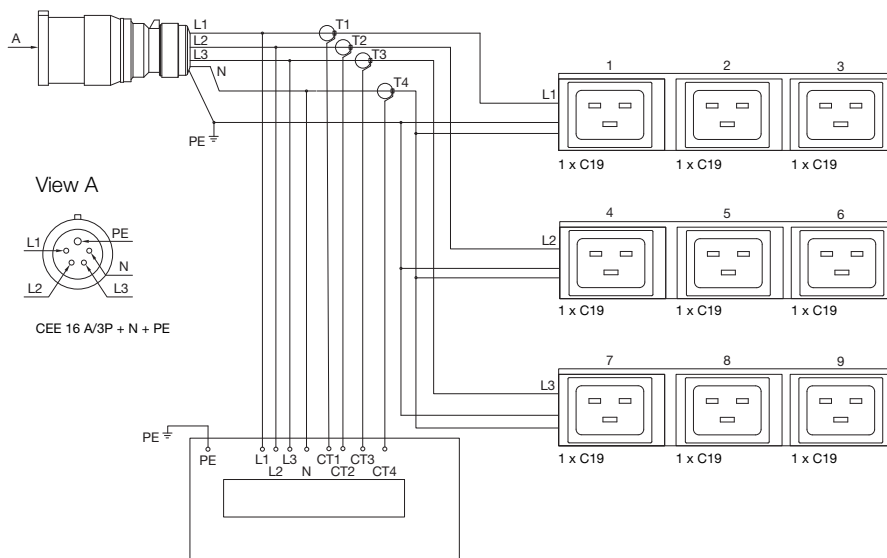
Power Distribution Unit

Metered version

DK 7979.230



Circuit diagram



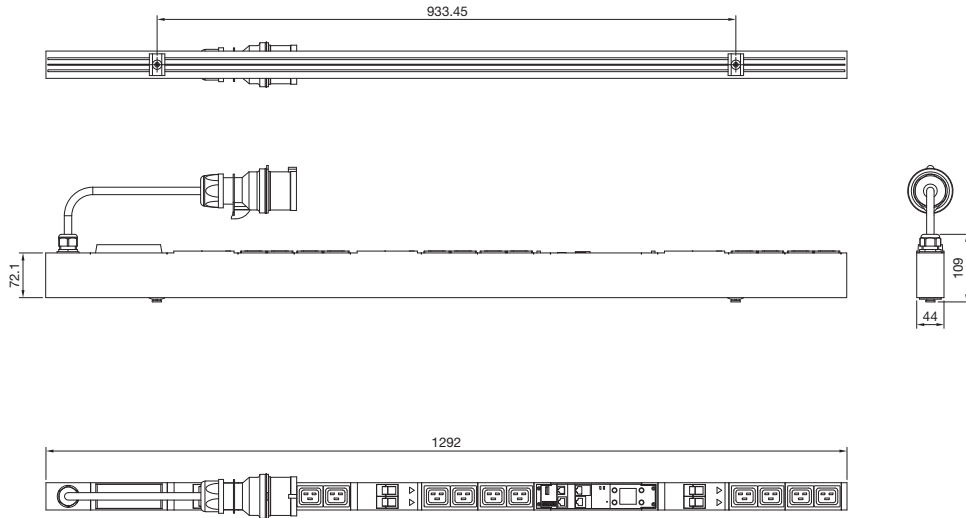
IT Infrastructure

IT power

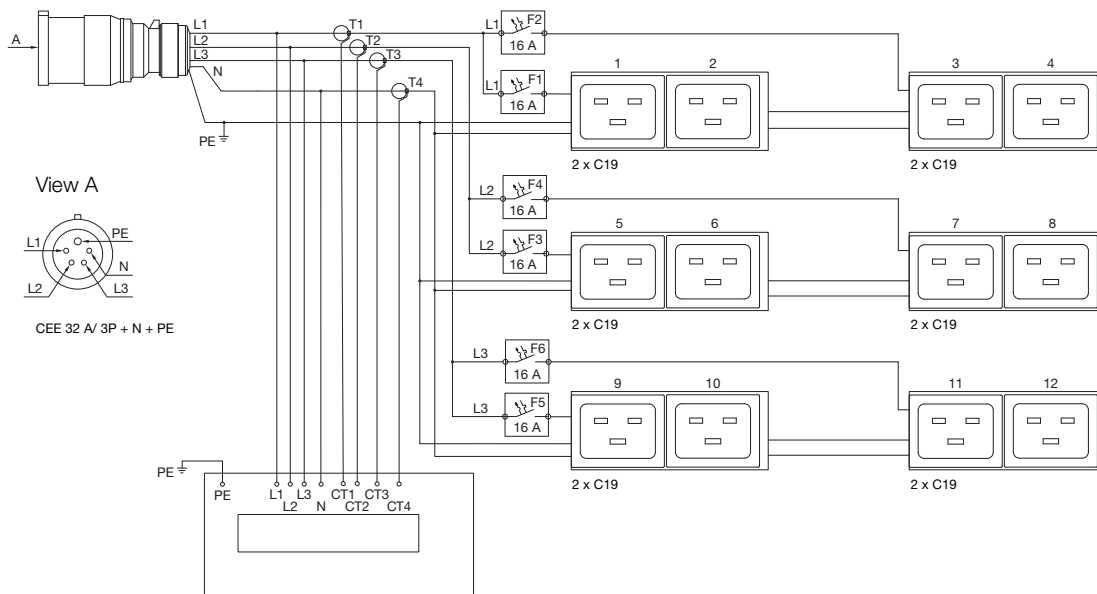
Power Distribution Unit

Metered version

DK 7979.231



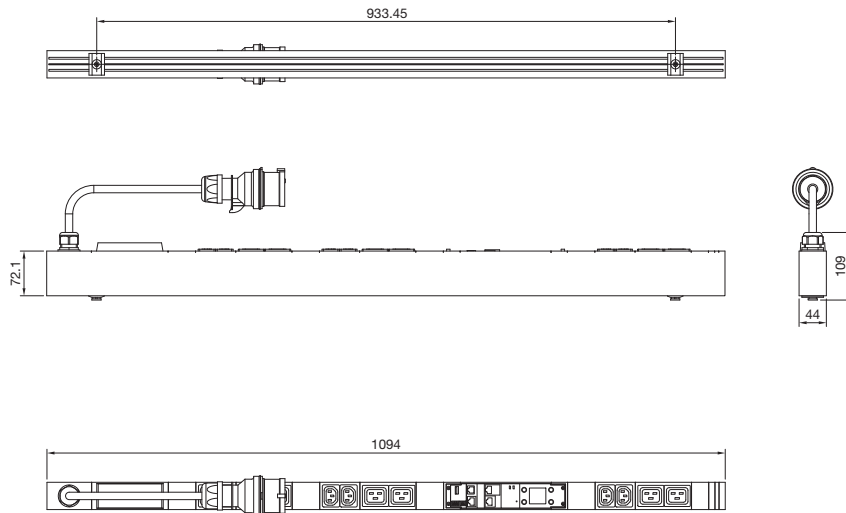
Circuit diagram



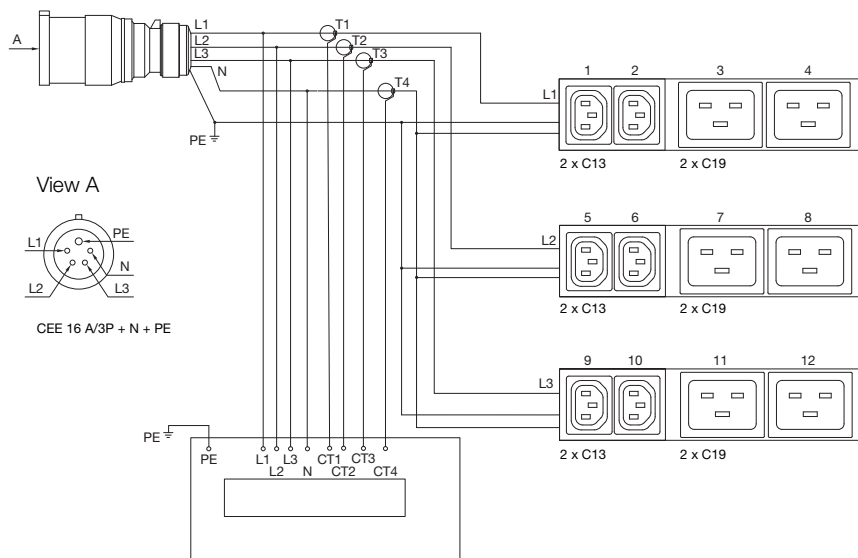
Power Distribution Unit

Metered version

DK 7979.232



Circuit diagram



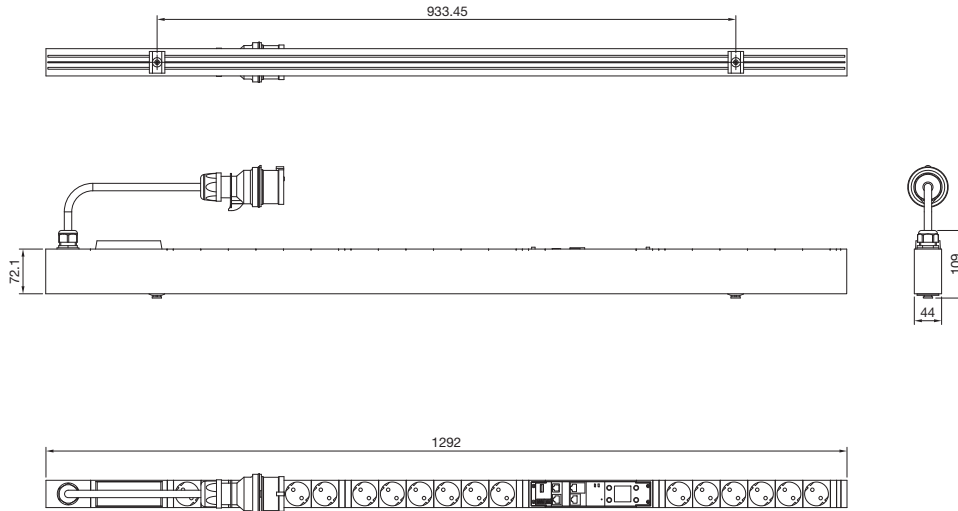
IT Infrastructure

IT power

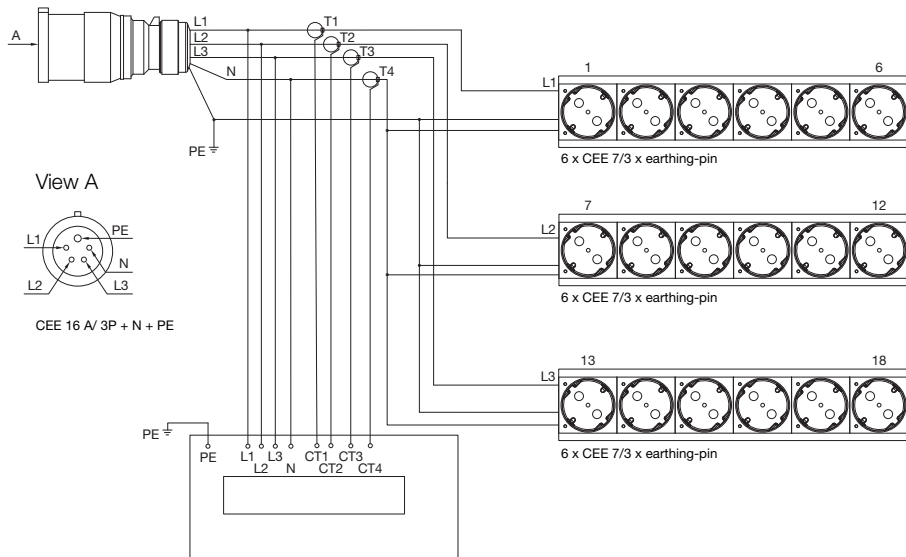
Power Distribution Unit

Metered version

DK 7979.233



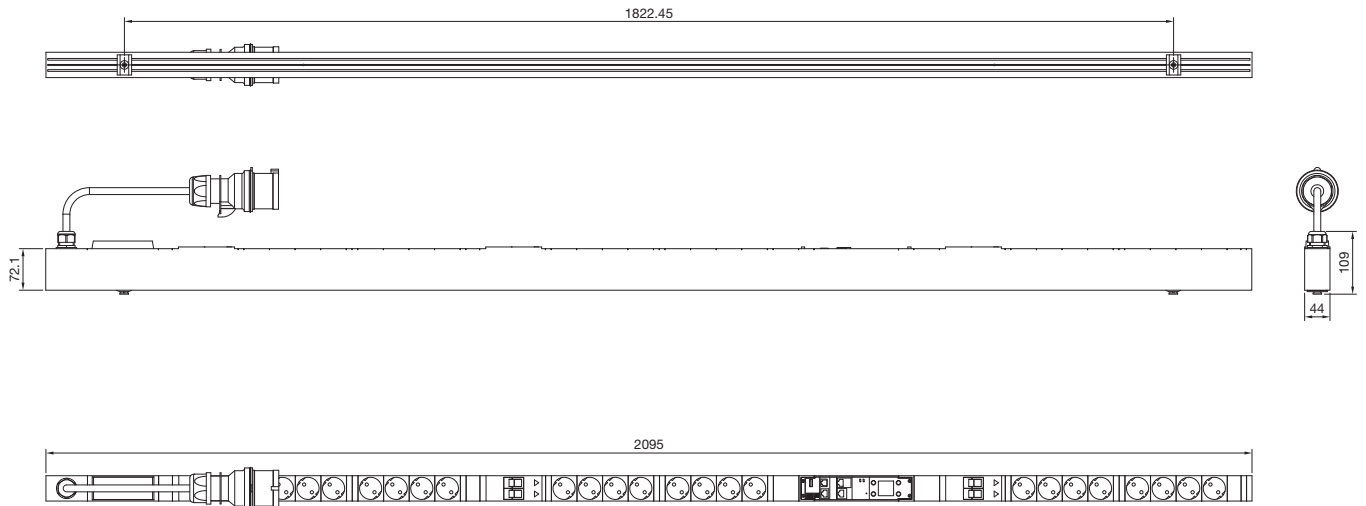
Circuit diagram



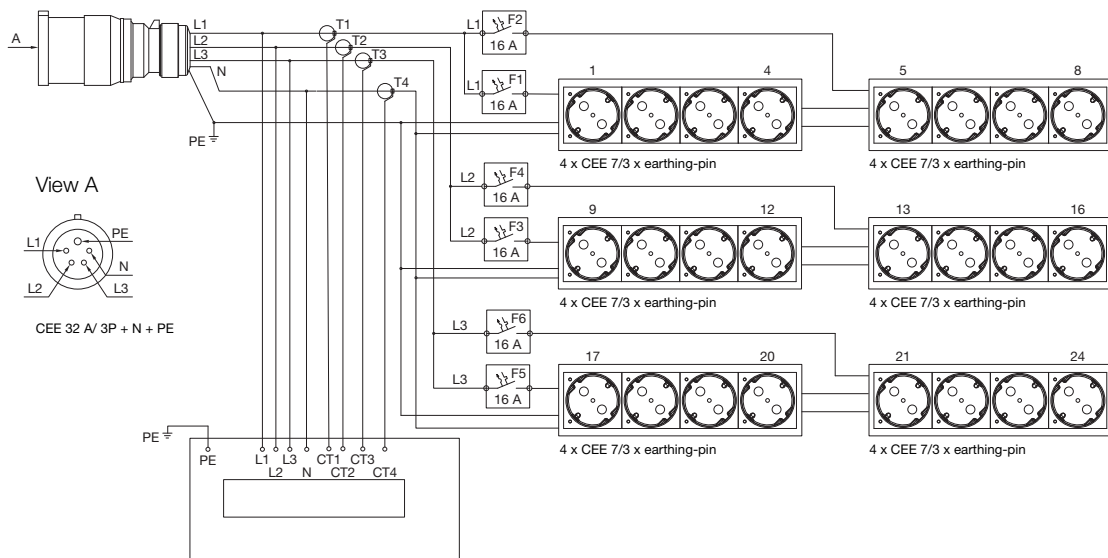
Power Distribution Unit

Metered version

DK 7979.234



Circuit diagram



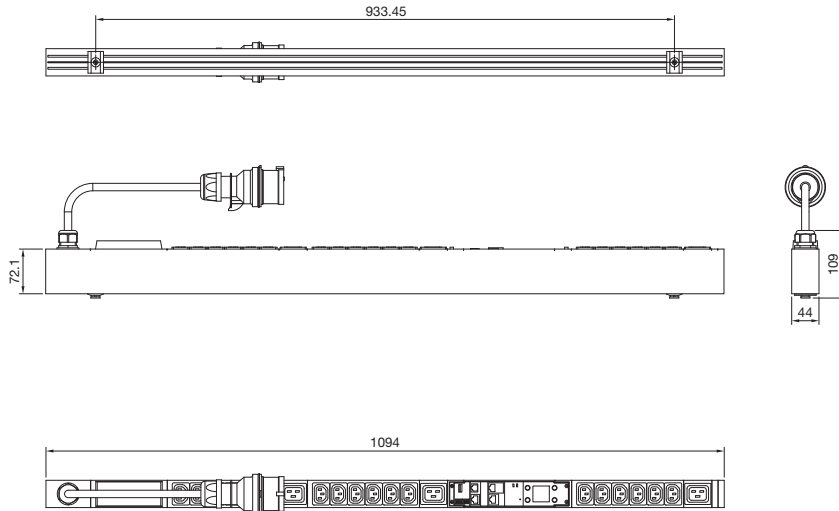
IT Infrastructure

IT power

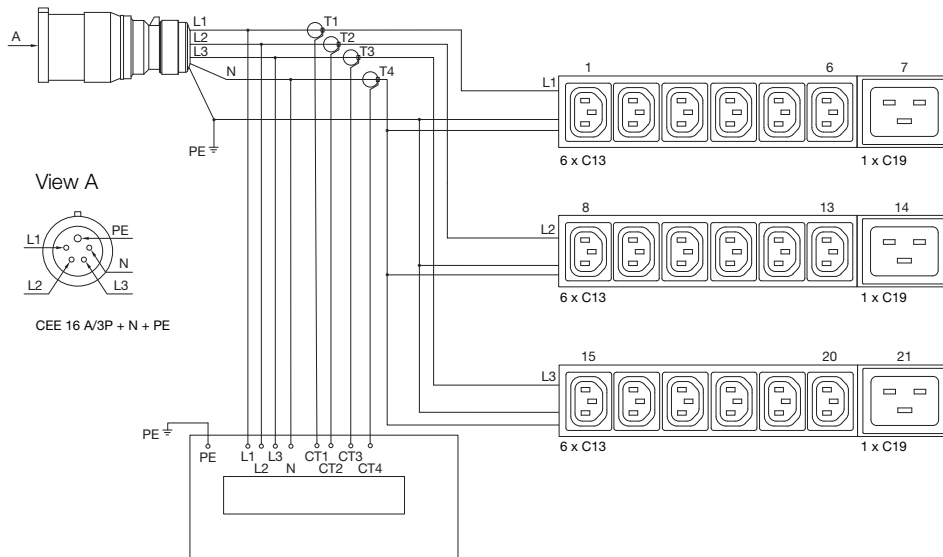
Power Distribution Unit

Metered version

DK 7979.235



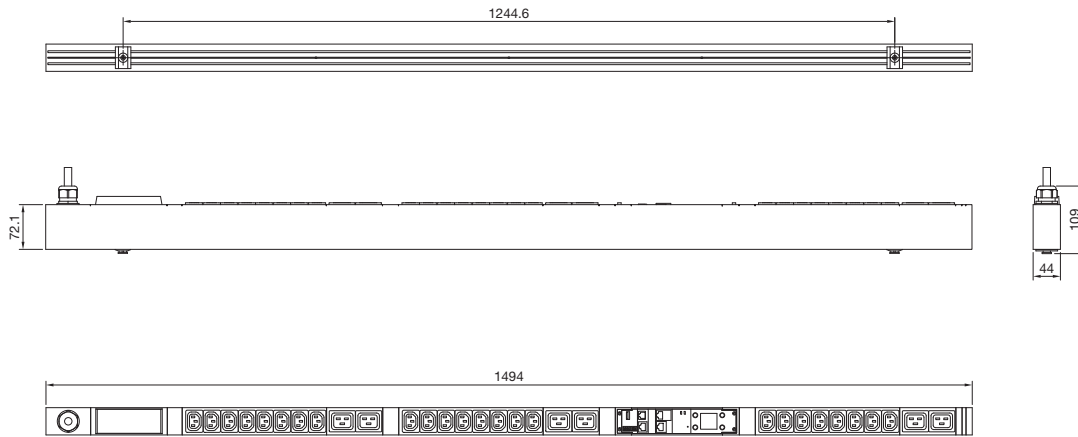
Circuit diagram



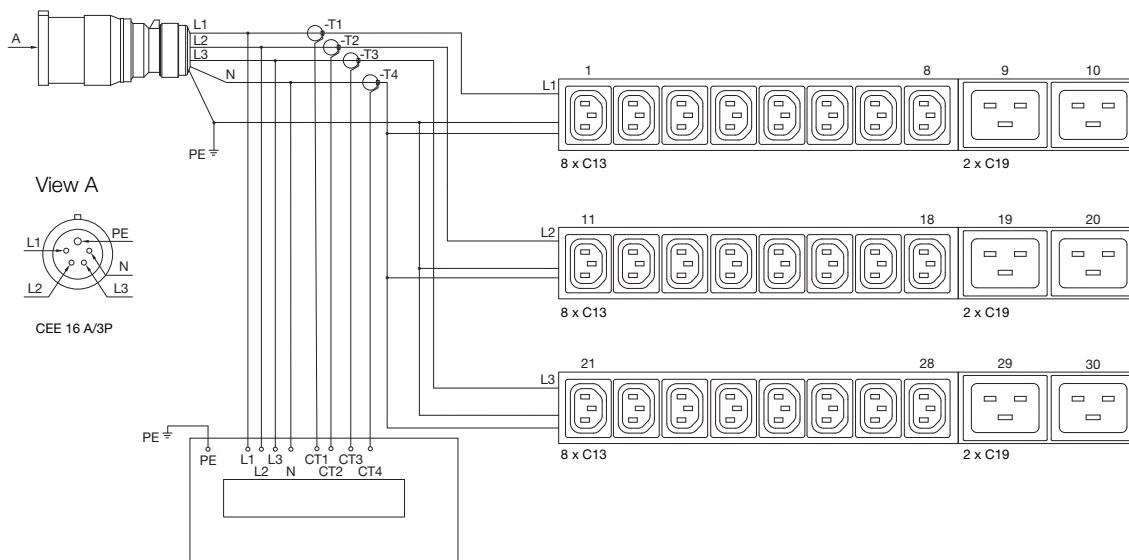
Power Distribution Unit

Metered version

DK 7979.236



Circuit diagram



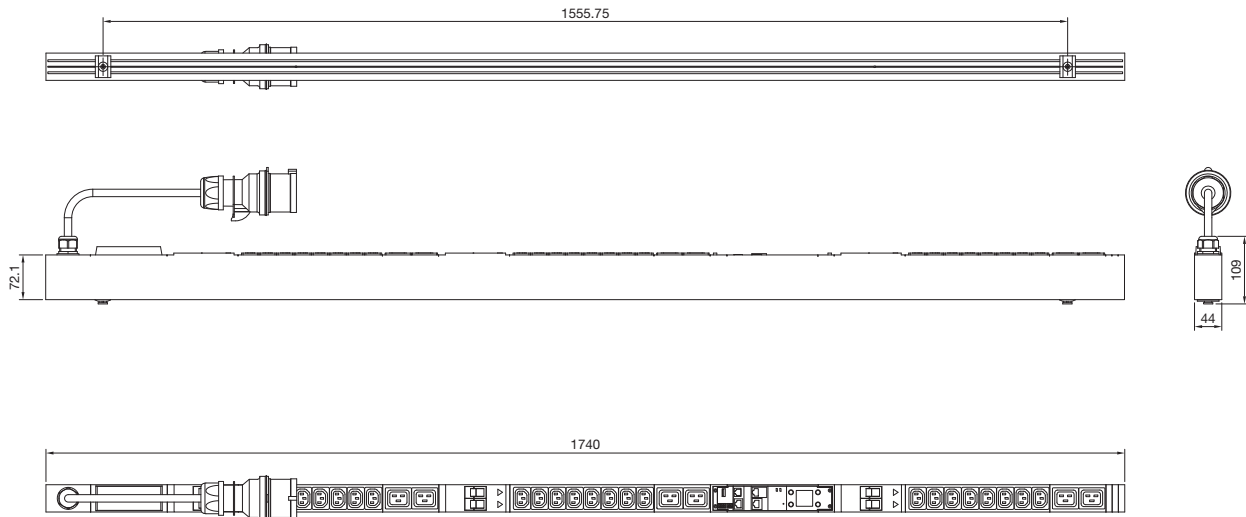
IT Infrastructure

IT power

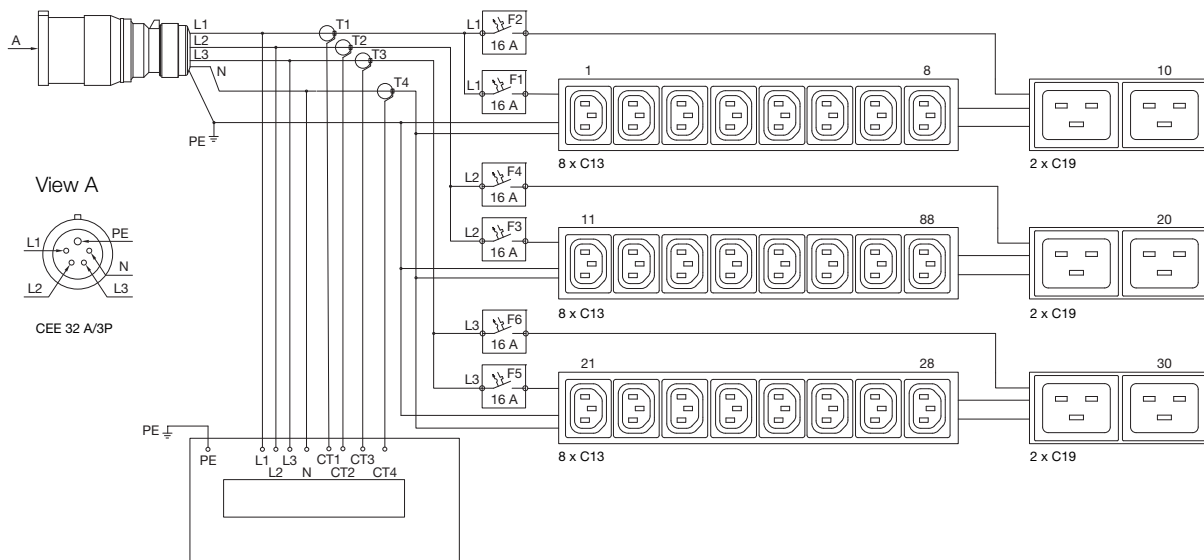
Power Distribution Unit

Metered version

DK 7979.237



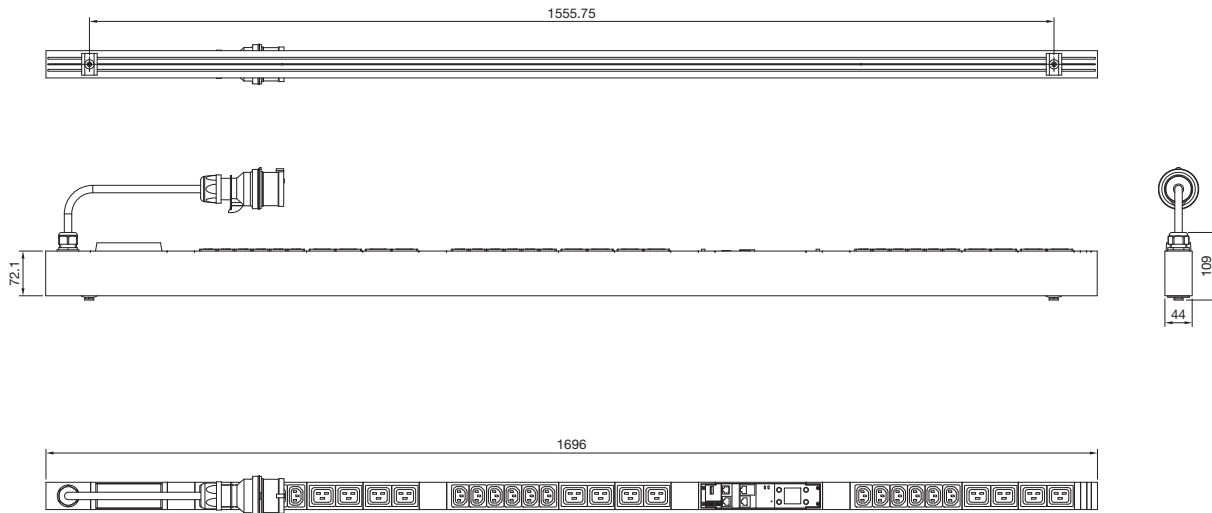
Circuit diagram



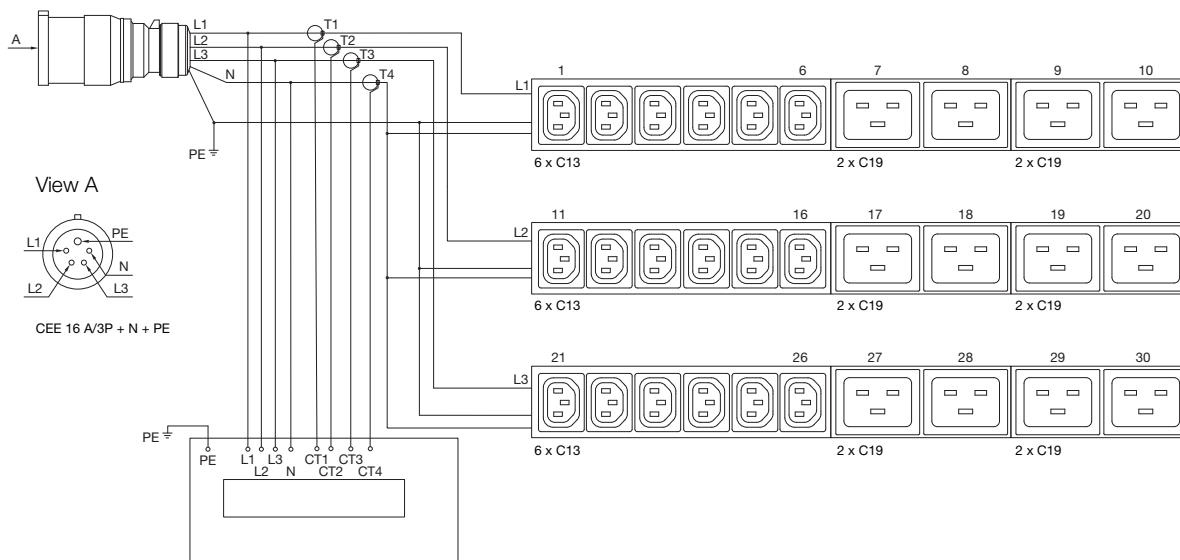
Power Distribution Unit

Metered version

DK 7979.238



Circuit diagram



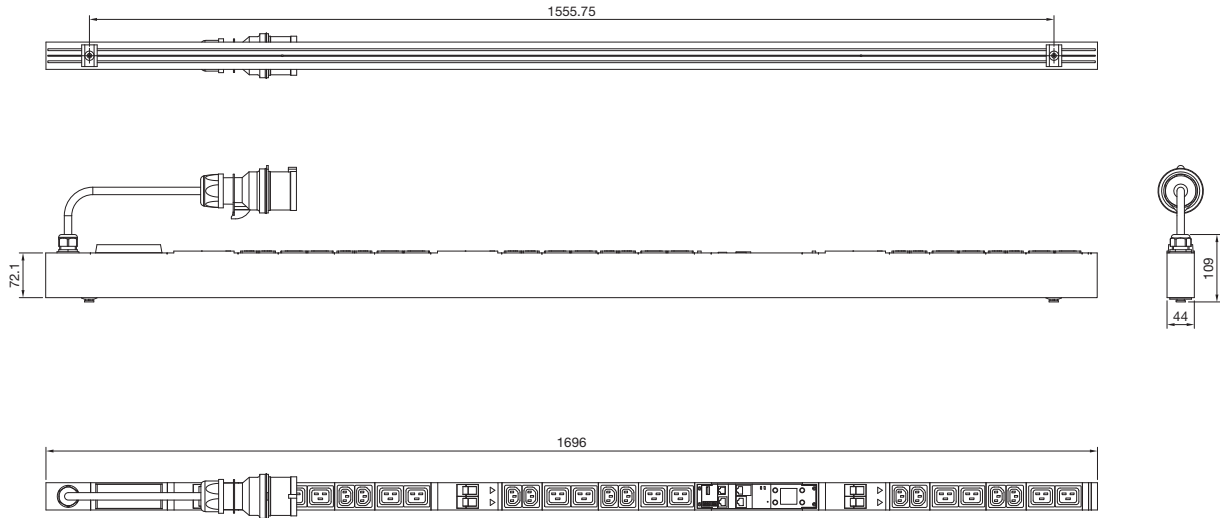
IT Infrastructure

IT power

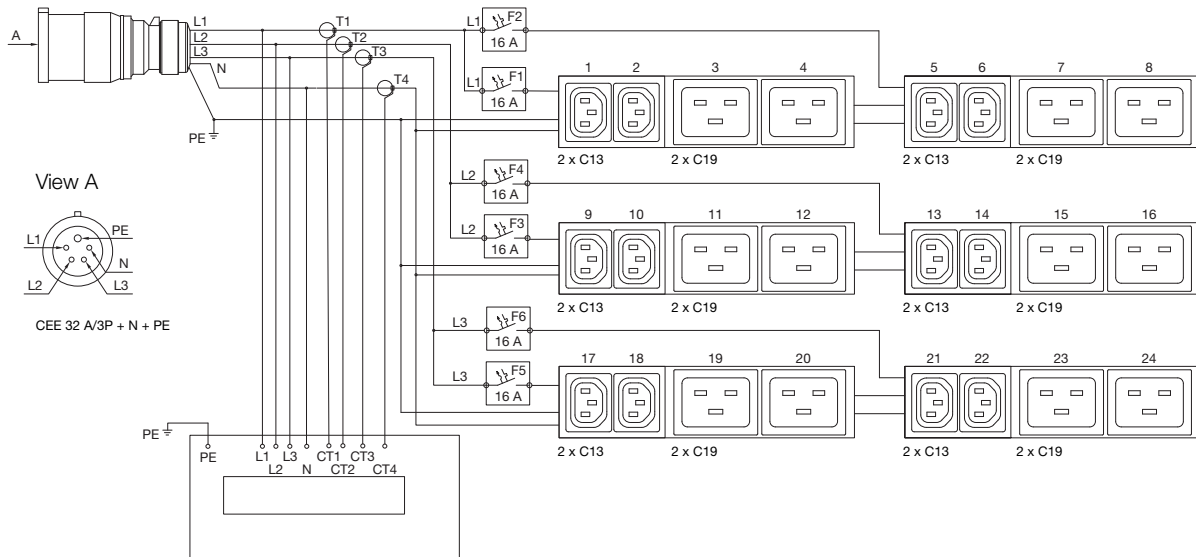
Power Distribution Unit

Metered version

DK 7979.239



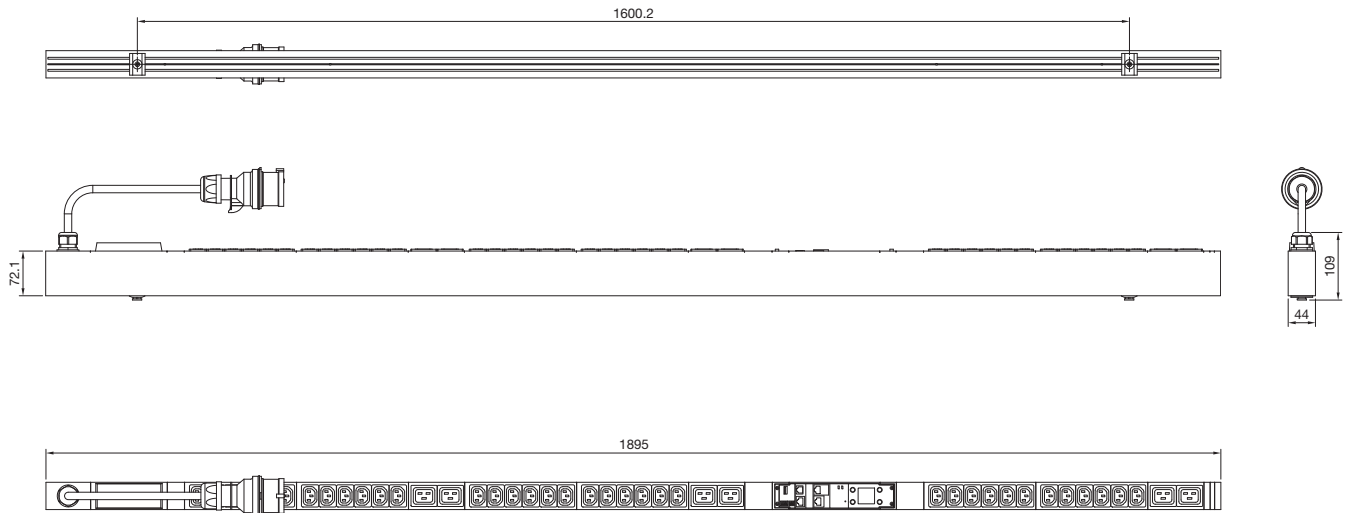
Circuit diagram



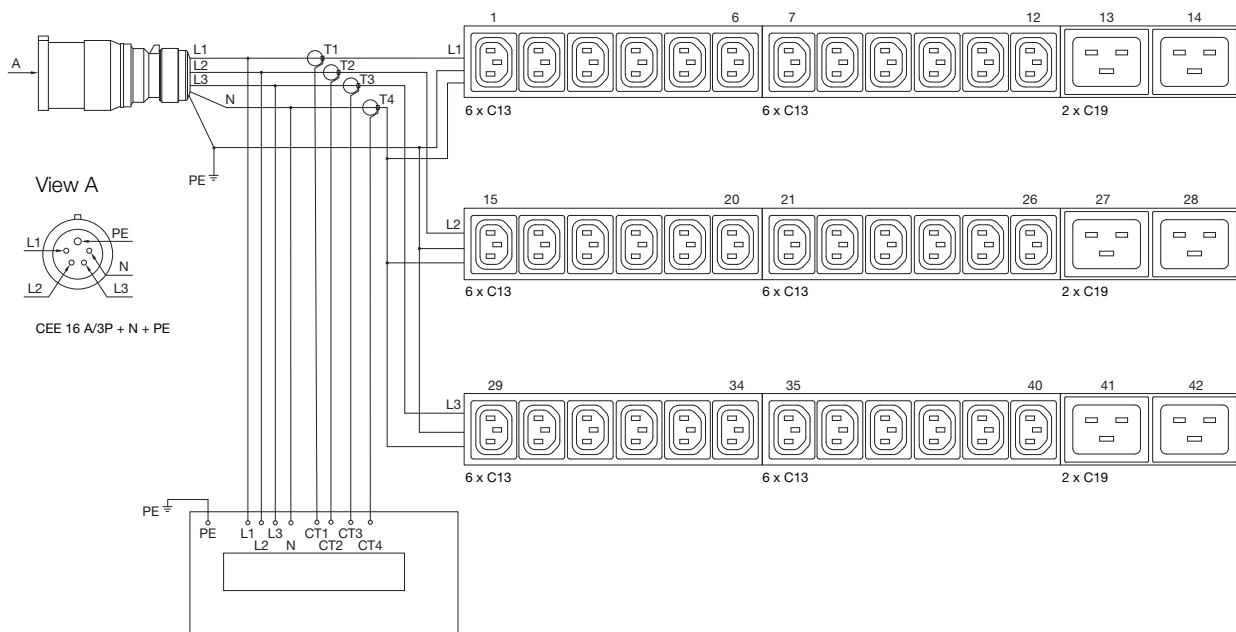
Power Distribution Unit

Metered version

DK 7979.240



Circuit diagram



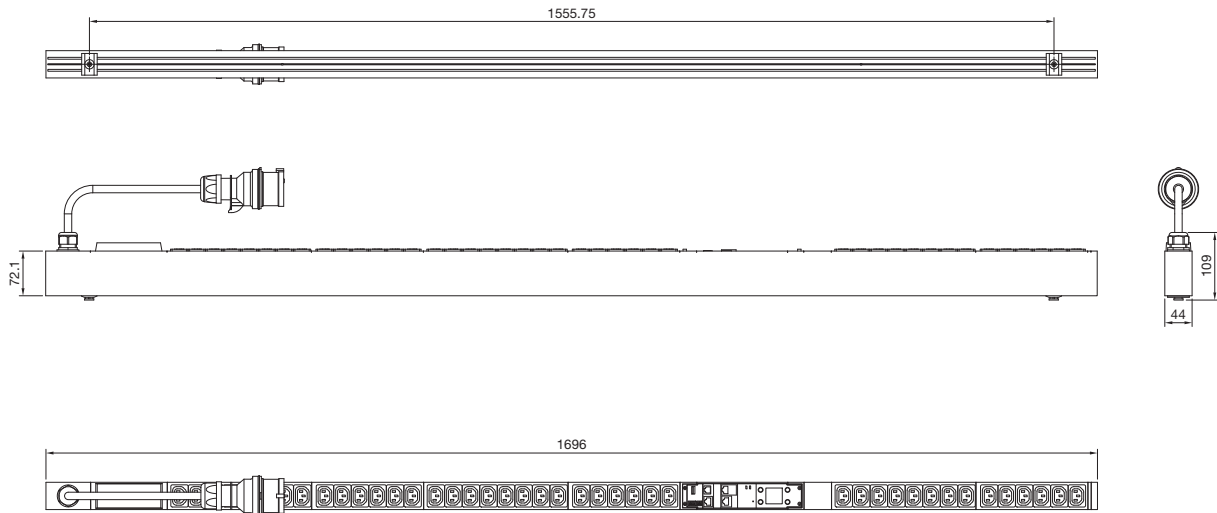
IT Infrastructure

IT power

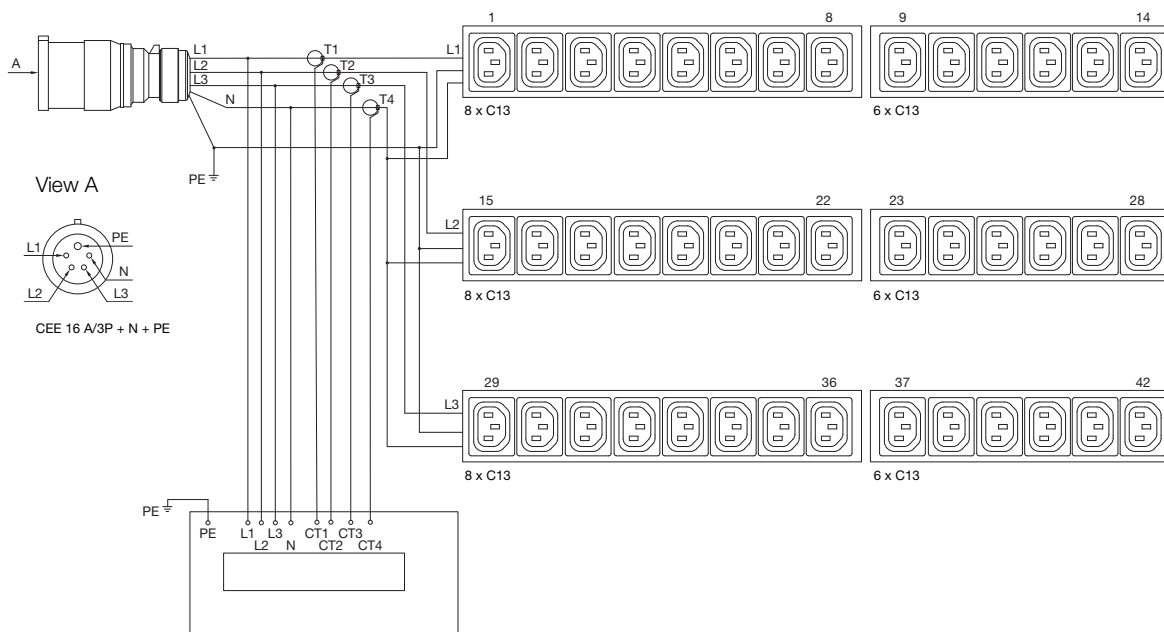
Power Distribution Unit

Metered version

DK 7979.242



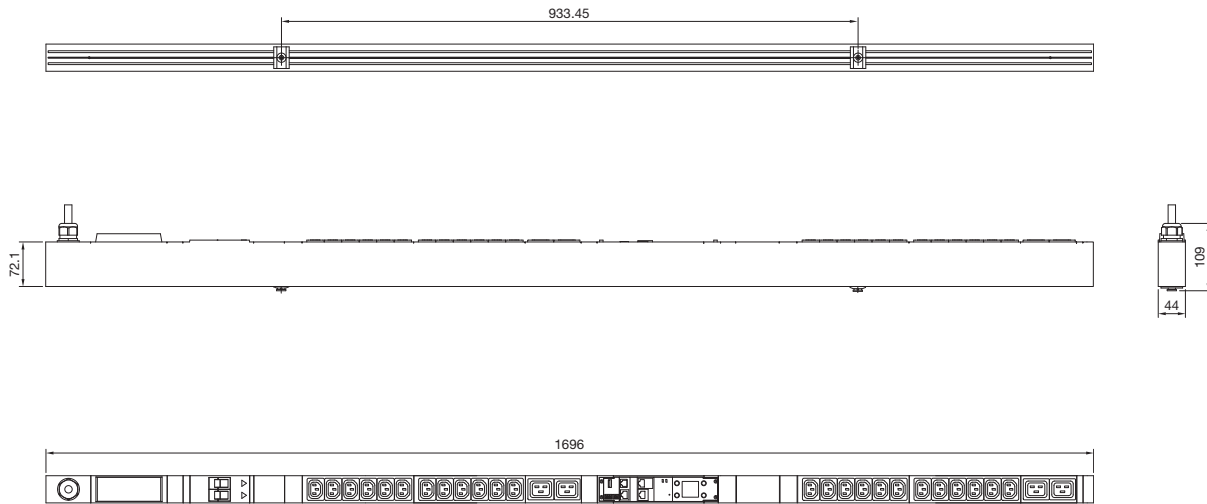
Circuit diagram



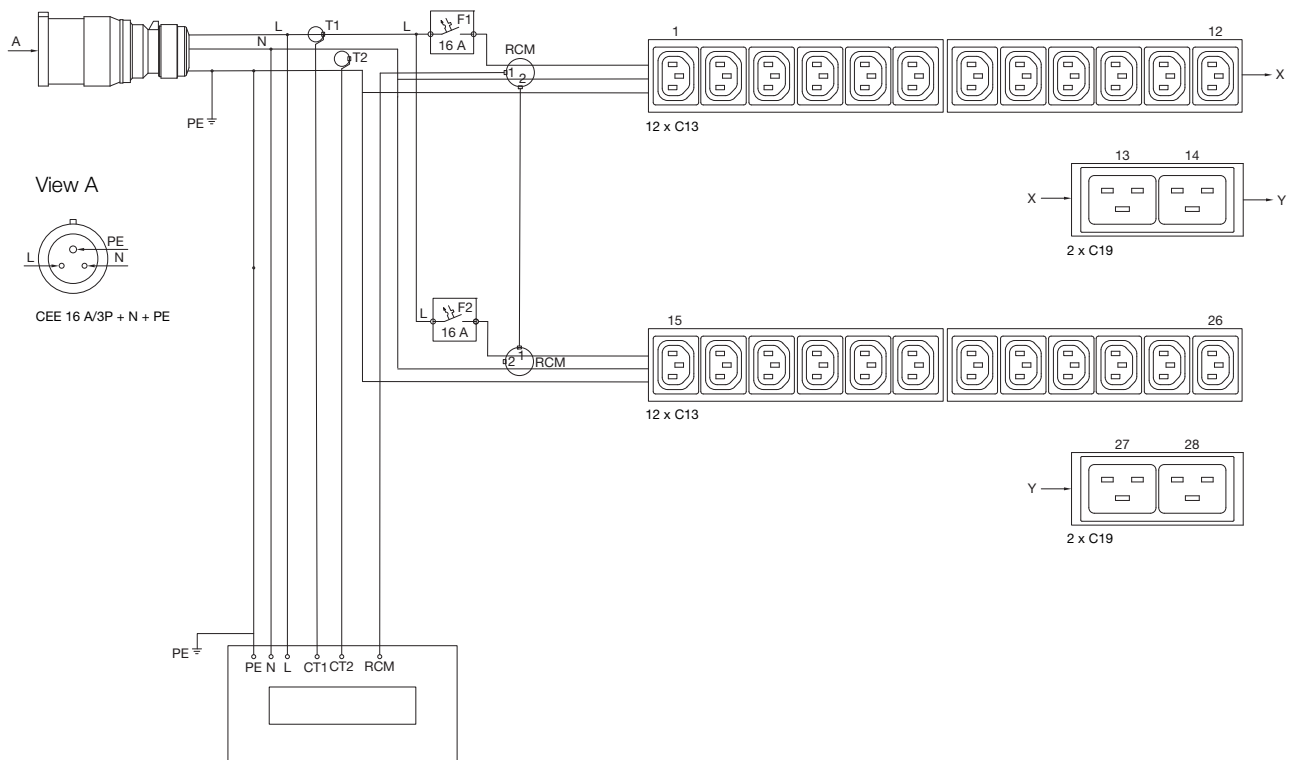
Power Distribution Unit

Metered version

DK 7979.256



Circuit diagram



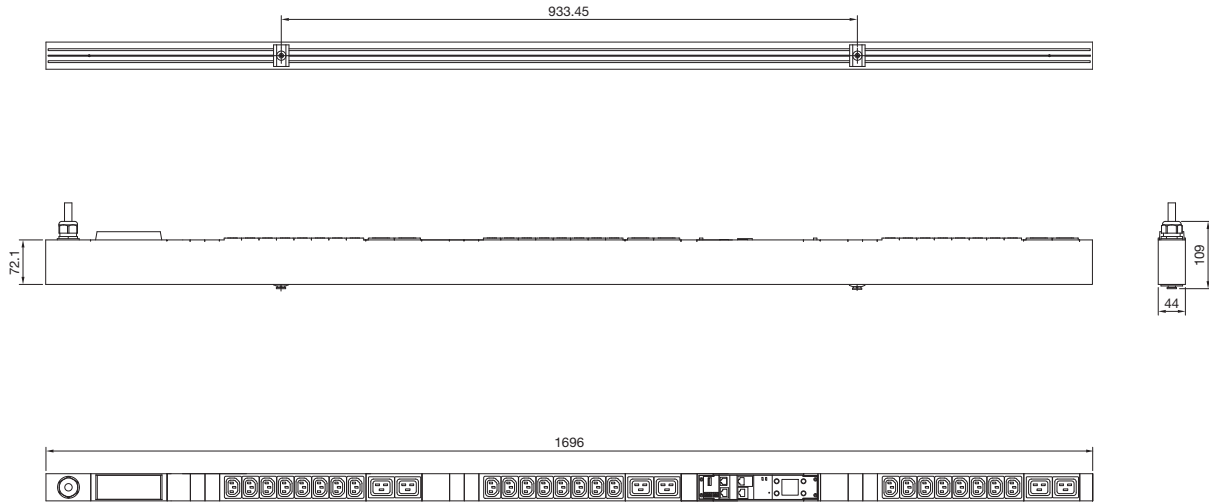
IT Infrastructure

IT power

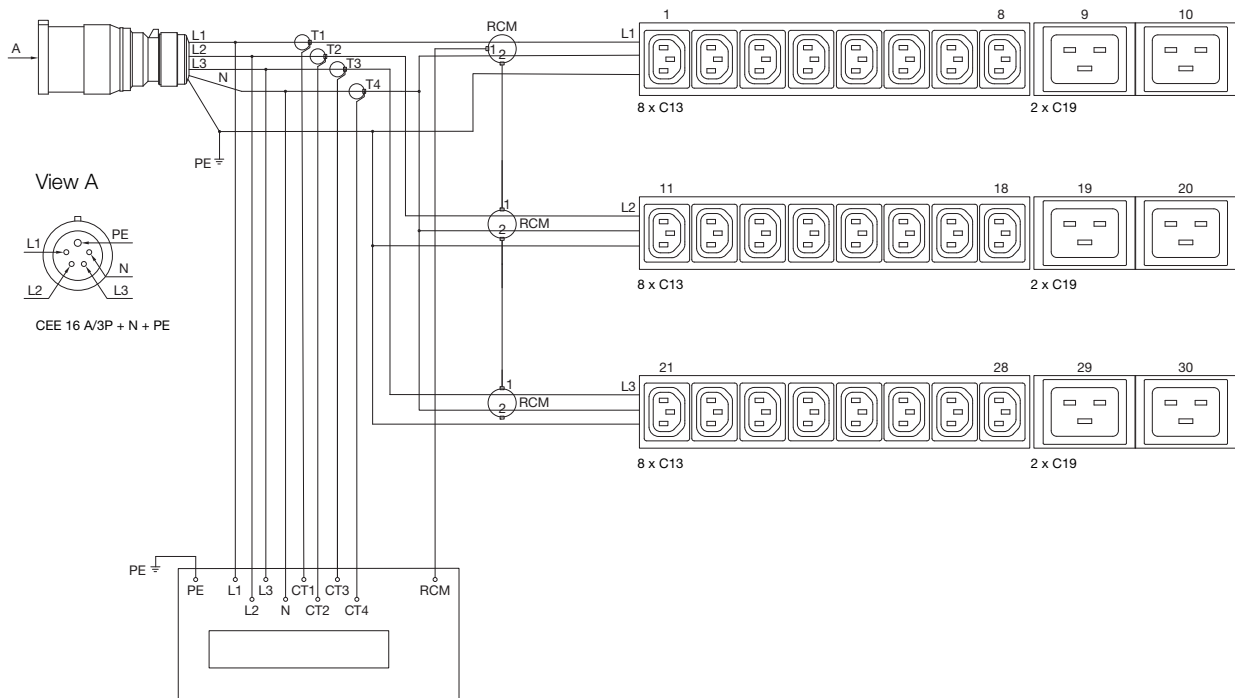
Power Distribution Unit

Metered version

DK 7979.276



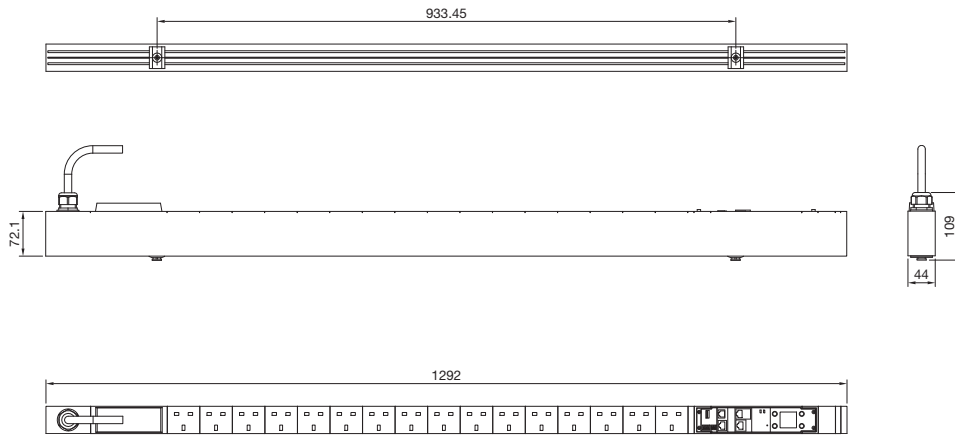
Circuit diagram



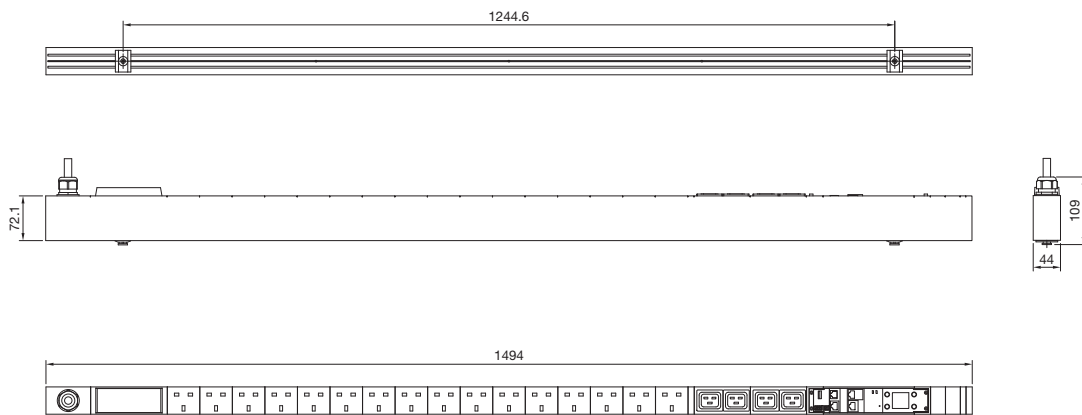
Power Distribution Unit UK

Metered version

DK 7979.821



DK 7979.822



DK 7979.823

