

Rittal – The System.

Faster – better – everywhere.

Compact enclosures AX, stainless steel

Technical documentation
Load capacity



ENCLOSURES

POWER DISTRIBUTION

CLIMATE CONTROL

IT INFRASTRUCTURE

SOFTWARE & SERVICES

FRIEDHELM LOH GROUP



Compact enclosures AX, stainless steel

Contents/general remarks

Contents

1. General notes	2
2. Enclosure	3
3. Mounting plate	3
4. Door	4
5. Mounting variants	4
5.1 Wall mounting bracket	4
5.2 Wall mounting bracket	5
5.3 Wall angle.....	5
5.4 Pole clamp	5

1. General notes

Based on the results of in-depth testing, we hope that this technical documentation will guide you through the assembly of enclosures/housings.

The technical descriptions for the various loading options with the AX compact enclosures are not warranted properties, and we are unable to accept any liability in this regard.

Additionally, Rittal reserves the right to extend or modify this technical documentation as and when necessary.

To aid understanding of the load specifications given in Newtons, here is the conversion formula for converting into kilograms.

$$F \text{ [N]} = m \text{ [kg]} \cdot g \text{ [m/s}^2\text{]}$$

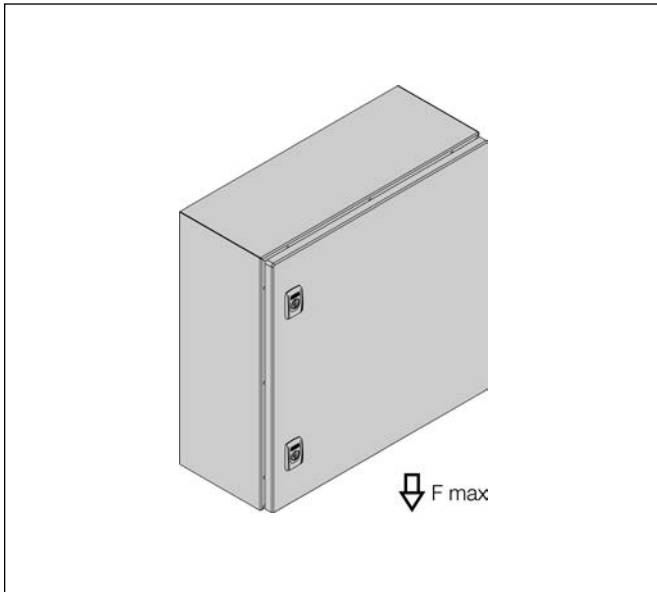
Example: $9.81 \text{ N} = 1 \text{ kg} \cdot 9.81 \text{ m/s}^2$ static load

Should you have any further questions or suggestions on the points raised in this technical documentation, please get in touch with your Rittal specialist advisor.

Compact enclosures AX, stainless steel

Load capacity

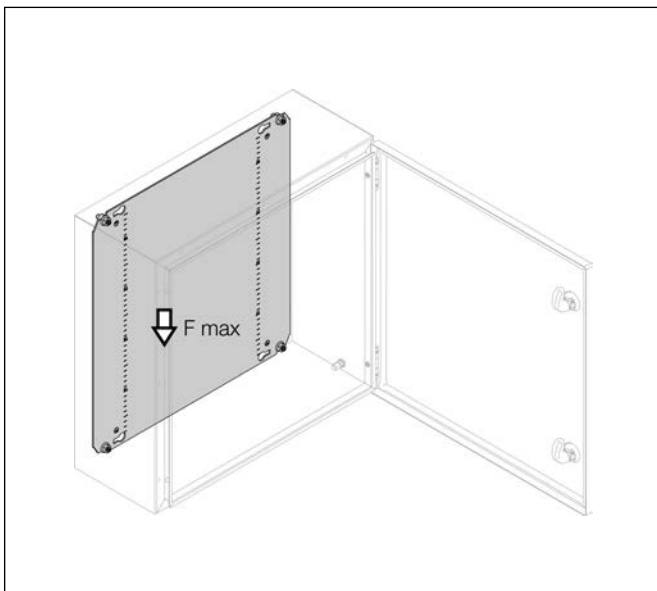
2. Enclosures



Overall load AX, stainless steel

Model No.	F [N]
1003.000	500
1005.000, 1011.000, 1015.000, 1302.000	800
1006.000, 1303.000	900
1007.000, 1008.000, 1009.000, 1013.000	1300
1010.000, 1012.000, 1304.000	1500
1014.000	1800
1016.000, 1018.000	2500
1017.000, 1019.000, 1305.000	3000

3. Mounting plate



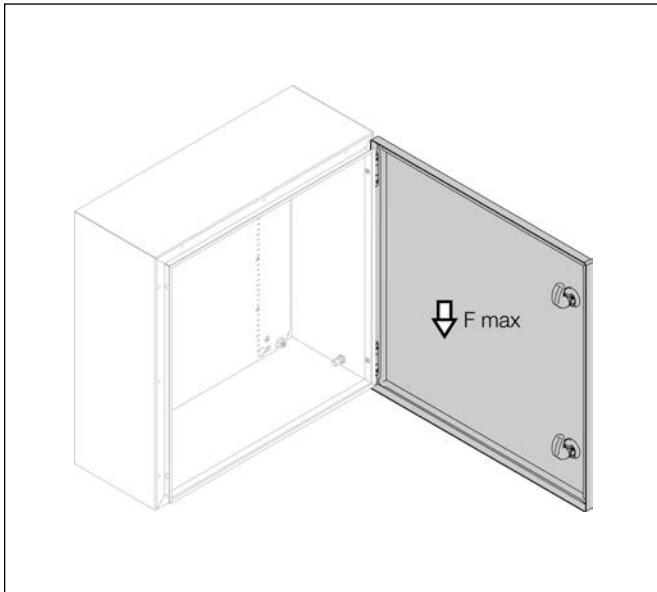
In standard enclosures.
Load values apply to symmetrical loading.

Model No.	F [N]
1003.000	300
1005.000, 1006.000, 1011.000, 1015.000, 1302.000, 1303.000	600
1007.000, 1008.000, 1009.000, 1013.000	1000
1010.000, 1012.000, 1304.000	1200
1014.000	1500
1016.000, 1018.000	2000
1017.000, 1019.000, 1305.000	2500

Compact enclosures AX, stainless steel

Load/attachment

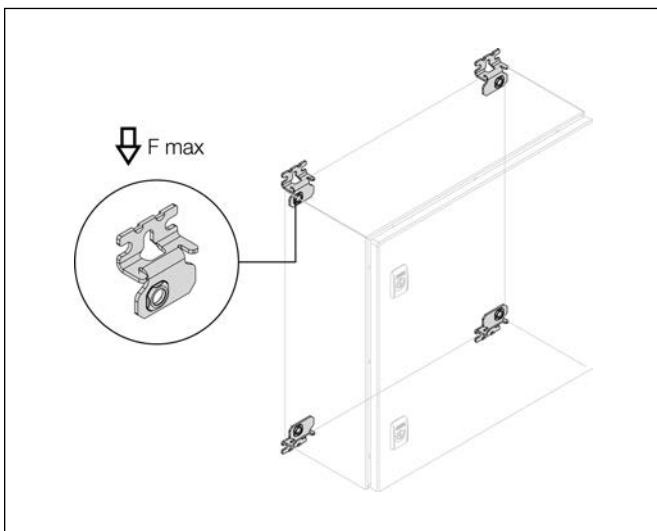
4. Door



Load values apply to symmetrical loading.
The enclosure must be securely attached to ensure its stability.

Model No.	F [N]
1003.000, 1005.000, 1009.000, 1011.000, 1015.000, 1302.000	150
1006.000, 1007.000, 1008.000, 1010.000, 1012.000, 1013.000, 1014.000, 1303.000, 1304.000	250
1016.000, 1018.000, 1017.000, 1019.000, 1305.000	400

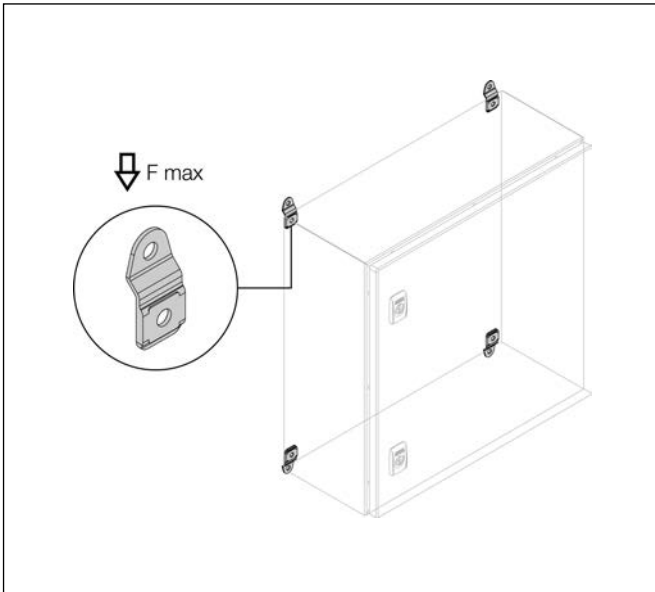
5. Mounting variants



5.1 Wall mounting bracket 2433.010, 2433.510

Can also be installed rotated through 90°.
With symmetrical loading, the load for four brackets is $F = 1500\text{ N}$
Note max. enclosure loading!

5. Mounting variants

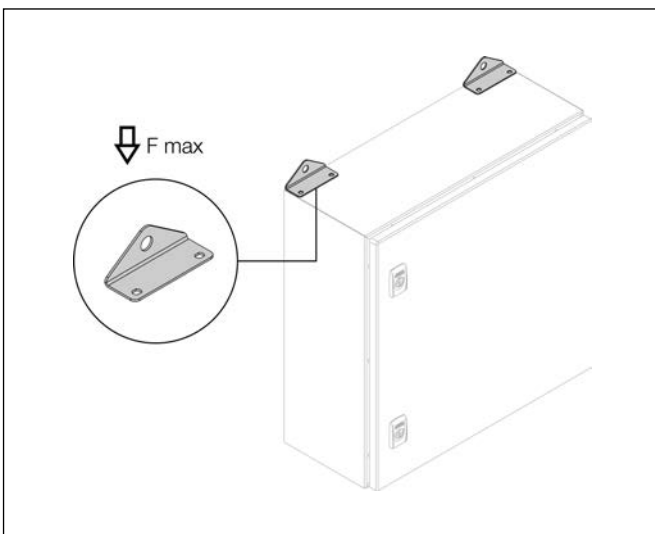


5.2 Wall mounting bracket 1594.010

Can also be installed rotated through 90°.

With symmetrical loading, the load for four brackets is $F = 900 \text{ N}$

Note max. enclosure loading!



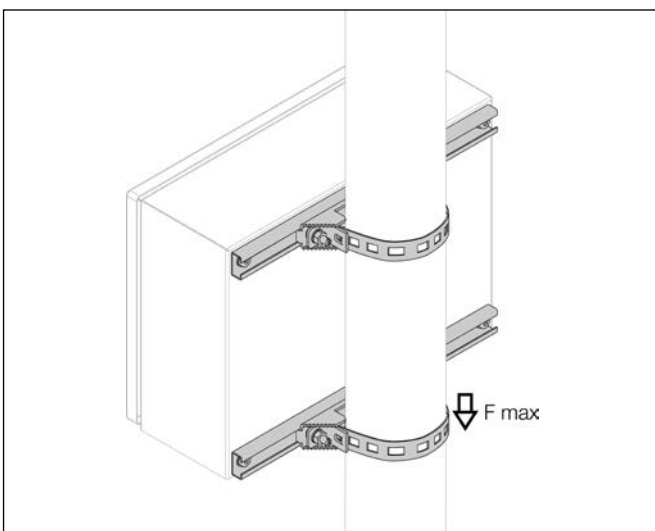
5.3 Wall angle 2583.010

With symmetrical loading, the load

for four angles is $F = 3000 \text{ N}$

for two angles is $F = 2000 \text{ N}$

Note max. enclosure loading!



5.4 Pole clamp 2584.100

With symmetrical loading, the load for two pole clamps is $F = 1000 \text{ N}$

Note max. enclosure loading!

Rittal – The System.

Faster – better – everywhere.

- Enclosures
- Power Distribution
- Climate Control
- IT Infrastructure
- Software & Services

You can find the contact details of all Rittal companies throughout the world here.



www.rittal.com/contact

XWWW00271EN2407

ENCLOSURES

POWER DISTRIBUTION

CLIMATE CONTROL

IT INFRASTRUCTURE

SOFTWARE & SERVICES



FRIEDHELM LOH GROUP