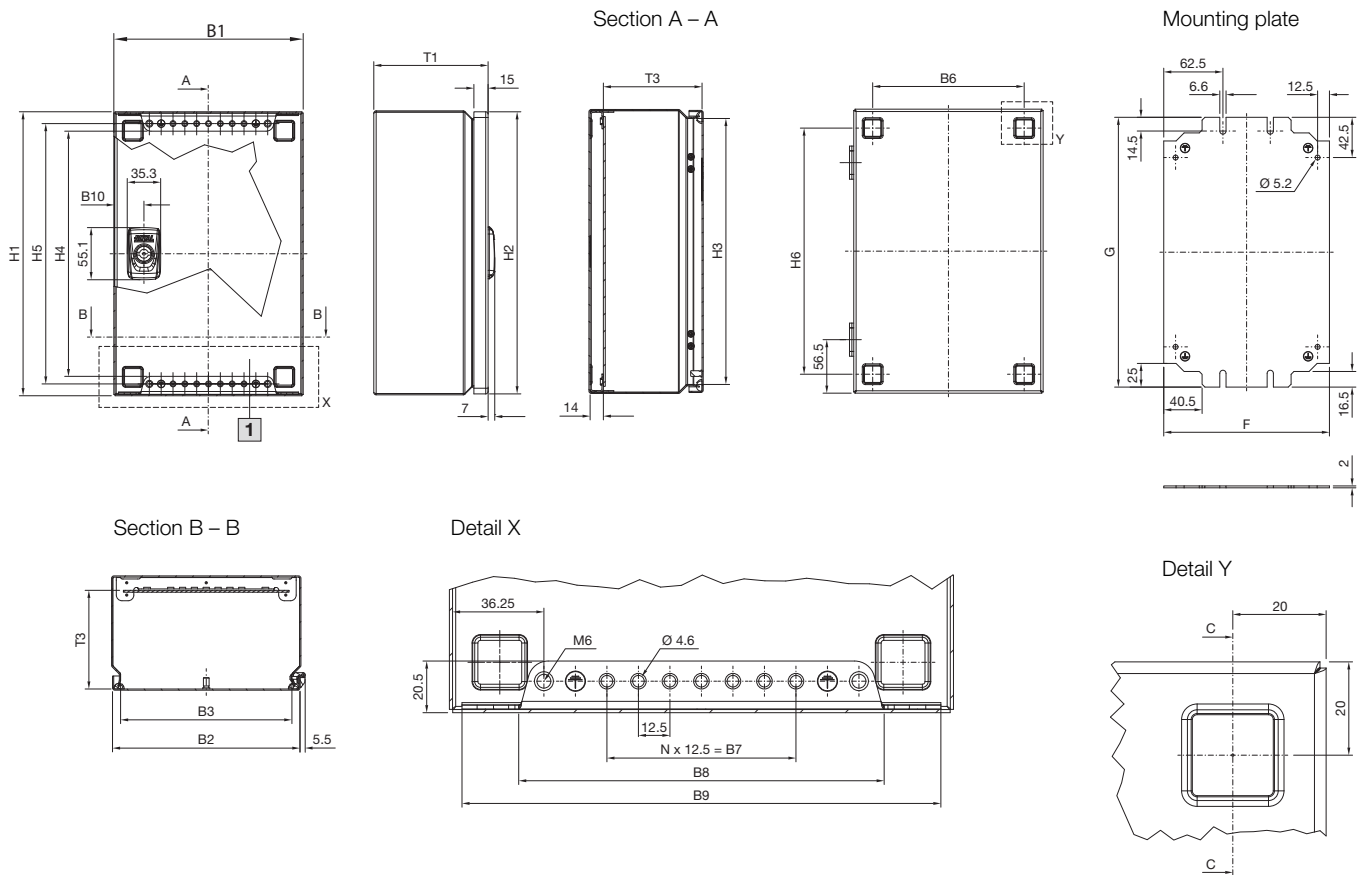


Small enclosures

Small enclosures KX, stainless steel

E-Box KX

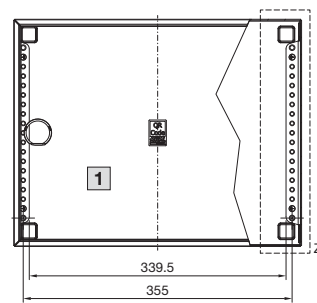


Enclosure

- B1 = Enclosure width (overall width)
- B2 = Door width
- B3 = Clearance width, enclosure opening
- B6 = Mounting distance, enclosures
- B7 = Overall width, 12.5 mm pitch pattern of holes
- B8 = Clearance of L brackets
- B9 = Overall width, 25 mm pitch pattern of holes
- B10 = Distance from centre of lock cut-out to door edge
- 1 = Enclosure height (overall height)
- H2 = Door height
- H3 = Clearance height, enclosure opening
- H4 = Clearance height between L brackets
- H5 = Distance between axes of the mounting holes in the L brackets
- H6 = Mounting distance, enclosures
- H7 = Overall height, 12.5 mm pitch pattern of holes
- T1 = Overall depth
- T3 = Installation depth (distance from inside of door to L bracket)
- N = No. of 12.5 mm pitch patterns of holes

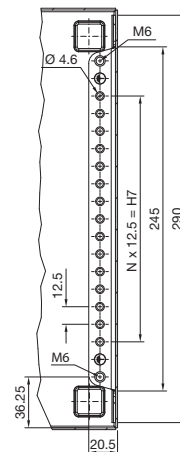
KX 1588.000

Interior installation rotated through 90° (L bracket and mounting plate attachment left and right)

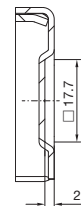


1 Internal view

Detail Z



Section C - C



Model No. KX	Width dimensions mm								Height dimensions mm							Depth dimensions mm		Mounting plate mm		
	B1	B2	B3	B6	B7	B8	B9	B10	H1	H2	H3	H4	H5	H6	H7	T1	T3	F	G	N
1301.000	200	198	181	160	75	145	190	31.3	300	298	281	259.5	275	260	-	155.7	139.2	175	285	6
1584.000	200	198	181	160	75	145	190	30.8	300	298	281	259.5	275	260	-	120.7	104.2	175	285	6
1587.000	200	198	181	160	75	145	190	30.8	300	298	281	259.5	275	260	-	155.7	139.2	175	285	6
1588.000	380	378	361	340	-	-	-	30.8	300	298	281	-	-	260	175	155.7	139.2	275	365	14