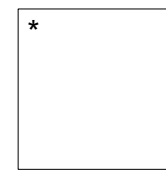
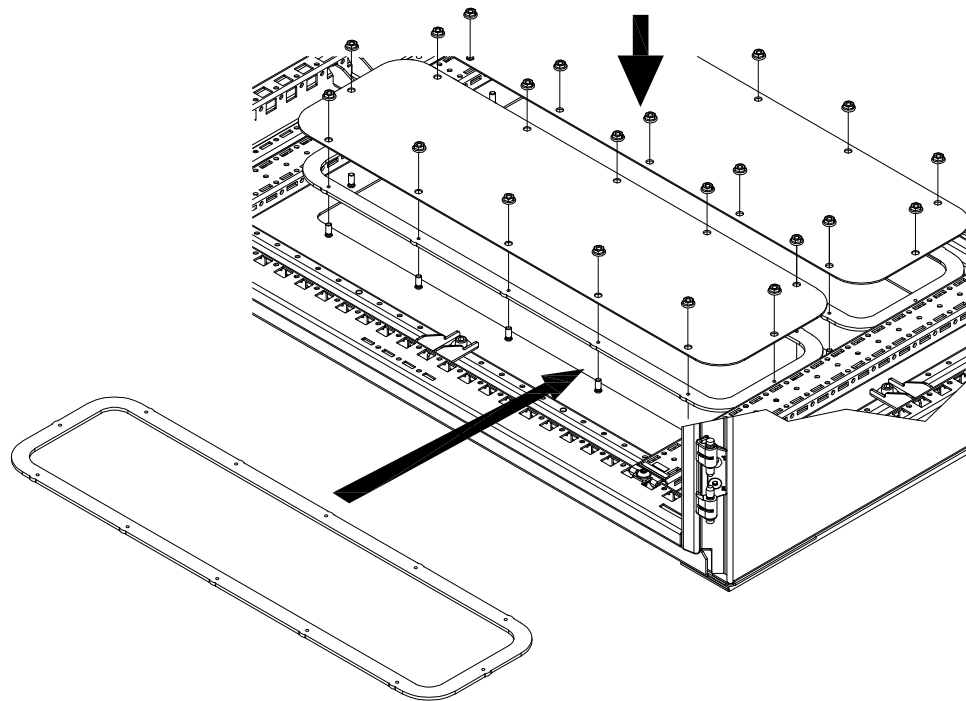
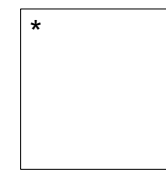


12x / 24x M_A = 2+1 Nm



5831.680

5834.680



5852.680

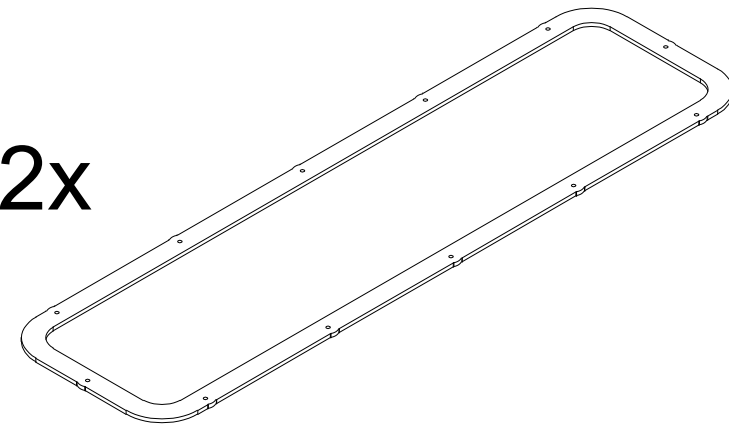
5853.680

SE

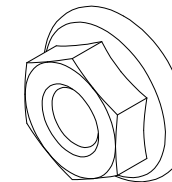


www.rittal.com

2x



20x



M5

Dok.-Nr. / No. of doc.: A098470 02 SE
 Versandbeutel-Nr. / No. of accessory bag: 379704

Country of origin:
 Lieferanten-Nr. / No. of supplier:

RITTAL GmbH & Co. KG, Auf dem Stuetzelberg, 35745 Herborn
 RITTAL Limited, Braithwell Way, Hellaby, Rotherham, S66 8QY, UK