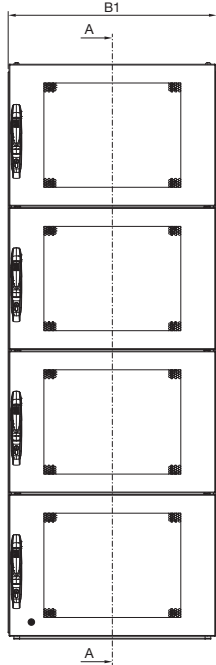


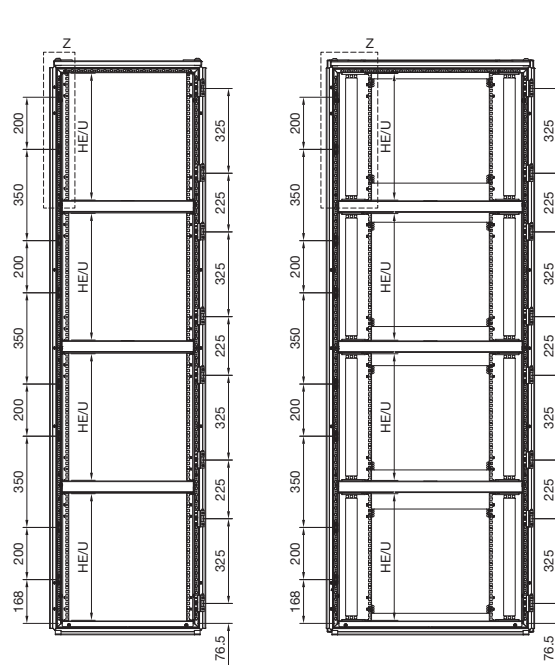
Compartment rack VX IT

Divided into four, vented

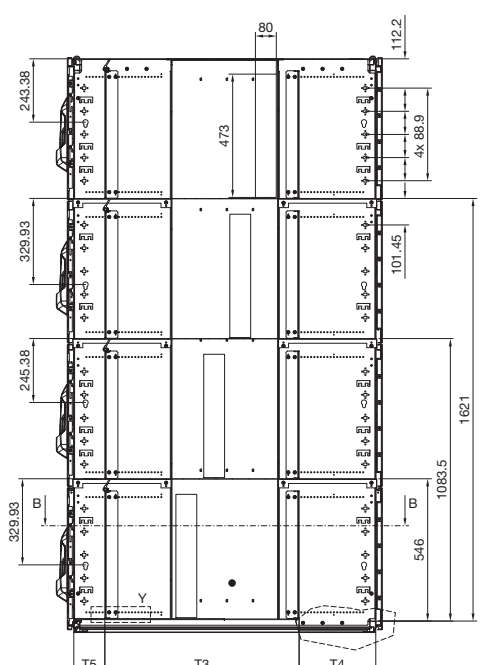
Front view
Width 800 mm



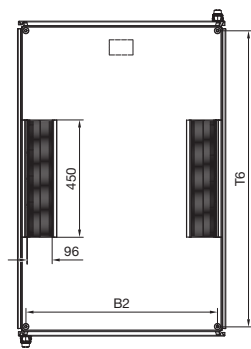
Front view without doors
Width 600 mm Width 800 mm



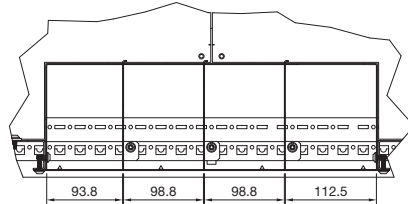
Section A – A



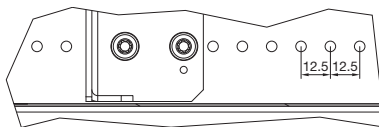
Top view



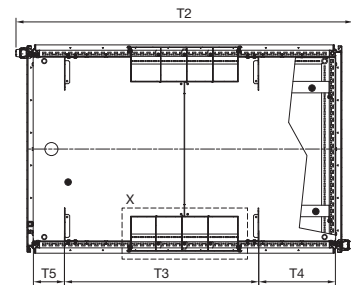
Detail X



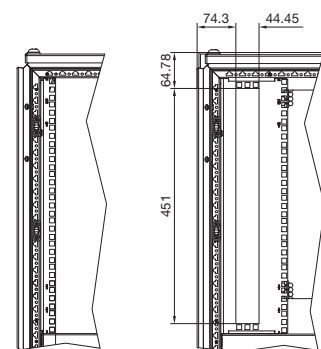
Detail Y



Section B – B



Detail Z
Width 600 Width 800



B1 = Overall width
B2 = Roof attachment spacing

T1 = Overall depth without handles
T2 = Overall depth with handles
T3 = Distance between 482.6 mm (19") mounting levels
T4 = Clearance behind 482.6 mm (19") mounting level
T5 = Clearance in front of 482.6 mm (19") mounting level
T6 = Roof attachment spacing

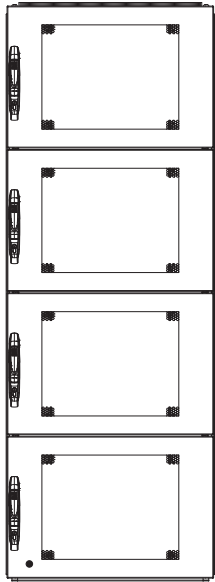
Model No. VX IT	U	Width dimensions mm		Depth dimensions mm					
		B1	B2	T1	T2	T3 ³⁾	T4 ²⁾	T5 ¹⁾	T6
5313.185	4 x 11	599	535	1008	1090	745	94	119	935
5314.185	4 x 11	799	735	1008	1090	745	94	119	935
5315.185	4 x 11	599	535	1208	1290	745	294	119	1135
5316.185	4 x 11	799	735	1208	1290	745	294	119	1135

¹⁾ Min. distance: 31.5 mm ²⁾ Min. distance: 31.5 mm ³⁾ Max. distance: 895 mm (5313.185, 5314.185), 1095 mm (5315.185, 5316.185)

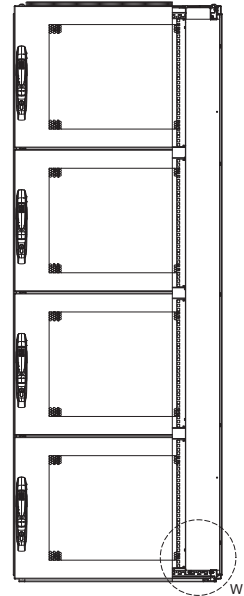
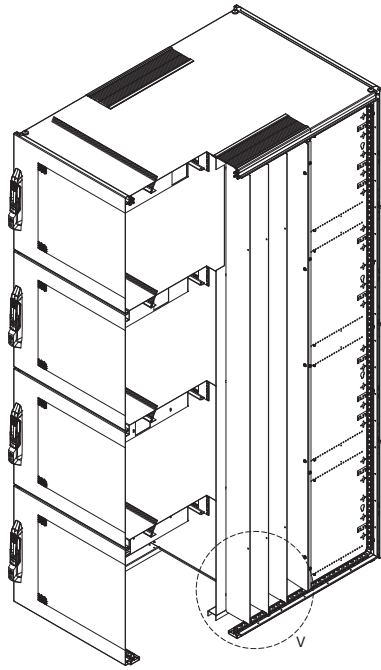
Compartment rack VX IT

Divided into four, vented

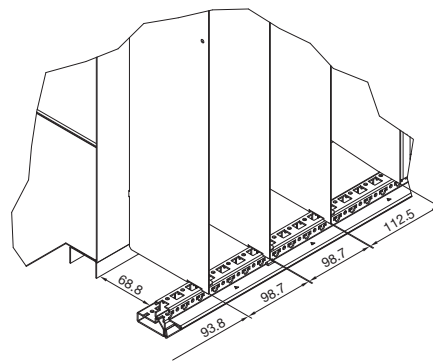
Rear view
Width 800 mm



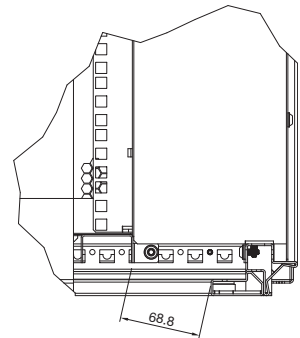
Details for cable duct with width 800 mm



Detail V



Detail W



Shown without cover plate for cable duct,
front gland plate