

Rittal Specification Sheet



SKU Part Number:	9982200
SKU Revision:	00
Description:	RACK 24Ux600Wx1070D W/SIDES
Weight:	[.1] kg. (Lbs)
Material:	Mild Steel
Door System:	2 Point Hinged Front and Rear Door's Single Point Latch (Locked).
Packaged Weight:	[.1] kg. (Lbs)
Compliance:	RoHS REACH
Standards:	EIA-310- UL 2416
DOOR MESH PATTRERN:	81% OPEN AREA HEX.



RITTAL LLC	
RACK 24Ux600Wx1070D W/SIDES	
PRODUCT NUMBER:	REV
D9982200	00
RITTAL -LLC, US.	

ALL DIMENSIONS ARE REFERENCE ONLY

SCALE 0.100

ENCLOSURES

POWER DISTRIBUTION

CLIMATE CONTROL

IT INFRASTRUCTURE

SOFTWARE & SERVICES

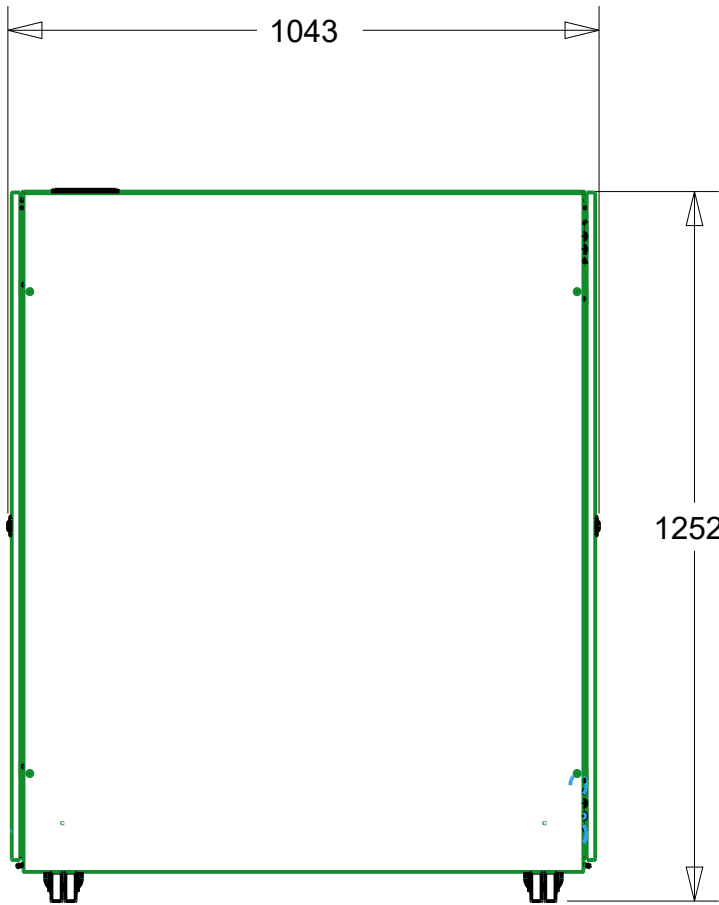
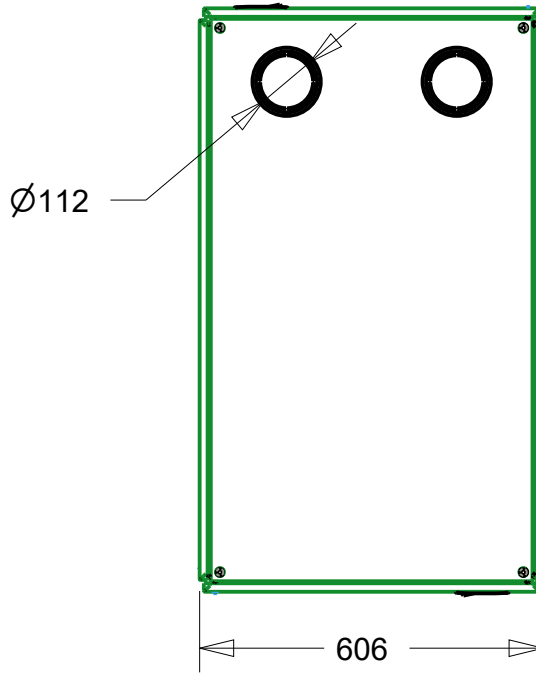
FRIEDHELM LOH GROUP

Sheet: 1 OF 4

Rittal Specification Sheet



SKU Part Number:	9982200
Description:	RACK 24Ux600Wx1070D W/SIDES



RITTAL LLC	
RACK 24Ux600Wx1070D W/SIDES	
PRODUCT NUMBER:	REV
D9982200	00
RITTAL -LLC, US.	

ALL DIMENSIONS ARE REFERENCE ONLY

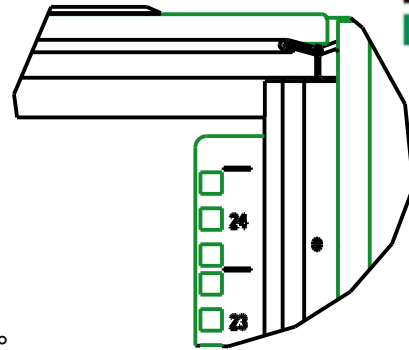
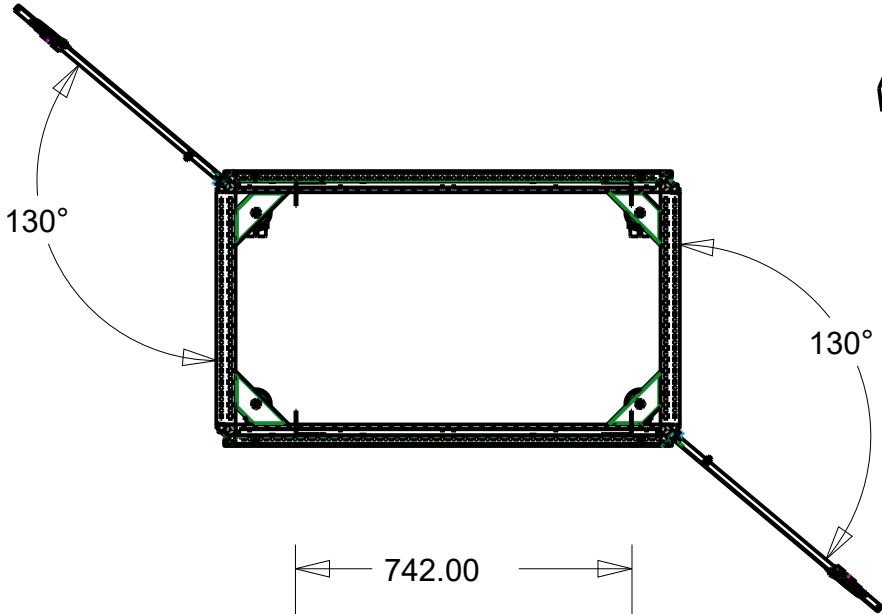
SCALE 0.075



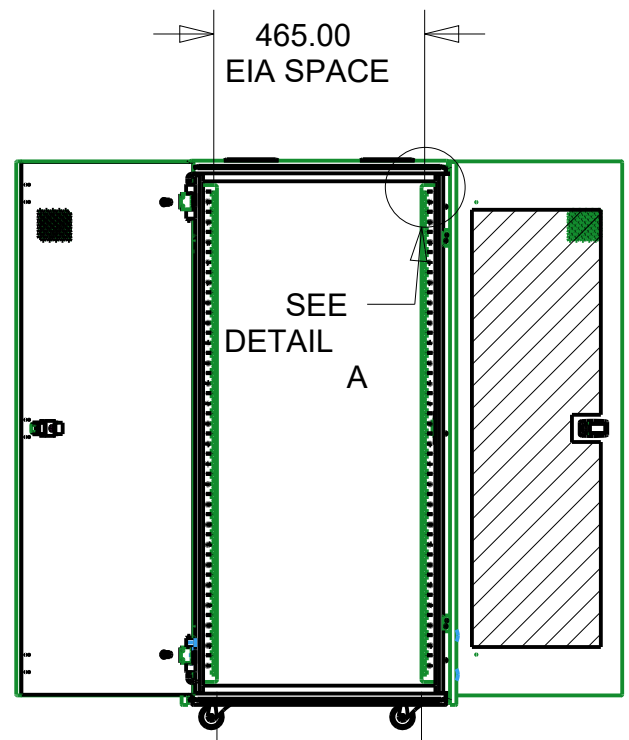
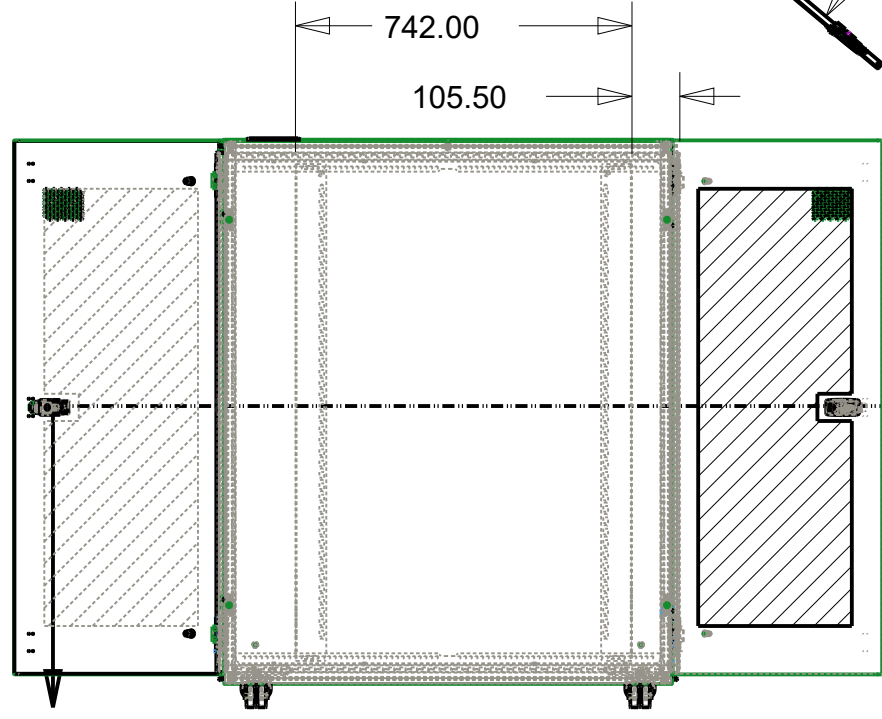
Rittal Specification Sheet



SKU Part Number:	9982200
Description:	RACK 24Ux600Wx1070D W/SIDES



DETAIL A
SCALE 0.300



SEE
DETAIL
A

SCALE 0.060

XSEC0001

XSEC0001

RITTAL LLC	
RACK 24Ux600Wx1070D W/SIDES	
PRODUCT NUMBER:	REV
D9982200	00
RITTAL -LLC, US.	

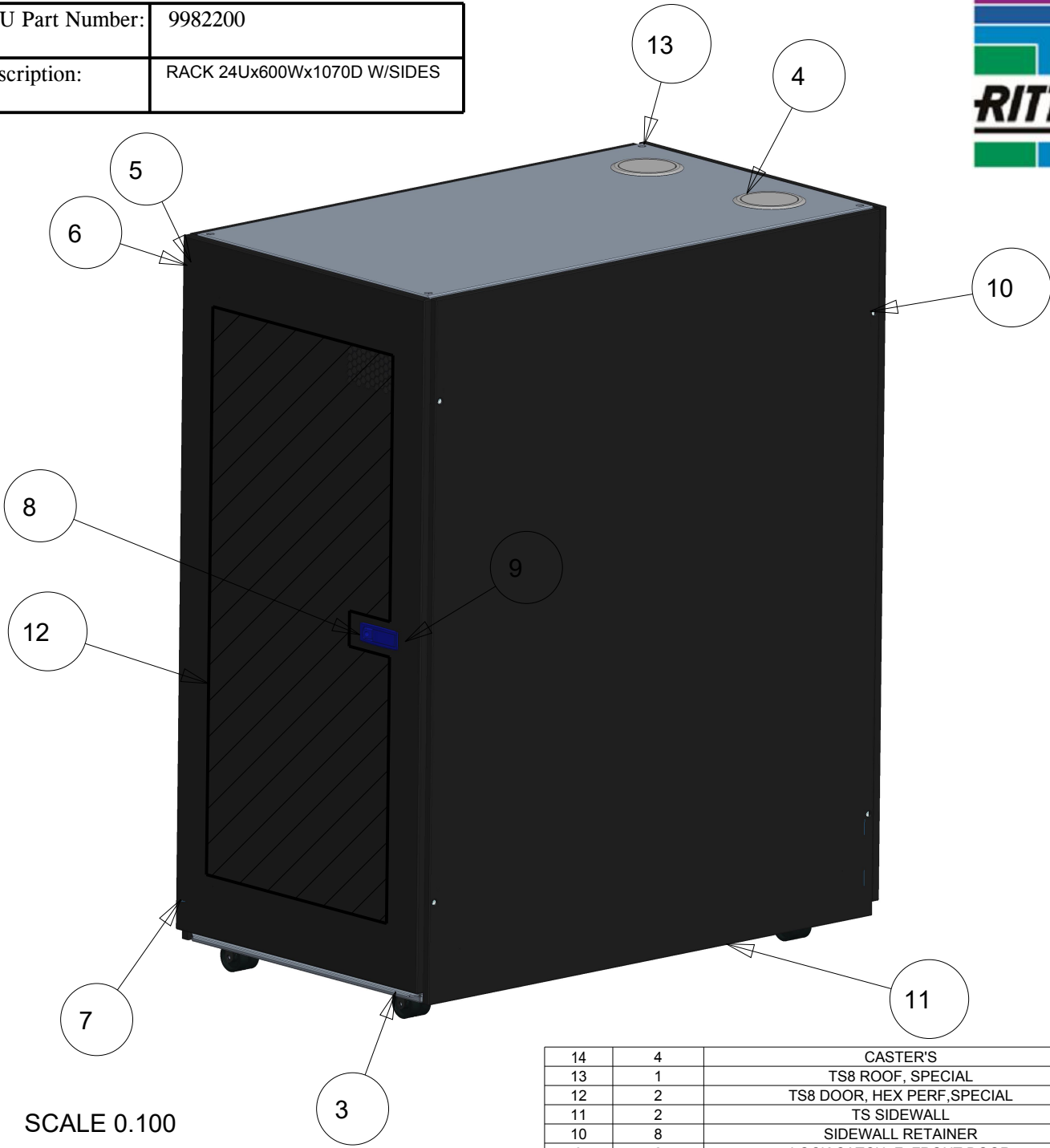
ALL DIMENSIONS ARE REFERENCE ONLY



Rittal Specification Sheet



SKU Part Number:	9982200
Description:	RACK 24Ux600Wx1070D W/SIDES



SCALE 0.100

RITTAL LLC	
RACK 24Ux600Wx1070D W/SIDES	
PRODUCT NUMBER:	REV
D9982200	00
RITTAL -LLC, US.	

ALL DIMENSIONS ARE REFERENCE ONLY

ITEM	QTY	DESCRIPTION	PART No.
14	4	CASTER'S	
13	1	TS8 ROOF, SPECIAL	
12	2	TS8 DOOR, HEX PERF, SPECIAL	
11	2	TS SIDEWALL	N/A
10	8	SIDEWALL RETAINER	0243779
9	2	LOCK CATCH, F. FRONT DOOR	470647
8	2	KIT, LOCK, 6MM THROW,	
7	2	HINGE ASSEMBLY REAR DOOR 2	416342
6	2	HINGE ASSEMBLY REAR DOOR 1	414456
5	4	HINGE (BODY) ASM 130DEG TYP1	0274958
4	2	GROMMET, POP-OUT, BLK	0053776
3	1	FRAME WELDMENT, PAINTED 24Ux600Wx1075D	438457
2	2	EIA RAIL, 19"RH, 24U, PRINT	0059386
1	2	EIA RAIL, 19" LH, 24U, PRINT	0059389
ITEM	QTY	DESCRIPTION	PART No.
BILL OF MATERIALS			

ENCLOSURES

POWER DISTRIBUTION

CLIMATE CONTROL

IT INFRASTRUCTURE

SOFTWARE & SERVICES

FRIEDHELM LOH GROUP