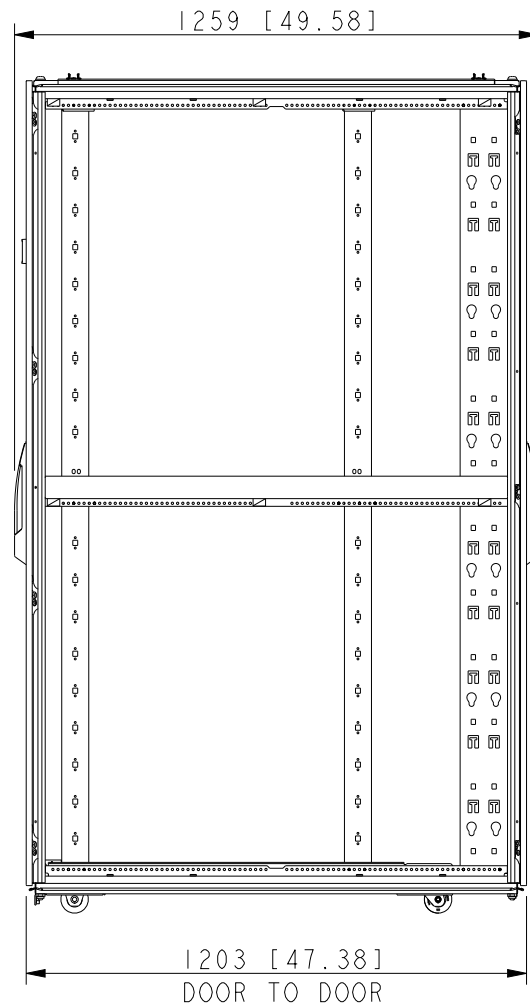
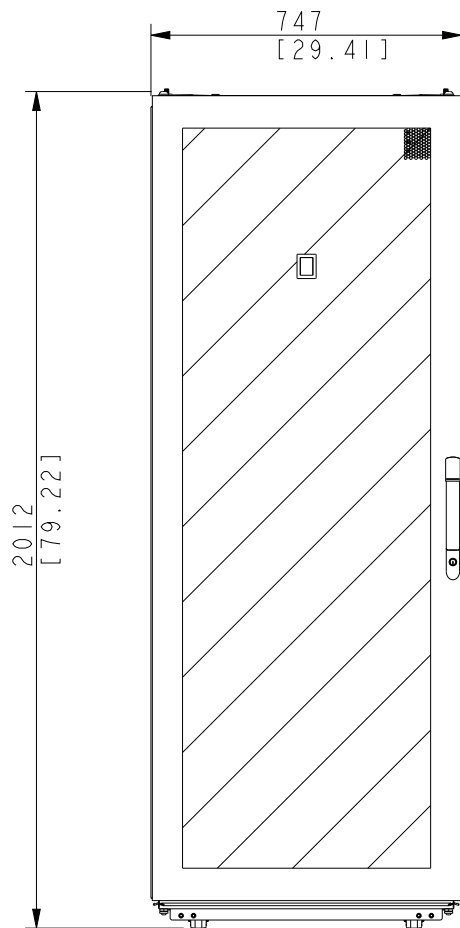
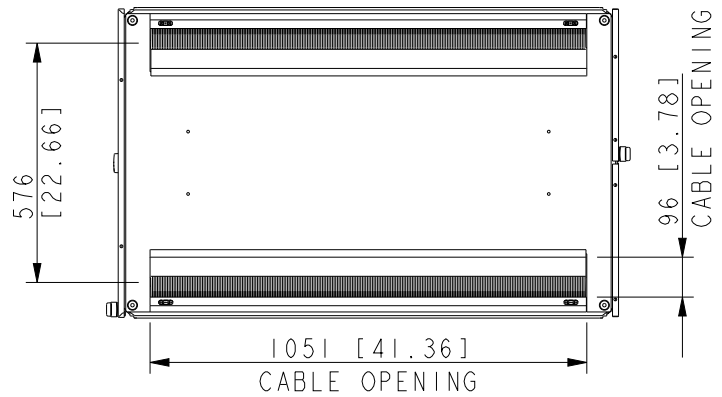


Rittal Specification Sheet



Part Number:	9982209
Revision:	A
Description:	TS IT Pro 42Ux750Wx1200D RAL9005 BLACK WITHOUT SIDES
Rack Weight: (Unpackaged)	156Kg (344lbs)



TS IT Pro Rack	
SPECIFICATION FOR: TS IT Pro 42U0750W1200D RAL9005 Without SIDES	
9982209	
RITTAL	

ALL DIMENSIONS ARE REFERENCE ONLY.

ENCLOSURES

POWER DISTRIBUTION

CLIMATE CONTROL

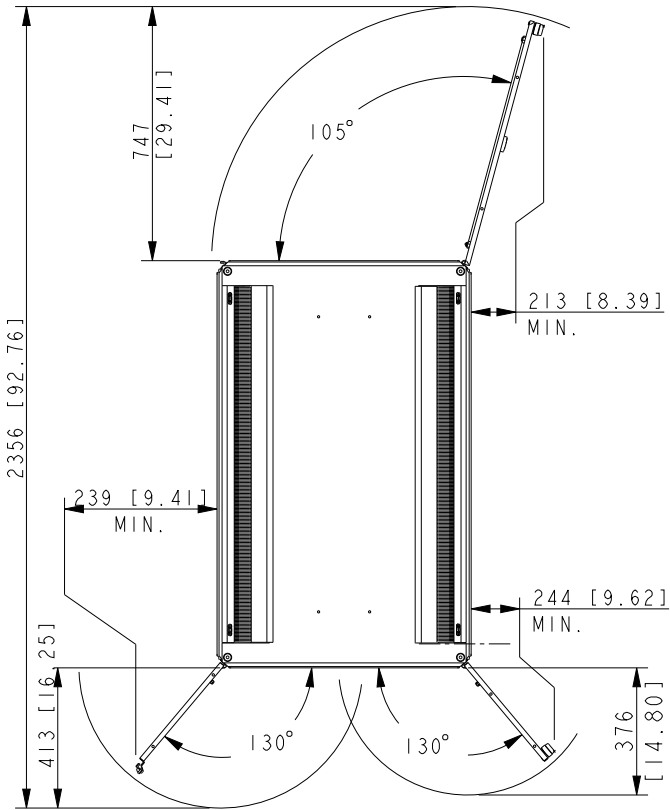
IT INFRASTRUCTURE

SOFTWARE & SERVICES

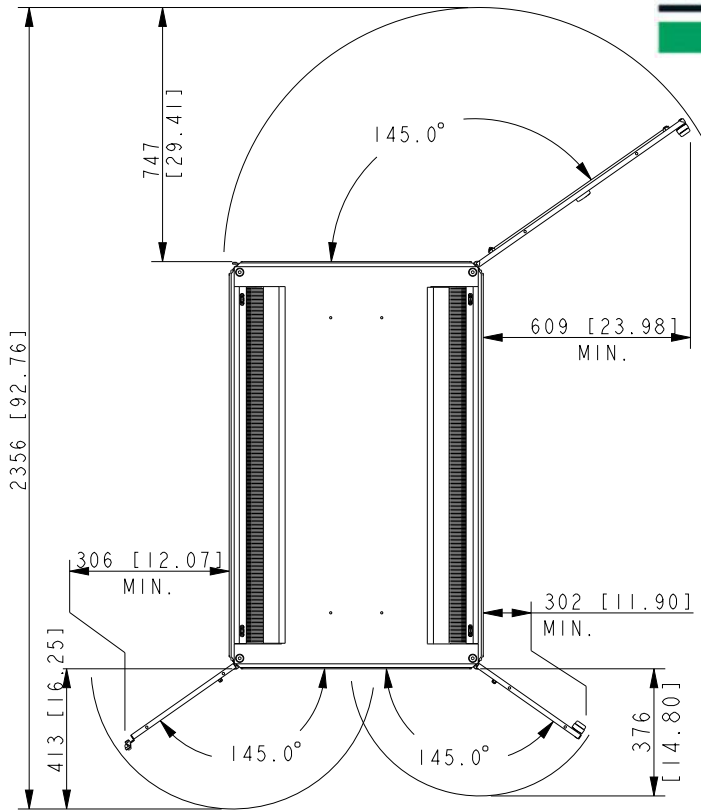


Rittal Specification Sheet

Door opening details

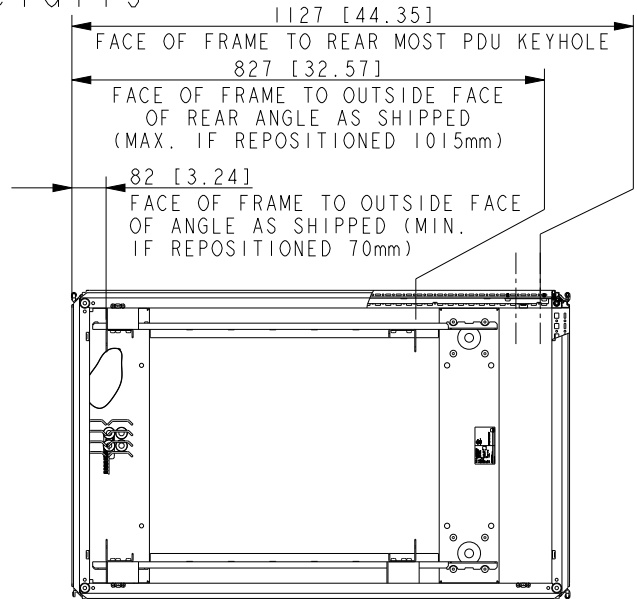
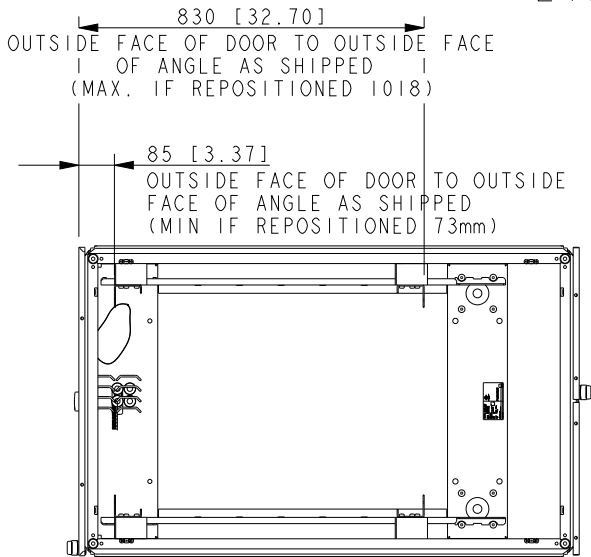


Doors maximum opening angles when bayed showing minimum required space for opening doors



Doors maximum opening angles when not bayed showing minimum required space for opening doors

EIA rail details



TS IT Pro Rack	
SPECIFICATION FOR: TS IT Pro 42U0750W1200D RAL9005 Without SIDES	
9982209	
RITTAL	

ALL DIMENSIONS ARE REFERENCE ONLY.

ENCLOSURES

POWER DISTRIBUTION

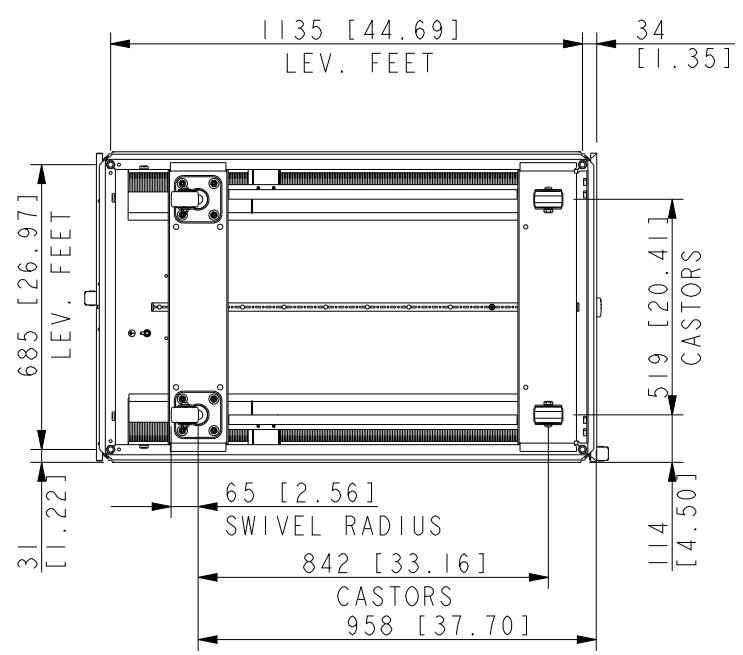
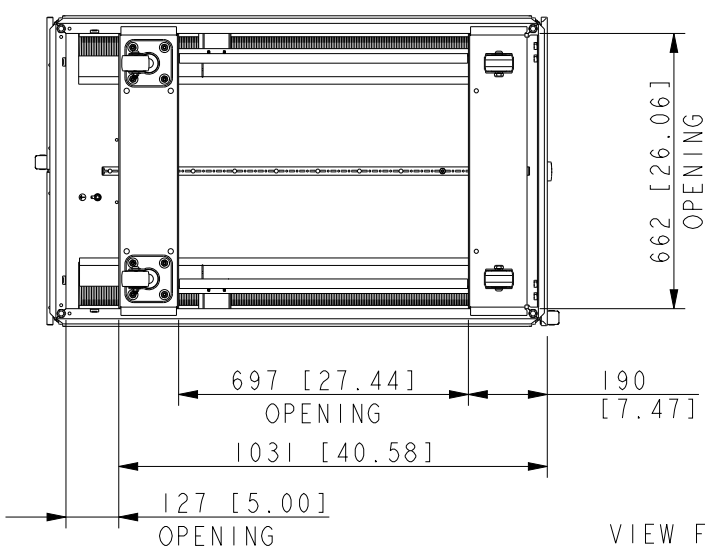
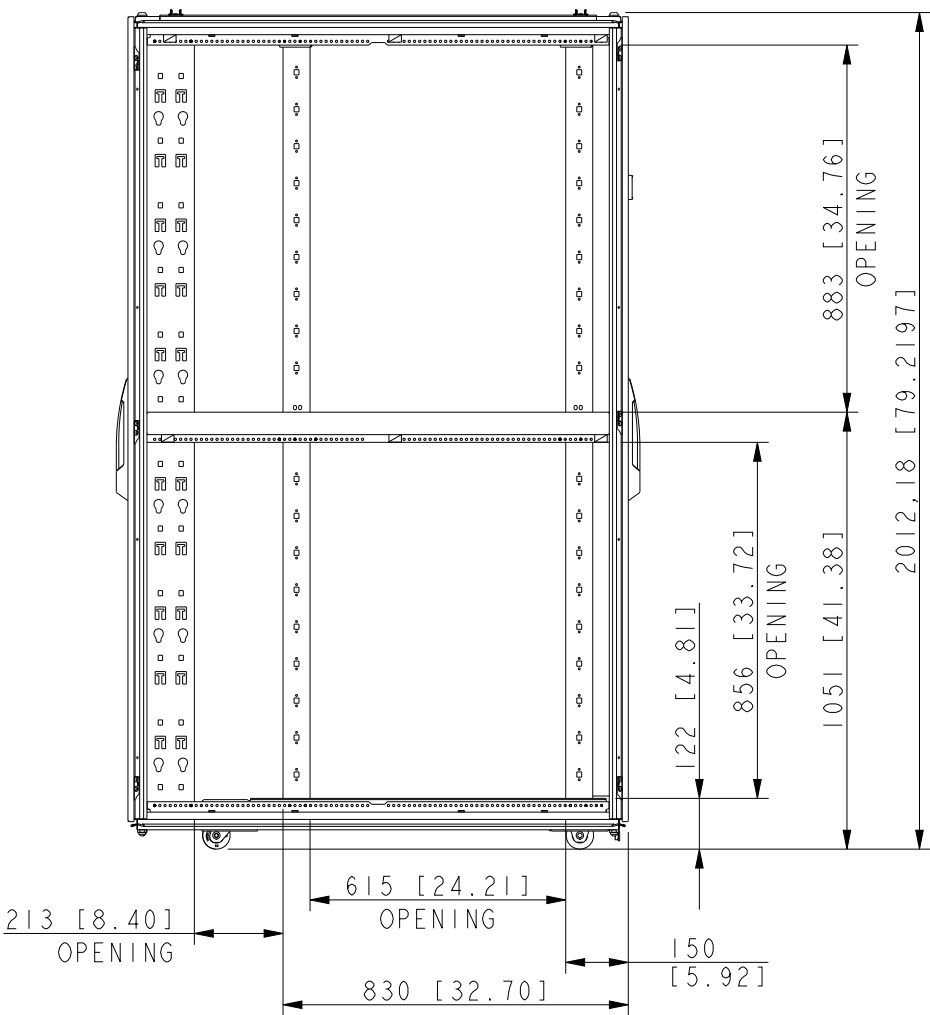
CLIMATE CONTROL

IT INFRASTRUCTURE

SOFTWARE & SERVICES



Rittal Specification Sheet



VIEW FROM BOTTOM SHOWING CASTORS AND OPENINGS

TS IT Pro Rack	
SPECIFICATION FOR: TS IT Pro 42U0750W1200D RAL9005 Without SIDES	
9982209	
RITTAL	

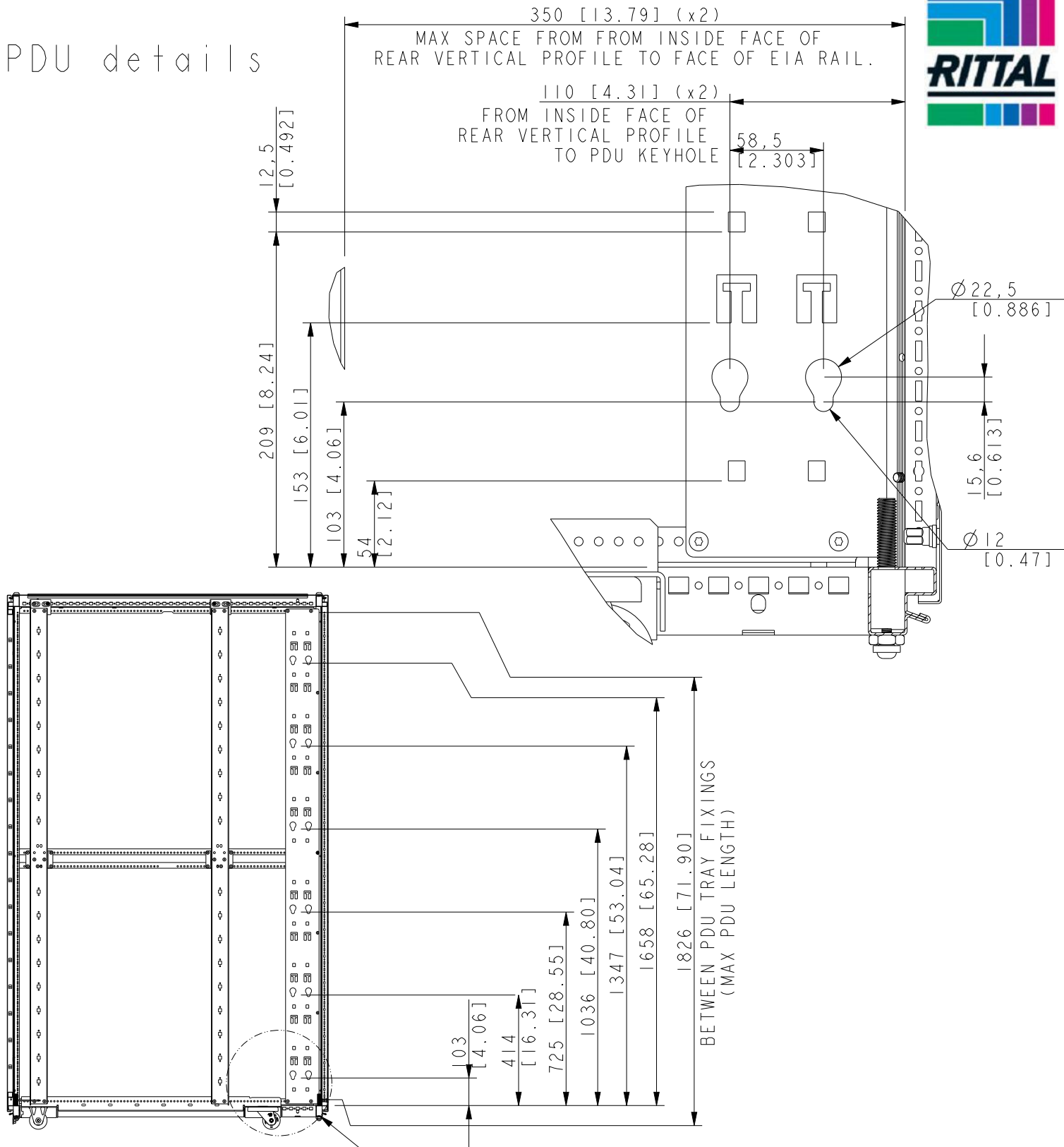
ALL DIMENSIONS ARE REFERENCE ONLY.



Rittal Specification Sheet



PDU details



SEE DETAIL A

TS IT Pro Rack	
SPECIFICATION FOR: TS IT Pro 42U0750W1200D RAL9005 Without SIDES	
9982209	
RITTAL	

ALL DIMENSIONS ARE REFERENCE ONLY.

ENCLOSURES

POWER DISTRIBUTION

CLIMATE CONTROL

IT INFRASTRUCTURE

SOFTWARE & SERVICES

