

Rittal – The System.

Faster – better – everywhere.

Caster Plates

TS 9967480

TS 9967481

TS 9967482

TS 9967483

TS 9967484

TS 9967485



Assembly instructions

ENCLOSURES

POWER DISTRIBUTION

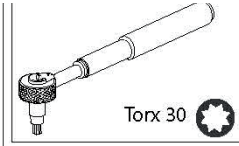
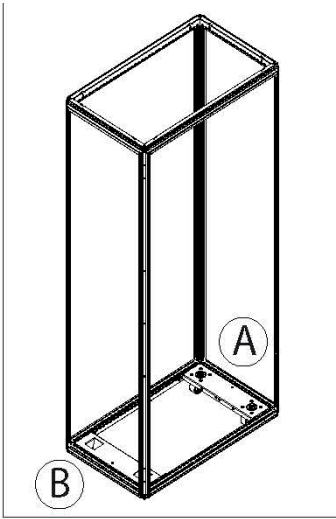
CLIMATE CONTROL

IT INFRASTRUCTURE

SOFTWARE & SERVICES

FRIEDHELM LOH GROUP



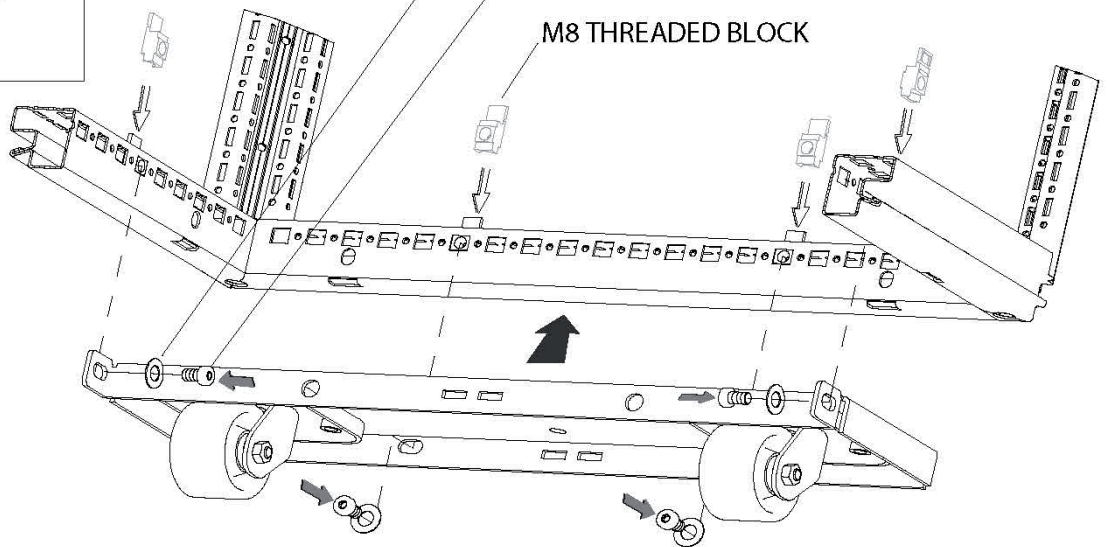


WASHER,8.4 INT.SERRATED LOCK

M8 SOC LOW HD SCREW

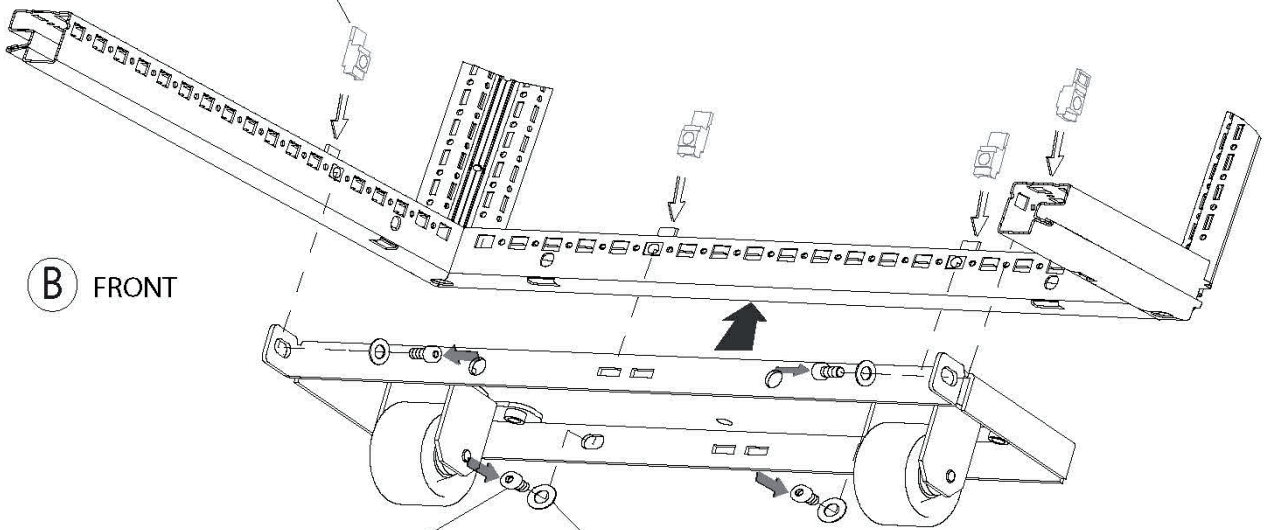
M8 THREADED BLOCK

A BACK



M8 THREADED BLOCK

B FRONT



M8 SOC LOW HD SCREW

WASHER,8.4 INT.SERRATED LOCK

CASTER PLATES

Rittal – The System.

Faster – better – everywhere.

- Enclosures
- Power distribution
- Climate control
- IT infrastructure
- Software & services

Rittal Corporation

Woodfield Corporate Center
425 North Martingale Road, Suite 400 • Schaumburg, Illinois 60173 • USA
Phone: 937-399-0500 • Toll-free: 800-477-4000
Email: rittal@rittal.us • Website: www.rittal.us

ENCLOSURES

POWER DISTRIBUTION

CLIMATE CONTROL

IT INFRASTRUCTURE

SOFTWARE & SERVICES

FRIEDHELM LOH GROUP

