

**120V, 60Hz  
Florescent Light:**

**9968108**

**9968109**

**9968110**

**9968111**

**9968112**

**9968113**

**Assembly Instructions**

***Switch to perfection***



**RITTAL**

Mounting hardware included.

Tools required for installation - 5/16" socket or wrench, straight blade or Phillips screwdriver

**WARNING!** - Turn off power source before beginning installation of light.

1 - Remove light from carton.

2 - Remove lens by squeezing sides, and pulling out of retainer, Remove lamp (see figure 1),

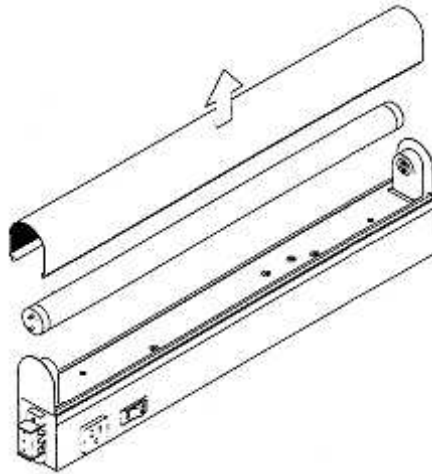


Figure 1

3 - Open cover on terminal block and attach wires to appropriate terminals (using screwdriver) per marking on terminal block. Tighten screws down on wires using screwdriver and close cover. Be careful not to leave any bare wire exposed outside of cover.

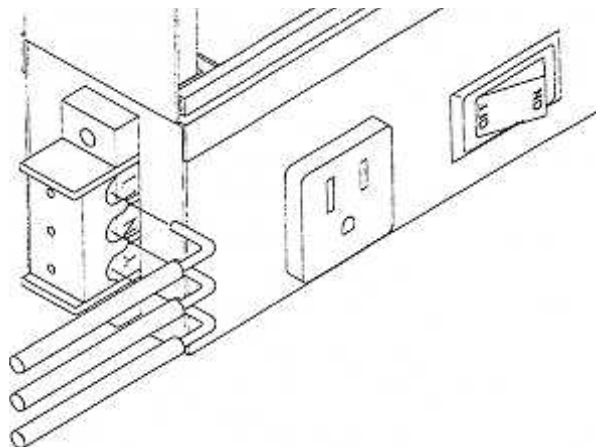


Figure 2

5 - Attach light to cabinet with #12 x 3" screws supplied. Use 5/16" wrench or socket to tighten screws.

6 - Install lamp and lens in reverse order in which they were removed (see figure 3).

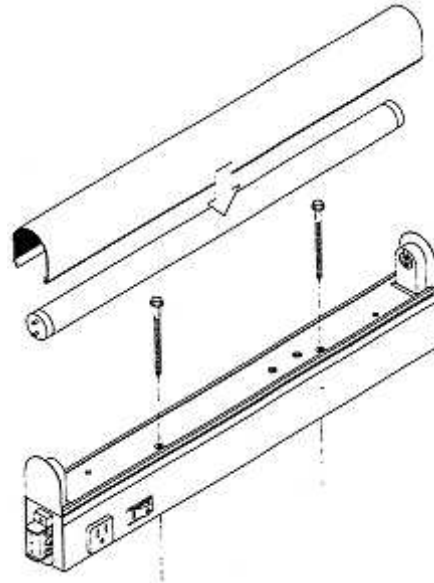


Figure 3

Part Number		Installation Length	Technical Data
With interference suppression capacitor (bulb cover and receptacle not included)	With RFI filter, bulb cover and 120V receptacle (5-15R)		
<b>9968.108</b>	<b>9968.111</b>	18.3" / 467 mm	15W, 120 V, 60 Hz
<b>9968.109</b>	<b>9968.112</b>	24.41" / 620 mm	18W, 120 V, 60 Hz

Rittal Corporation - One Rittal Place - Springfield - Ohio - 45504

Toll Free : 1-800-637-4425 - Email : [rittal@rittal-corp.com](mailto:rittal@rittal-corp.com) - Internet : [www.rittal-corp.com](http://www.rittal-corp.com) - Tech. Sup. : 1-800-637-4425